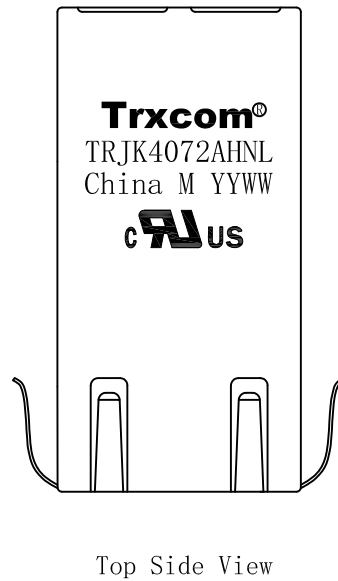
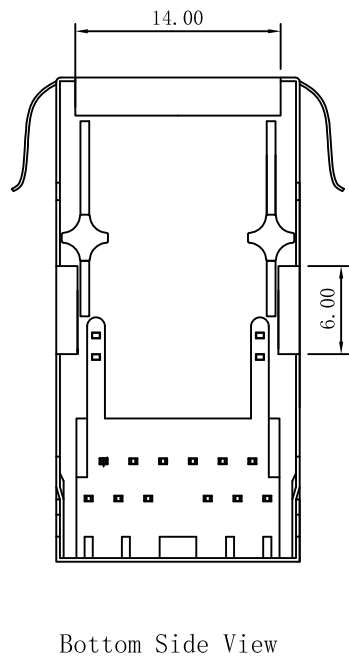
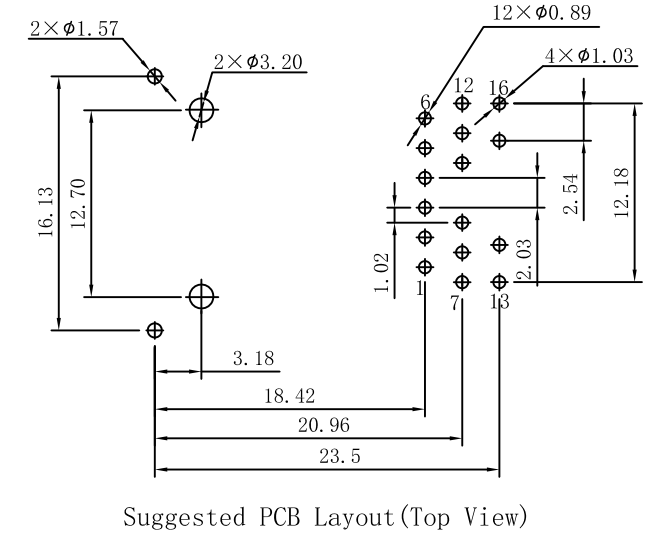
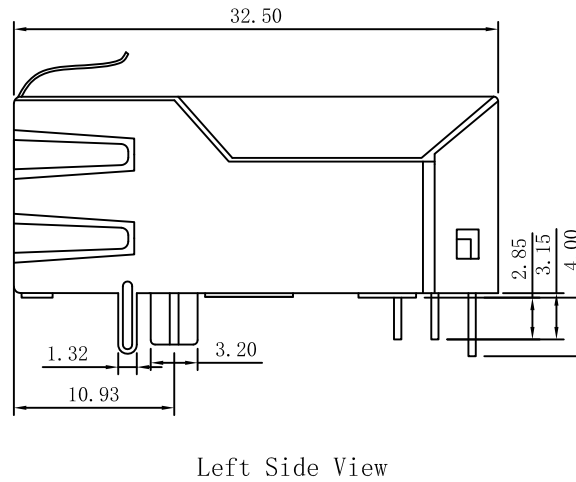
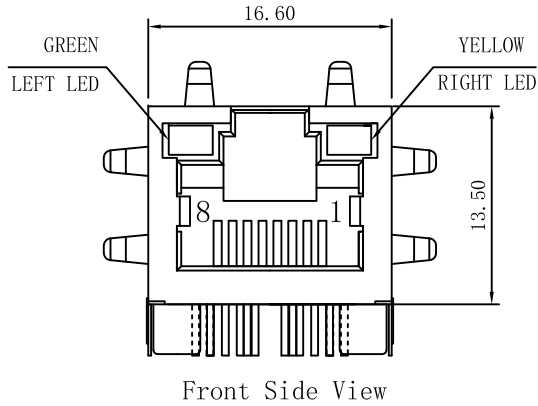


# Mechanical :

REV.	ECN NO.	DESCRIPTION	DATE	APPD
A	REL		2008-11-06	



## NOTES:

1. Designed to support application, such as SOHO (ADSL modems), LAN-on-Motherboard (LOM), hub and Switches.
2. Meets IEEE 802.3 specification
3. Connector Materials:  
Housing: Thermoplastic UL94V-0  
Contact/Shield: Copper alloy  
Shield plating: Nickel  
Contact plating: Gold 6 micro-inches Min. In contact area.
4. Wave peak temperature: 260°C Max, 5Sec Max.
5. UL Certification: File Number E321120.

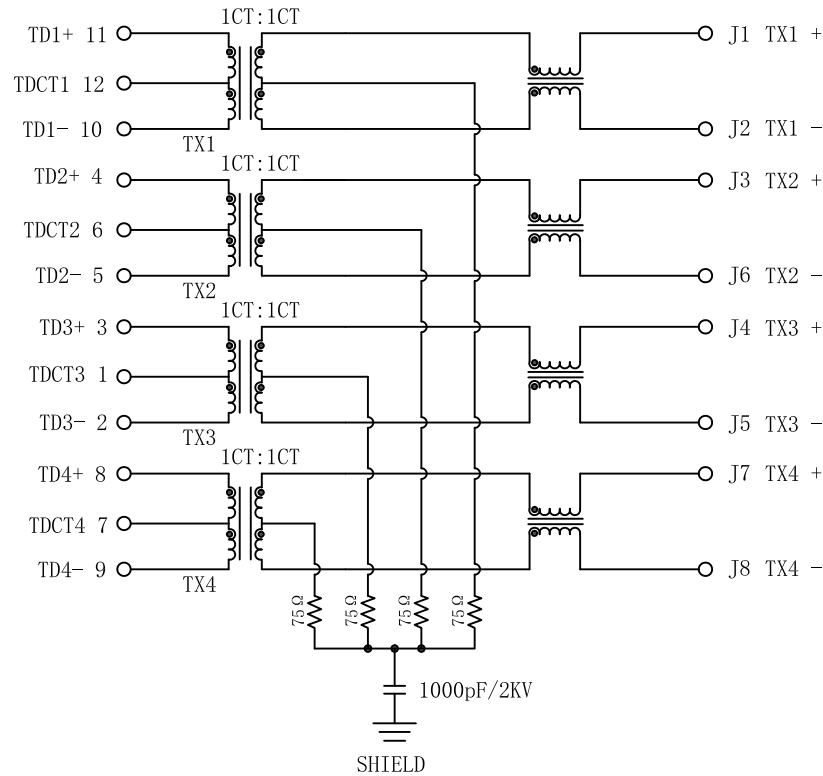


X:X ±0.25	APPD:	<b>Trxcom</b> Huizhou Trxcom Electronics Co., Ltd.
X:XX ±0.20	CHKD:	
X:XXX ±0.05	DR: SEA	TITLE: RJ45 Connector with 1000 Base-T Integrated Magnetics
ANGLES ±1°	UNIT: mm	PART NO.: TRJK4072AHNL
	SCALE: 2/1	SHEET: 1/4
	REV: A	DWG NO.: TRC08110650

# Schematic:

REV.	ECN NO.	DESCRIPTION	DATE	APPD
A	REL		2008-11-06	

PC BOARD CONNECTIONS

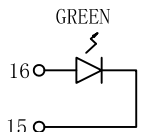


RJ45 CONNECTOR

## Electrical Specifications @25°C

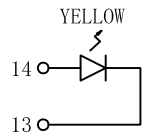
- Turns Ratio ( $\pm 2\%$ ):  
Pri:Sec = 1CT:1CT
- OCL (@100KHz, 100mV, 8mA DC Bias):  
350uH min
- Insertion Loss:  
1~100MHz: -1.0dB max
- Return Loss (dB min):  
1~10MHz: -20 ; 30MHz: -16  
60~80MHz: -12 ; 80~100MHz: -10
- Crosstalk (dB min):  
1~10MHz: -40 ; 32~65MHz: -35  
65~100MHz: -30
- CMR (dB min):  
1~125MHz: -30 ; 125~500MHz: -20
- Hi-Pot: 1500Vrms @60Hz
- Operating Temperature: -40°C ~ +85°C.

Emitting Color	$\lambda$ p(nm)	VF@IF=20mA	IR @VR=5V
GREEN	565	1.8~2.6V	10 $\mu$ A max
YELLOW	585	1.8~2.6V	10 $\mu$ A max



LEFT LED

LED POLARITY		COLOR
PIN 16	PIN 15	
+	-	GREEN



RIGHT LED

LED POLARITY		COLOR
PIN 14	PIN 13	
+	-	YELLOW

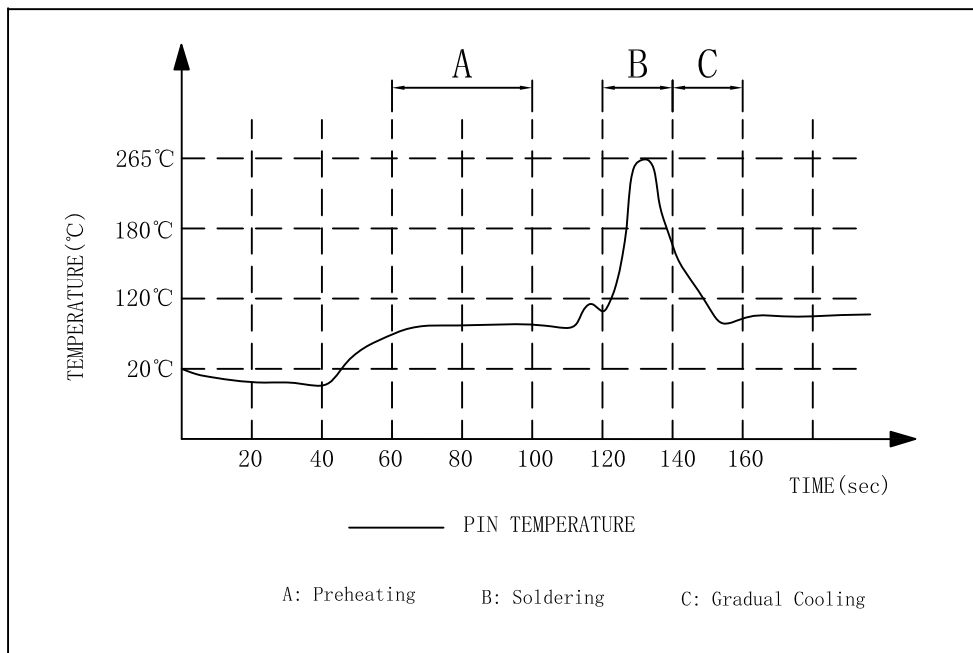


X:X	$\pm 0.25$	APPD:	<b>Trxcom</b> Huizhou Trxcom Electronics Co., Ltd.
X:XX	$\pm 0.20$	CHKD:	
X:XXX	$\pm 0.05$	DR: SEA	TITLE: RJ45 Connector with 1000 Base-T Integrated Magnetics
ANGLES	$\pm 1^\circ$	UNIT: mm	PART NO.: TRJK4072AHNL
	SCALE: 2/1	SHEET: 2/4	REV: A DWG NO.: TRC08110650

# Profile of wave solder:

REV.	ECN NO.	DESCRIPTION	DATE	APPD
A	REL		2008-11-06	

## SUGGESTED PROFILE OF WAVE SOLDER FOR ROHS PRODUCT

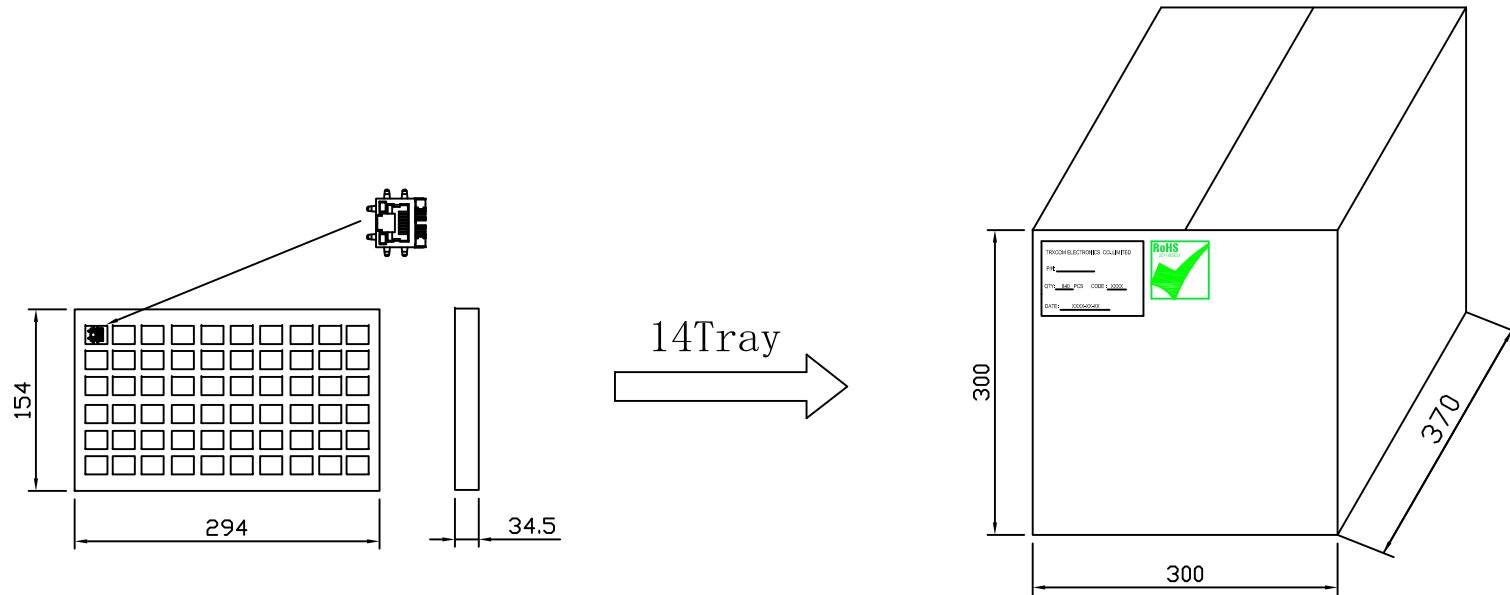


- (1) Tip Temperature: 265°C max
  - (2) Tip Temperature time: 5sec max
- Note: The melting point of Tin: 219°C

X:X ±0.25	APPD:	<b>Trxcom</b> Huizhou Trxcom Electronics Co.,Ltd.
X:XX ±0.20	CHKD:	
X:XXX ±0.05	DR: SEA	TITLE: RJ45 Connector with 1000 Base-T Integrated Magnetics
ANGLES ±1°	UNIT: mm	PART NO.: TRJK4072AHNL
	SCALE: 2/1	SHEET: 3/4
	REV: A	DWG NO.: TRC08110650

Packaging:

REV.	ECN NO.	DESCRIPTION	DATE	APPD
A	REL		2008-11-06	



- ◆ Packaging unit :60pcs/tray
- ◆ Packaging material:PVC
- ◆ Outer carton unit:840pcs/14tray/box
- ◆ Net Weight:7kg
- ◆ Gross Weight:9kg

X:X	±0.25	APPD:	<b>Trxcom</b> Huizhou Trxcom Electronics Co.,Ltd.		
X:XX	±0.20	CHKD:			
X:XXX	±0.05	DR: SEA	TITLE: 1*1 33.02 RJ45 PACKING		
ANGLES	±1°	UNIT: mm	PART NO. : TRJK4072AHNL		
		SCALE: 2/1	SHEET: 4/4	REV: A	DWG NO. : TRC08110650