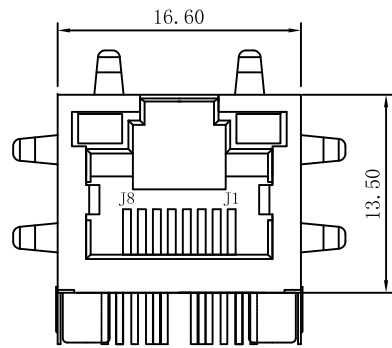
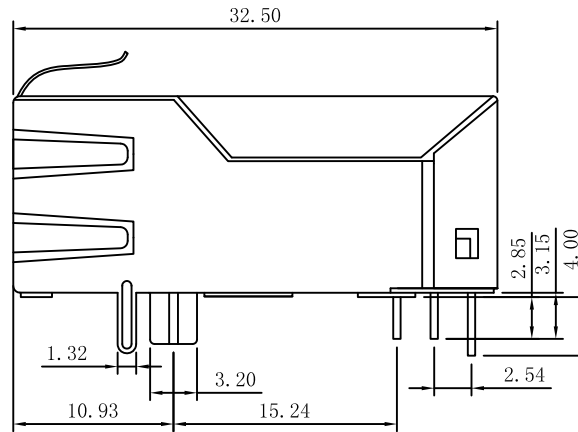
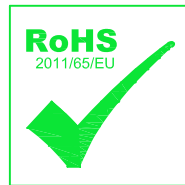


# Mechanical :

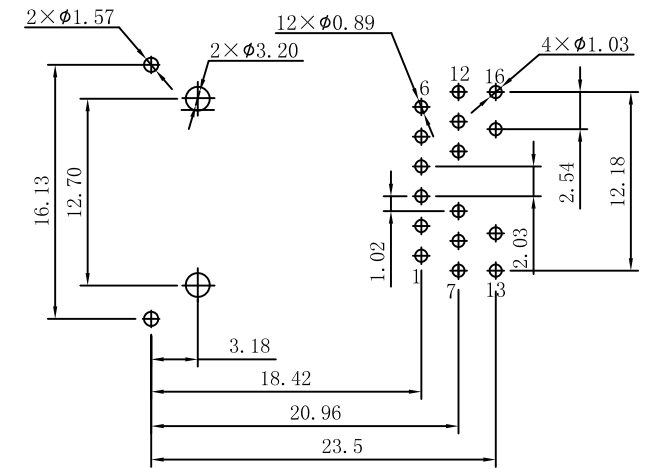
REV.	ECN NO.	DESCRIPTION	DATE	APPD
A	REL		2015-05-08	



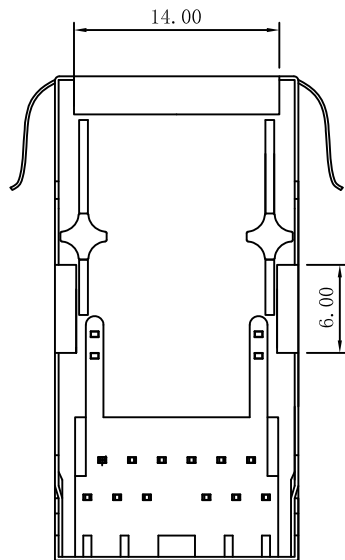
Front Side View



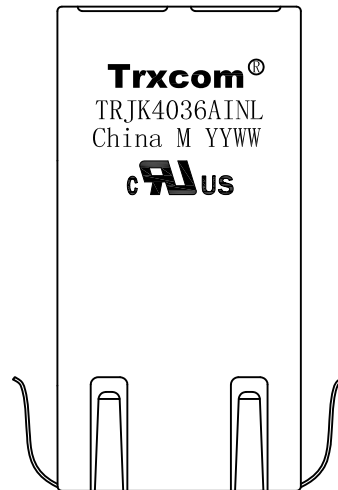
Left Side View



Suggested PCB Layout (Top View)



Bottom Side View



Top Side View

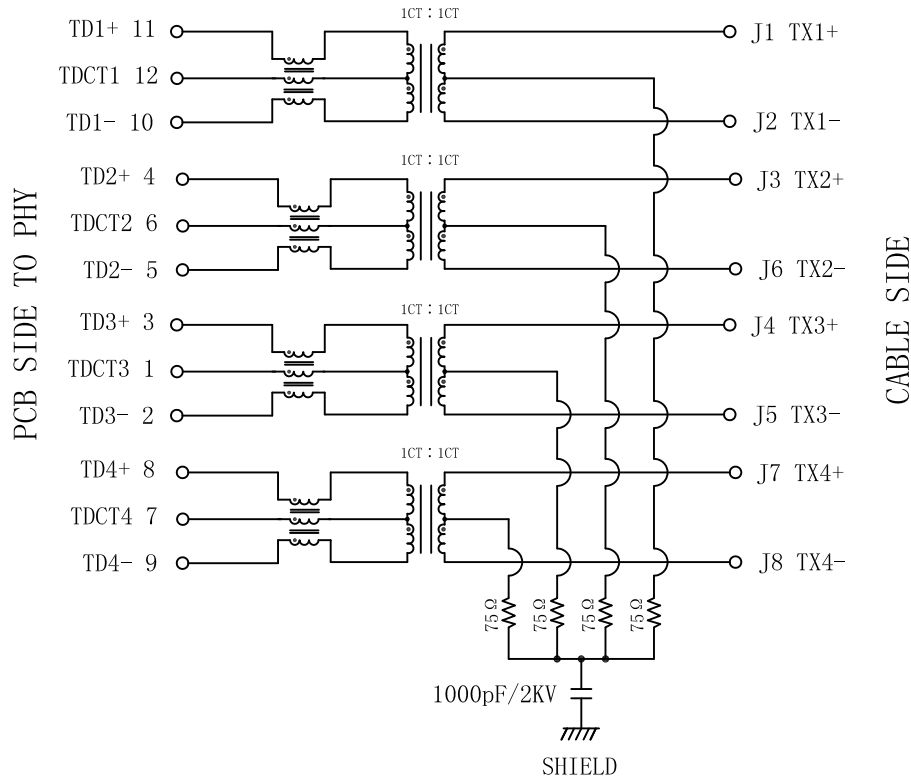
## NOTES:

1. Designed to support application, such as SOHO (ADSL modems), LAN-on-Motherboard (LOM), hub and Switches.
2. Meets IEEE 802.3 specification
3. Connector Materials:  
Housing: Thermoplastic UL94V-0  
Contact/Shield: Copper alloy  
Shield plating: Nickel  
Contact plating: Gold 6 micro-inches Min. In contact area.
4. Wave peak temperature: 260°C Max, 5Sec.
5. UL Certification: File Number E321120.

X:X	±0.25	APPD:	<b>Trxcom</b> Huizhou Trxcom Electronics Co., Ltd.	
X:XX	±0.20	CHKD:		
X:XXX	±0.05	DR: SEA	TITLE: RJ45 Connector with 1000 Base-T Integrated Magnetics	
ANGLES	±1°	UNIT: mm	PART NO.: TRJK4036AINL	
	SCALE: 2/1	SHEET: 1/4	REV: A	DWG NO.: TRC14112861

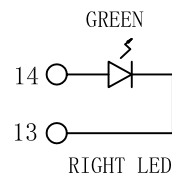
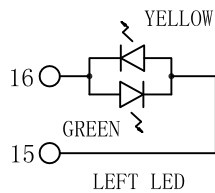
# Schematic:

REV.	ECN NO.	DESCRIPTION	DATE	APPD
A	REL		2015-05-08	



## ELECTRICAL SPECIFICATIONS @25°C

- Turn Ratio( $\pm 3\%$ ):  
TX = 1CT : 1CT      RX = 1CT : 1CT
- Inductance OCL:  
350uH Min @ 100KHz 0.1V 8mA DC Bias.
- DCR: 1.2  $\Omega$  Max.
- Insertion Loss:  
-1.0dB Max @1~100MHz
- Return Loss:  
-18dB Min @1~30MHz  
-15dB Min @30~60MHz  
-12dB Min @60~100MHz
- Cross talk:  
-40dB Min @1~30MHz  
-35dB Min @30~60MHz  
-30dB Min @60~100MHz
- Common Mode Rejection:  
-30dB Min @1~50MHz  
-20dB Min @50~150MHz
- Operating voltage: 3.3-5V  
Current: 350mA.
- Hipot Test: 1500Vrms
- Operating Temperature Range: -40°C ~ +85°C.



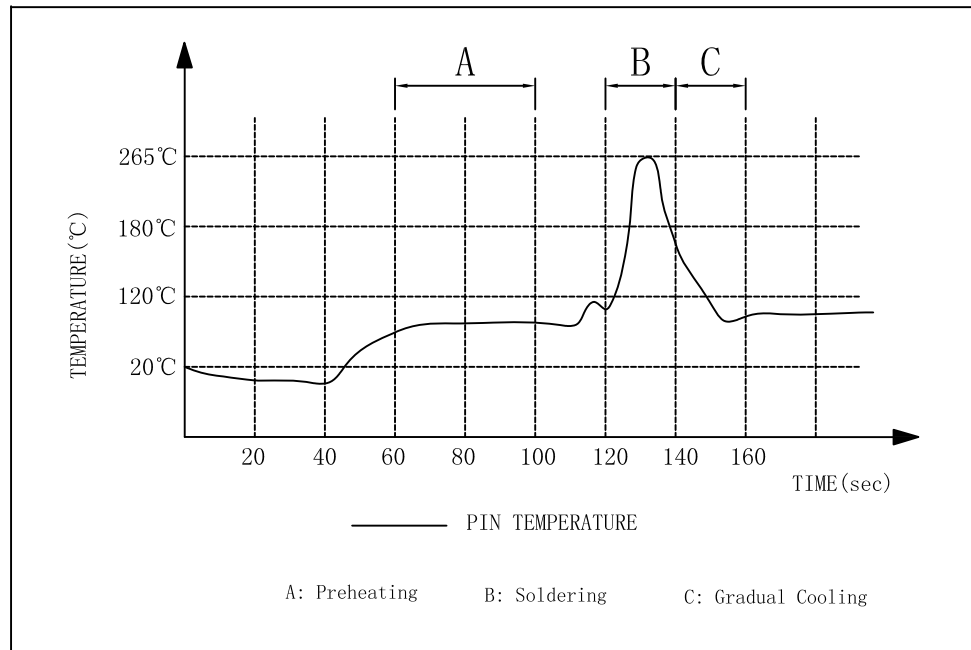
Emitting Color	$\lambda_p$ (nm)	V <sub>F</sub> @I <sub>F</sub> =20mA	I <sub>R</sub> @V <sub>R</sub> =5V
GREEN	565	1.8~2.6V	10 $\mu$ A max
YELLOW	585	1.8~2.6V	10 $\mu$ A max

X:X	$\pm 0.25$	APPD:	<b>Trxcom</b> Huizhou Trxcom Electronics Co.,Ltd.	
X:XX	$\pm 0.20$	CHKD:		
X:XXX	$\pm 0.05$	DR: SEA	TITLE: RJ45 Connector with 1000 Base-T Integrated Magnetics	
ANGLES	$\pm 1^\circ$	UNIT: mm	PART NO.: TRJK4036AINL	
	SCALE: 2/1	SHEET: 2/4	REV: A	DWG NO.: TRC14112861

# Profile of wave solder:

REV.	ECN NO.	DESCRIPTION	DATE	APPD
A	REL		2015-05-08	

## SUGGESTED PROFILE OF WAVE SOLDER FOR ROHS PRODUCT

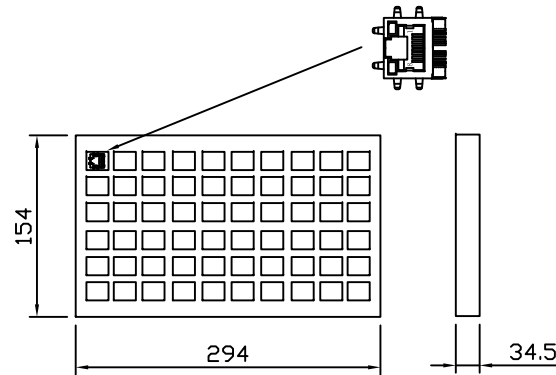


- (1) Tip Temperature: 265°C max
  - (2) Tip Temperature time: 5sec max
- Note: The melting point of Tin: 219°C

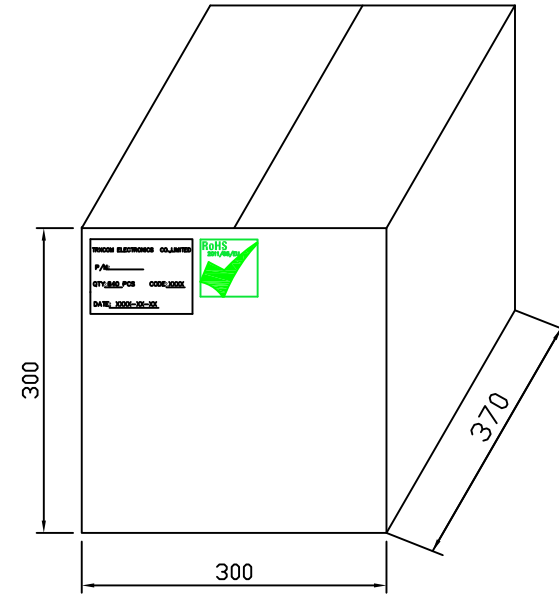
X:X ±0.25	APPD:	<b>Trxcom</b> Huizhou Trxcom Electronics Co., Ltd.
X:XX ±0.20	CHKD:	
X:XXX ±0.05	DR: SEA	TITLE: RJ45 Connector with 1000 Base-T Integrated Magnetics
ANGLES ±1°	UNIT: mm	PART NO.: TRJK4036AINL
	SCALE: 2/1	SHEET: 3/4
	REV: A	DWG NO.: TRC14112861

Packaging:

REV.	ECN NO.	DESCRIPTION	DATE	APPD
A	REL		2015-05-08	



14Tray →



- ◆ Packaging unit: 60pcs/tray
- ◆ Packaging material: PVC
- ◆ Outer carton unit: 840pcs/14tray/box
- ◆ Net Weight: 7kg
- ◆ Gross Weight: 9kg

X:X	±0.25	APPD:	<b>Trxcom</b>
X:XX	±0.20	CHKD:	
X:XXX	±0.05	DR: SEA	TITLE: 1*1 32.50mm RJ45 Packing
ANGLES	±1°	UNIT: mm	PART NO.: TRJK4036AINL
		SCALE: 2/1	SHEET: 4/4
		REV: A	DWG NO.: TRC14112861