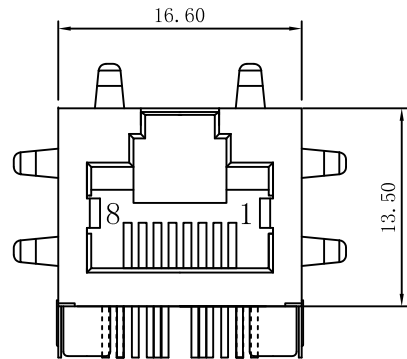
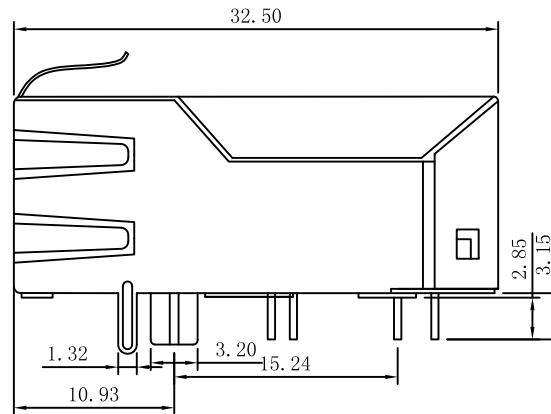


Mechanical :

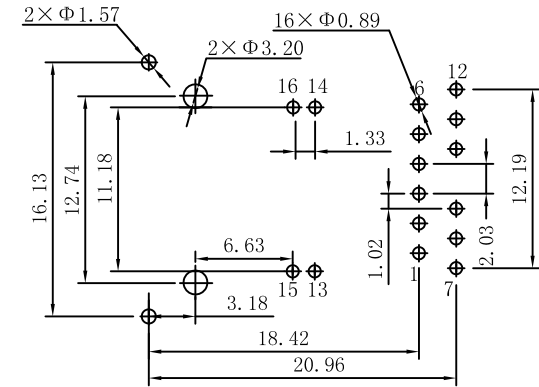
REV.	ECN NO.	DESCRIPTION	DATE	APPD
A	REL		2013-12-26	



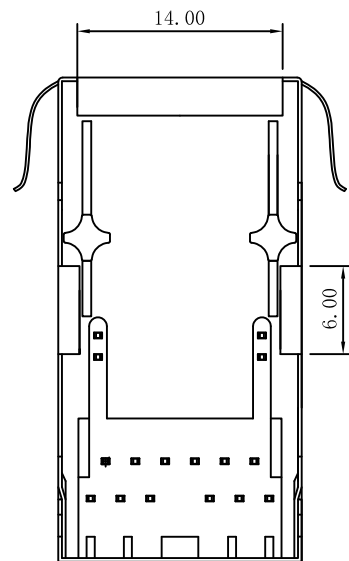
Front Side View



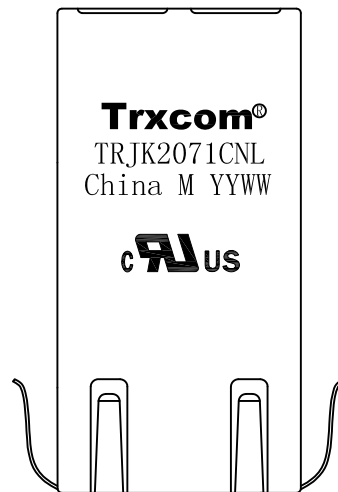
Left Side View



Suggested PCB Layout (Top View)



Bottom Side View



Top Side View

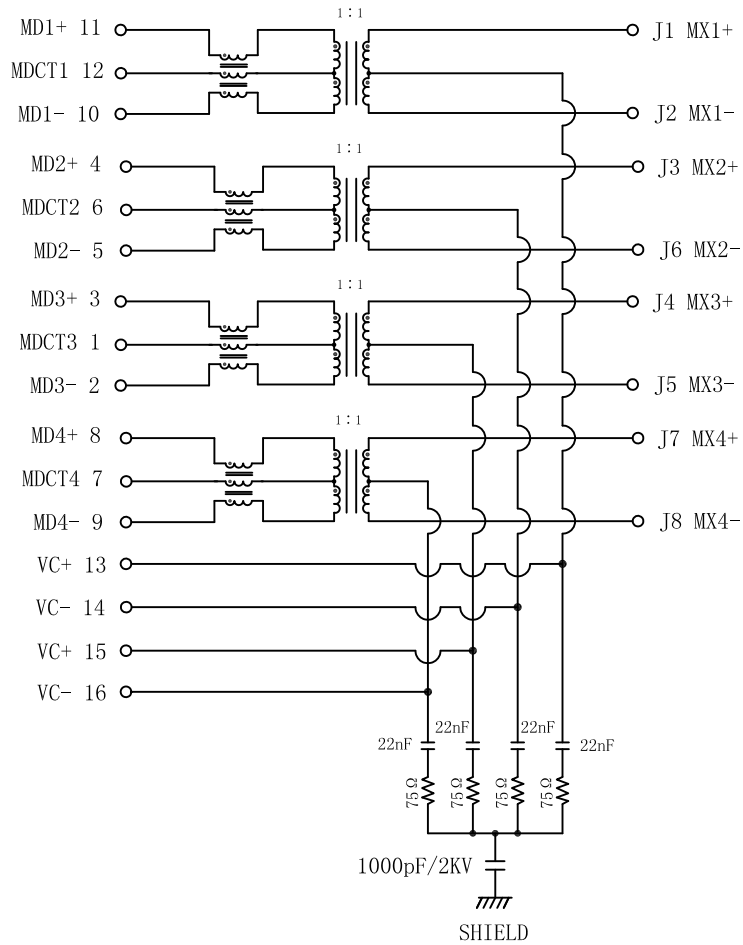
NOTES:

1. Designed to support application, such as SOHO (ADSL modems), LAN-on-Motherboard (LOM), hub and Switches.
2. Meets IEEE 802.3at specification
3. Connector Materials:
 Housing Material: Thermoplastic PBT+30%G. F UL94V-0
 Contact Material: Phosphor Bronze C5210R-EH Thickness=0.35mm
 Pins: Brass C2680R-H Thickness=0.35mm
 Shield: Copper alloy Brass H65Y Thickness=0.2mm
 Contact plating: Gold 6 micro-inches min. In contact area.
4. Wave solder tip temperature: 265°C Max, 5 Sec Max
5. UL Certification: File Number E321120

X:X ±0.30	APPD:	Trxcom Shenzhen Trxcom Electronics Co., Ltd.
X:XX ±0.25	CHKD:	
X:XXX ±0.05	DR: FRANK	TITLE: RJ45 Connector with 1000 Base-T Integrated Magnetics For PoE+ Application
ANGLES ±1°	UNIT: mm	PART NO.: TRJK2071CNL
	SCALE: 2/1	SHEET: 1/2
	REV: A	DWG NO.: TRC13122612

Schematic:

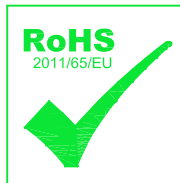
PCB SIDE TO PHY



CABLE SIDE

ELECTRICAL SPECIFICATIONS @25°C

- Turn Ratio($\pm 3\%$):
TX=1CT:1CT RX=1CT:1CT
- Inductance OCL:
350uH MIN @ 100KHz 0.1V 20mA DC Bias
- DCR:1.2 Ω MAX
- Insertion Loss:
-1.0dB MAX @ 1-100MHz
- Return Loss:
-18dB MIN @ 1-30MHz
-15dB MIN @ 30-60MHz
-12dB MIN @ 60-100MHz
- Cross talk:
-40dB MIN @ 1-30MHz
-35dB MIN @ 30-60MHz
-30dB MIN @ 60-100MHz
- Common Mode Rejection:
-30dB MIN @ 1-100MHz
- Balanced DC Line Current:
720mA Max @57VDC Continuous
1.2A Max @57VDC for 200 Miliseconds
- Hipot Test:1500Vrms
- Operating Temperature Range: 0°C TO 70°C



X:X	± 0.30	APPD:	Trxcom Shenzhen Trxcom Electronics Co.,Ltd.		
X:XX	± 0.25	CHKD:			
X:XXX	± 0.05	DR: FRANK	TITLE: RJ45 Connector with 1000 Base-T Integrated Magnetics For PoE+ Application		
ANGLES	$\pm 1^\circ$	UNIT: mm	PART NO.: TRJK2071CNL		
	SCALE: 2/1	SHEET: 2/2	REV: A	DWG NO.: TRC13122612	