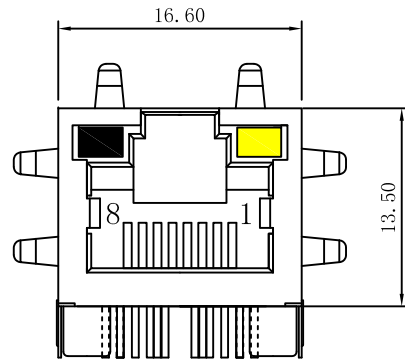
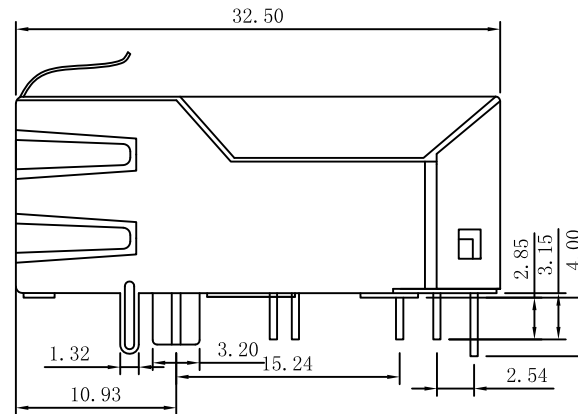


# Mechanical :

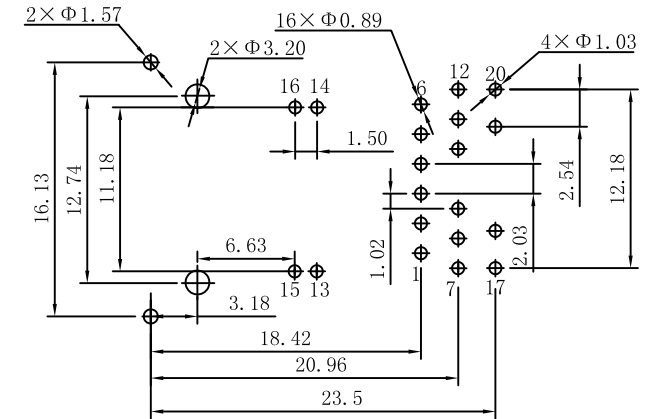
REV.	ECN NO.	DESCRIPTION	DATE	APPD
A	REL		2013-12-26	



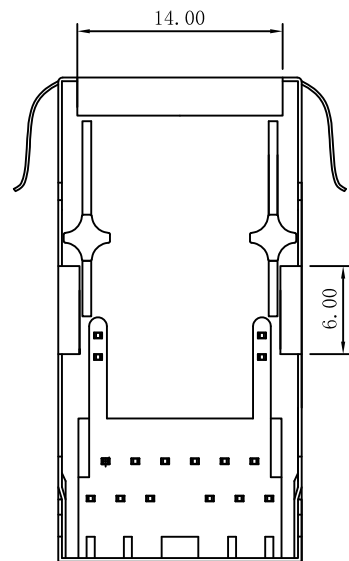
Front Side View



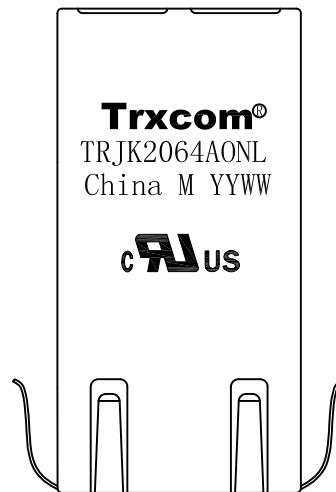
Left Side View



Suggested PCB Layout



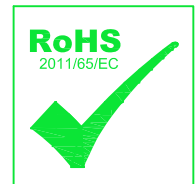
Bottom Side View



Top Side View

### NOTES:

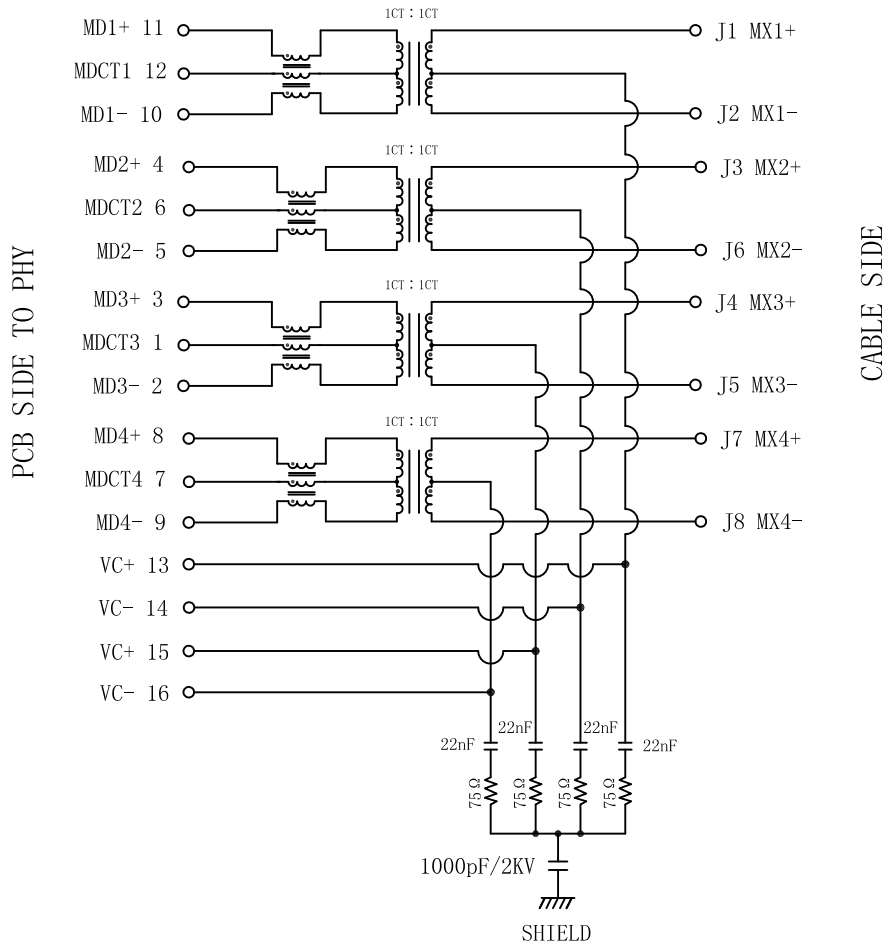
1. Meets IEEE 802.3af specification
2. Connector Materials:  
Housing: Thermoplastic UL94V-0  
Contact/Shield: Copper alloy  
Shield plating: Nickel  
Contact plating: Gold 6 micro-inches min. In contact area.
3. Wave solder tip temperature: 265°C Max, 5 Sec Max
4. UL Certification: File Number E321120



X:X	±0.25	APPD:	<b>Trxcom</b> Huizhou Trxcom Electronics Co., Ltd.	
X:XX	±0.20	CHKD:		
X:XXX	±0.05	DR: GRANT	TITLE: RJ45 Connector with 1000 Base-T Integrated Magnetics & PoE	
ANGLES	±1°	UNIT: mm	PART NO.: TRJK2064AONL	
	SCALE: 2/1	SHEET: 1/4	REV: A	DWG NO.: TRC13122603

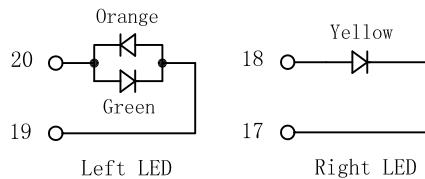
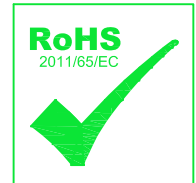
# Schematic:

REV.	ECN NO.	DESCRIPTION	DATE	APPD
A	REL		2013-12-26	



## ELECTRICAL SPECIFICATIONS @25°C

- Turn Ratio( $\pm 3\%$ ):  
1CT:1CT
- Inductance OCL:  
350uH MIN @ 100KHz 0.1V 8mA DC Bias
- DCR: 1.2  $\Omega$  MAX
- Insertion Loss:  
-1.0dB MAX @ 1-100MHz
- Return Loss:  
-18dB MIN @ 1-30MHz  
-15dB MIN @ 30-60MHz  
-12dB MIN @ 60-100MHz
- Cross talk:  
-40dB MIN @ 30MHz  
-35dB MIN @ 60MHz  
-30dB MIN @ 100MHz
- Common Mode Rejection:  
-30dB MIN @ 1-100MHz
- Hipot Test:1200Vrms
- Operating Temperature Range: 0°C TO 70°C



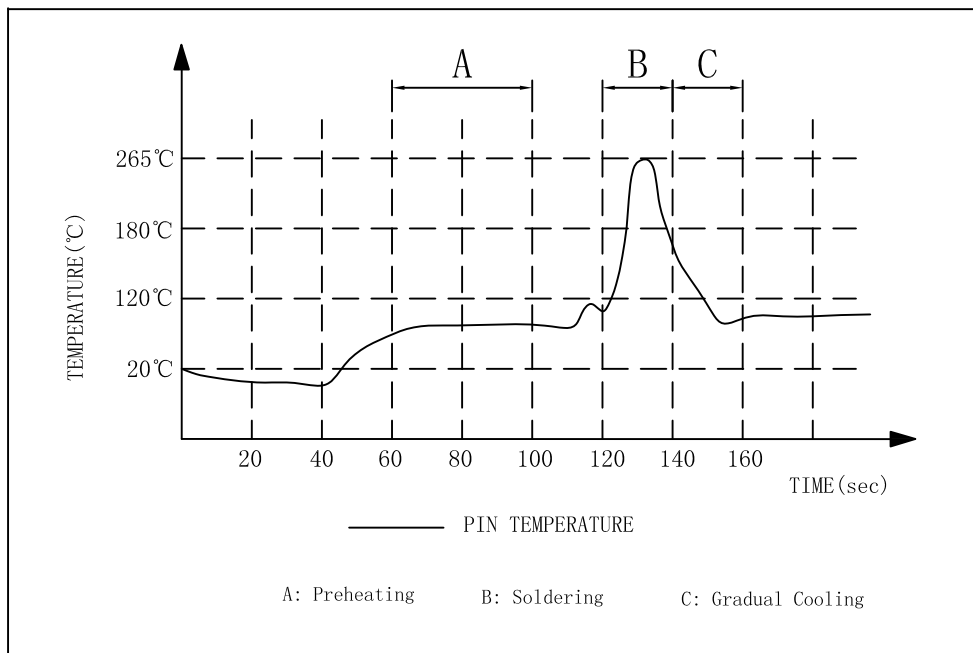
Emitting Color	$\lambda$ p(nm)	VF@IF=20mA	IR @VR=5V
Green	570	1.8~2.4V	10 $\mu$ A max
Yellow	590	1.8~2.4V	10 $\mu$ A max
Orange	590	1.8~2.4V	10 $\mu$ A max

X:X	$\pm 0.25$	APPD:	<b>Trxcom</b> Huizhou Trxcom Electronics Co.,Ltd.	
X:XX	$\pm 0.20$	CHKD:		
X:XXX	$\pm 0.05$	DR: GRANT	TITLE: RJ45 Connector with 1000 Base-T Integrated Magnetics & PoE	
ANGLES	$\pm 1^\circ$	UNIT: mm	PART NO. : TRJK2064AONL	
	SCALE: 2/1	SHEET: 2/4	REV: A	DWG NO. : TRC13122603

# Profile of wave solder:

REV.	ECN NO.	DESCRIPTION	DATE	APPD
A	REL		2013-12-26	

## SUGGESTED PROFILE OF WAVE SOLDER FOR ROHS PRODUCT

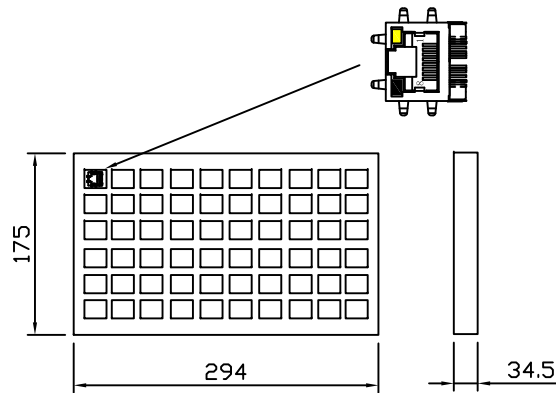


- (1) Tip Temperature: 265°C max
  - (2) Tip Temperature time: 5sec max
- Note: The melting point of Tin: 219°C

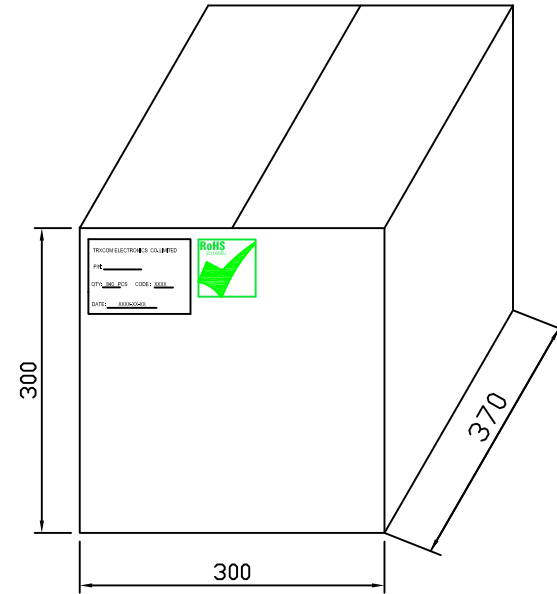
X:X	±0.25	APPD:	Trxcom	
X:XX	±0.20	CHKD:	HuiZhou Trxcom Electronics Co.,ltd	
X:XXX	±0.05	DR: GRANT	TITLE: RJ45 Connector with 1000 Base-T Integrated Magnetics & PoE	
ANGLES	±1°	UNIT: mm	PART NO. : TRJK2064AONL	
	SCALE: 2/1	SHEET: 3/4	REV: A	DWG NO. : TRC13122603

Packaging:

REV.	ECN NO.	DESCRIPTION	DATE	APPD
A	REL		2013-12-26	



14Tray →



- ◆ Packaging unit :60pcs/tray
- ◆ Packaging material:PVC
- ◆ Outer carton unit:840pcs/14tray/box
- ◆ Net Weight:7kg
- ◆ Gross Weight:9kg

X:X	±0.25	APPD:	<b>Trxcom</b>
X:XX	±0.20	CHKD:	
X:XXX	±0.05	DR: GRANT	TITLE: <b>1*1 33.02 RJ45 PACKING</b>
ANGLES	±1°	UNIT: mm	PART NO. : TRJK2064AONL
		SCALE: 2/1	SHEET: 4/4
		REV: A	DWG NO. : TRC13122603