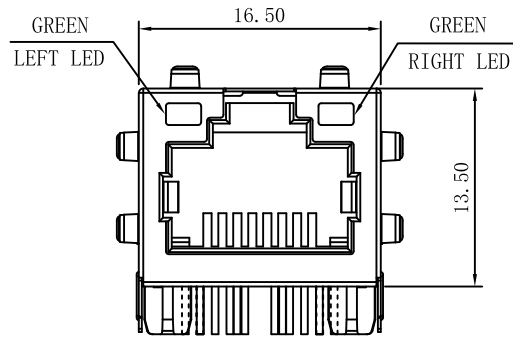
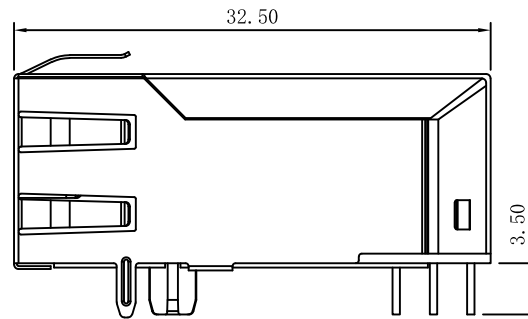


Mechanical :

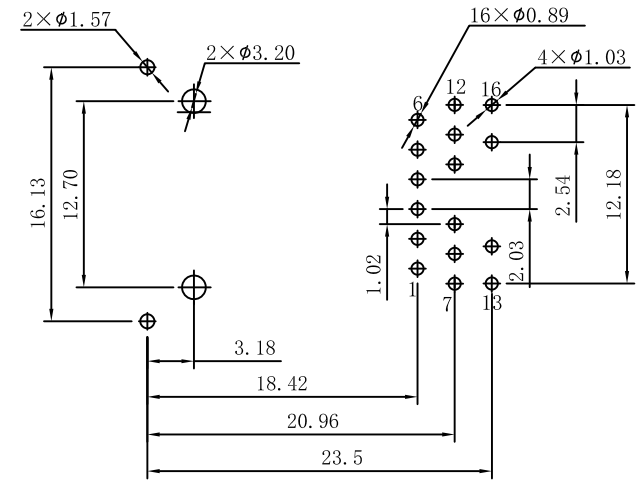
REV.	ECN NO.	DESCRIPTION	DATE	APPD
A	REL		2008-11-06	



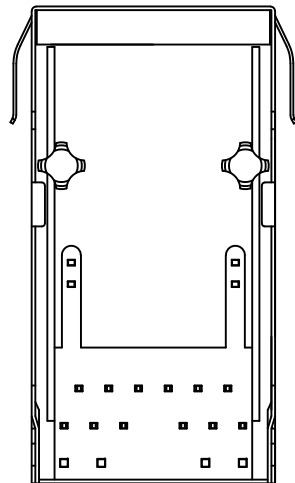
Front Side View



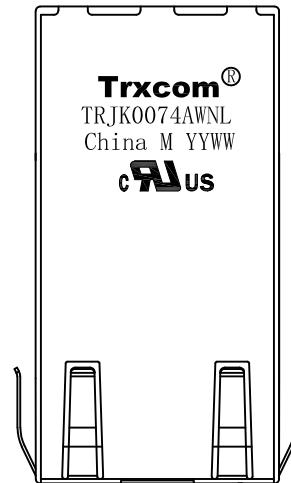
Left Side View



Suggested PCB Layout (Top View)



Bottom Side View



Top Side View

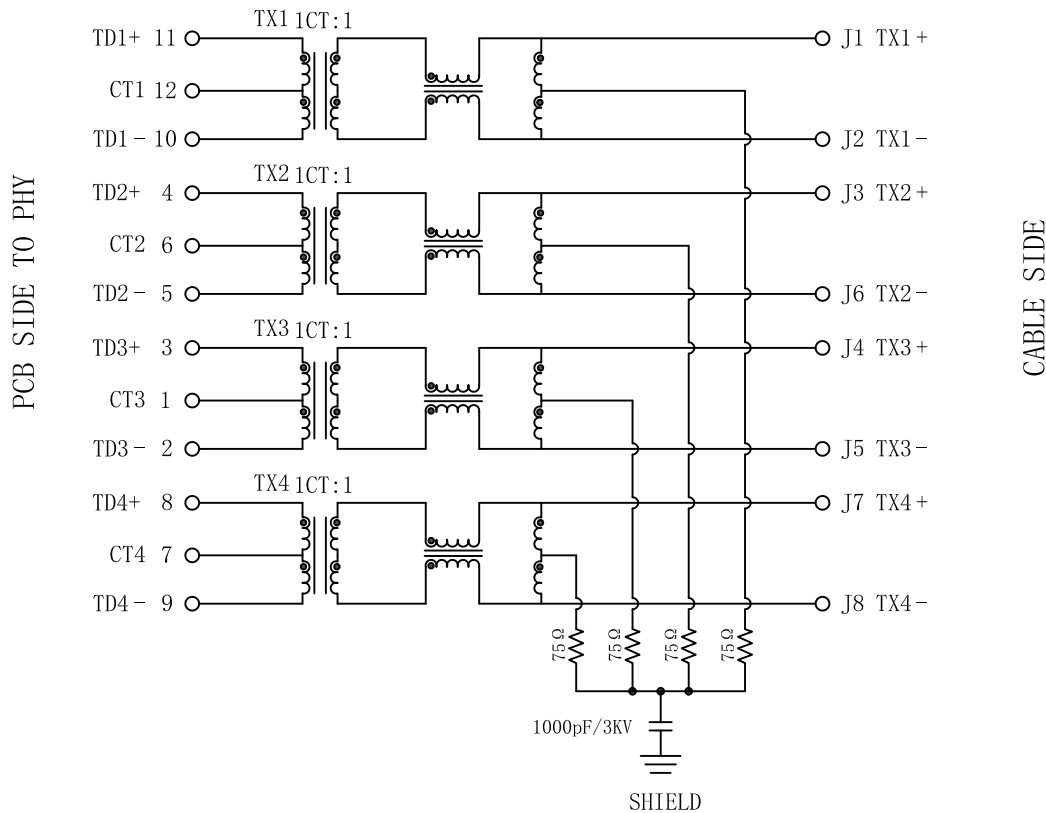
NOTES:

1. Designed to support application, such as SOHO (ADSL modems), LAN-on-Motherboard (LOM), hub and Switches.
2. Meets IEEE 802.3af specification
3. Connector Materials:
 Housing Material: Thermoplastic PBT+30%G. F UL94V-0
 Contact Material: Phosphor Bronze C5210R-EH Thickness=0.35mm
 Pins: Brass C2680R-H Thickness=0.35mm
 Shield: SUS 304 1/2EH Thickness=0.2mm
 Contact plating: Gold 6 micro-inches min. In contact area.
4. Wave solder tip temperature: 265°C Max, 5 Sec.
5. UL Certification: File Number E321120

X:X ±0.25	APPD:	Trxcom Huizhou Trxcom Electronics Co., Ltd.
X:XX ±0.20	CHKD:	
X:XXX ±0.05	DR: SEA	TITLE: RJ45 Connector with 1000 Base-T Integrated Magnetics
ANGLES ±1°	UNIT: mm	PART NO.: TRJK0074AWN
	SCALE: 2/1	SHEET: 1/4
	REV: A	DWG NO.: TRC08110642

Schematic:

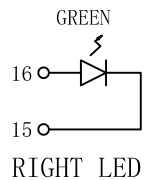
REV.	ECN NO.	DESCRIPTION	DATE	APPD
A	REL		2008-11-06	



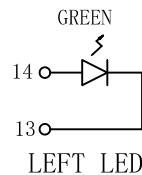
ELECTRICAL SPECIFICATIONS @25°C

- Turn Ratio($\pm 2\%$):
Pri : Sec = 1CT : 1
- Inductance OCL: 350uH MIN
@100KHz 0.1V 8mA DC Bias
- Insertion Loss:
-1.0dB Typ @1-100MHz
- Return Loss:
-20dB MIN @1-10MHz
-16dB MIN @30MHz
-12dB MIN @60-80MHz
- Cross talk:
-40dB MIN @1-10MHz
-35dB MIN @30-60MHz
-30dB MIN @60-100MHz
- Common Mode Rejection:
-30dB MIN @1-50MHz
-20dB MIN @50-130MHz
- Hipot Test: 1500Vrms
- Operating Temperature Range: 0°C to 70°C.

Emitting Color	λ_p (nm)	V _F @I _F =20mA	I _R @V _R =5V
GREEN	565	1.8~2.6V	10 μ A max



LED POLARITY		COLOR
PIN 16	PIN 15	
+	-	GREEN



LED POLARITY		COLOR
PIN 14	PIN 13	
+	-	GREEN

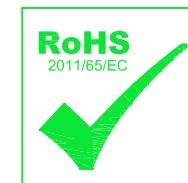
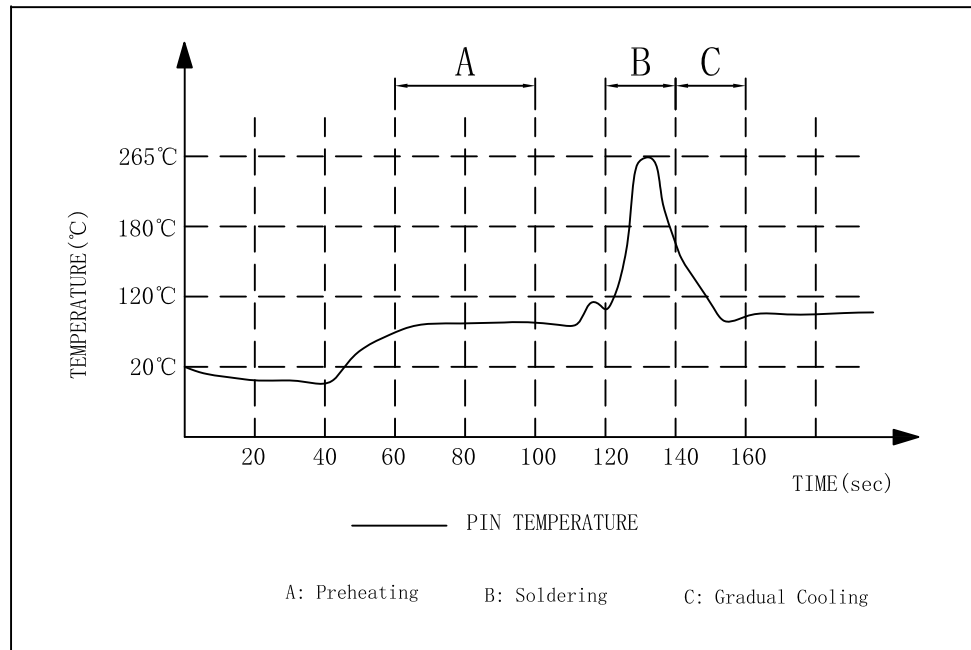


X:X	± 0.25	APPD:	Trxcom Huizhou Trxcom Electronics Co.,Ltd.
X:XX	± 0.20	CHKD:	
X:XXX	± 0.05	DR: SEA	TITLE: RJ45 Connector with 1000 Base-T Integrated Magnetics
ANGLES	$\pm 1^\circ$	UNIT: mm	PART NO. : TRJK0074AWN
	SCALE: 2/1	SHEET: 2/4	REV: A
			DWG NO. : TRC08110642

Profile of wave solder:

REV.	ECN NO.	DESCRIPTION	DATE	APPD
A	REL		2008-11-06	

SUGGESTED PROFILE OF WAVE SOLDER FOR ROHS PRODUCT

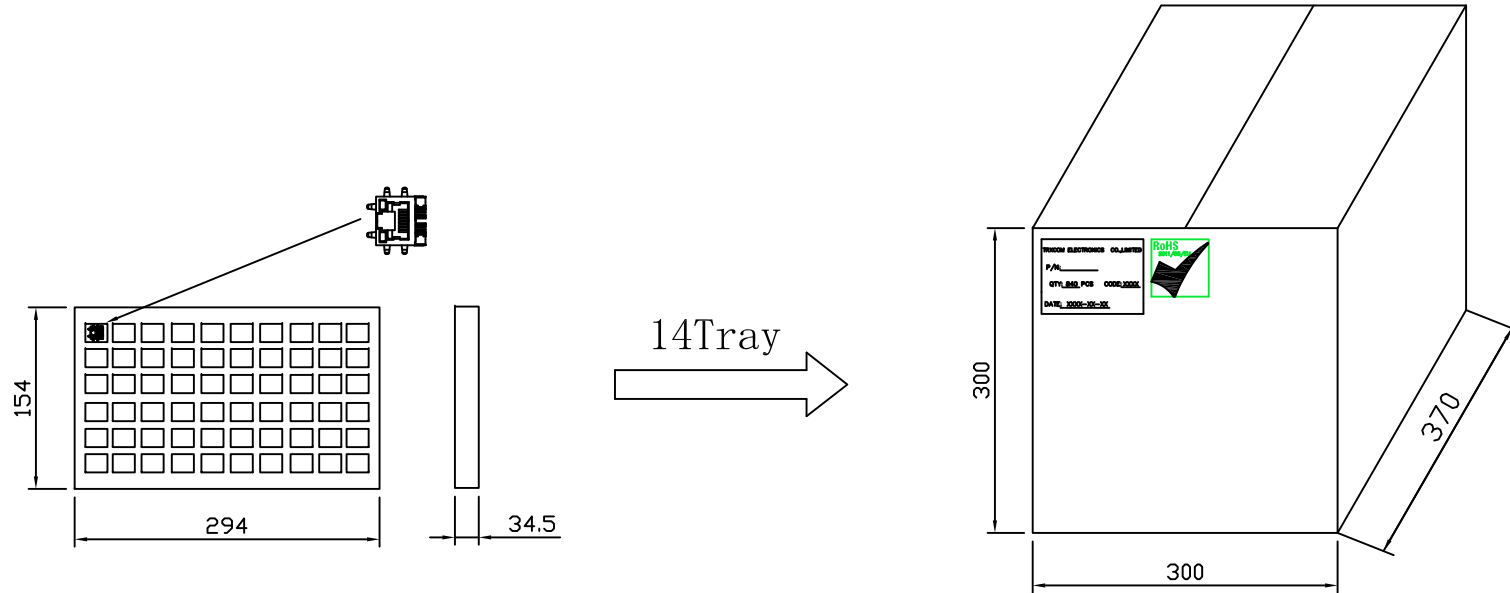


- (1) Tip Temperature: 265°C max
 - (2) Tip Temperature time: 5sec max
- Note: The melting point of Tin: 219°C

X:X ±0.25	APPD:	Trxcom Huizhou Trxcom Electronics Co.,Ltd.
X:XX ±0.20	CHKD:	
X:XXX ±0.05	DR: SEA	TITLE: RJ45 Connector with 1000 Base-T Integrated Magnetics
ANGLES ±1°	UNIT: mm	PART NO. : TRJK0074AWN
	SCALE: 2/1	SHEET: 3/4
	REV: A	DWG NO. : TRC08110642

Packaging:

REV.	ECN NO.	DESCRIPTION	DATE	APPD
A	REL		2008-11-06	



- ◆ Packaging unit :60pcs/tray
- ◆ Packaging material:PVC
- ◆ Outer carton unit:840pcs/14tray/box
- ◆ Net Weight:7kg
- ◆ Gross Weight:9kg

X:X	±0.25	APPD:	Trxcom Huizhou Trxcom Electronics Co.,Ltd.	
X:XX	±0.20	CHKD:		
X:XXX	±0.05	DR: SEA	TITLE: 1*1 33.02 RJ45 PACKING	
ANGLES	±1°	UNIT: mm	PART NO.: TRJK0074AWN	
		SCALE: 2/1	SHEET: 4/4	REV: A
		DWG NO. : TRC08110642		