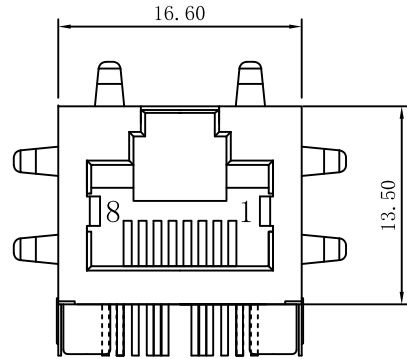
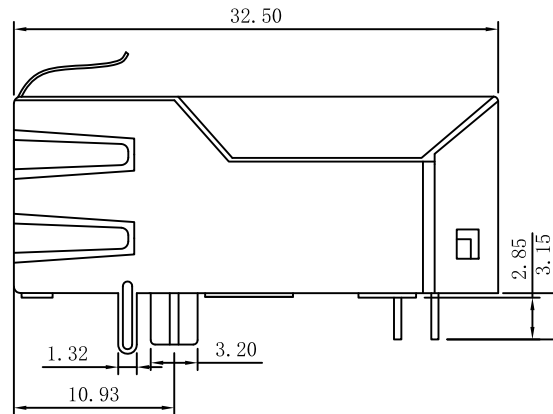


# Mechanical :

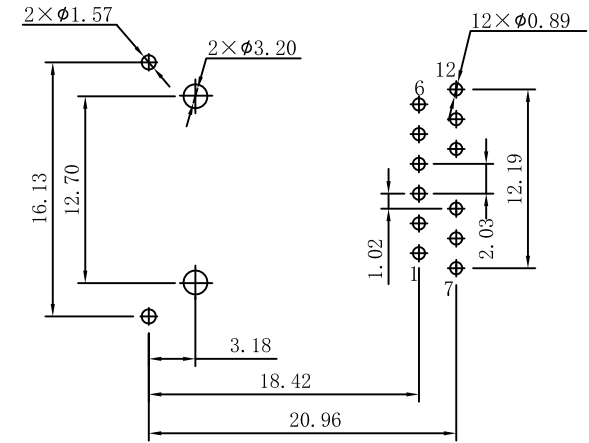
REV.	ECN NO.	DESCRIPTION	DATE	APPD
A	REL		2008-08-12	



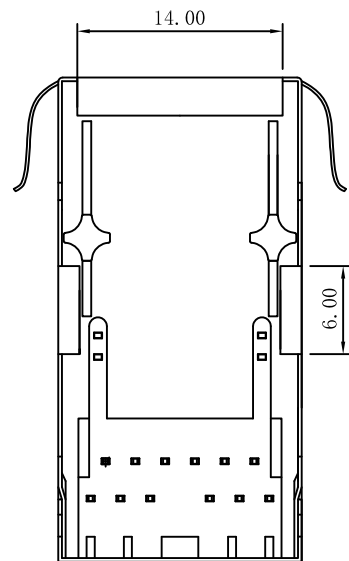
Front Side View



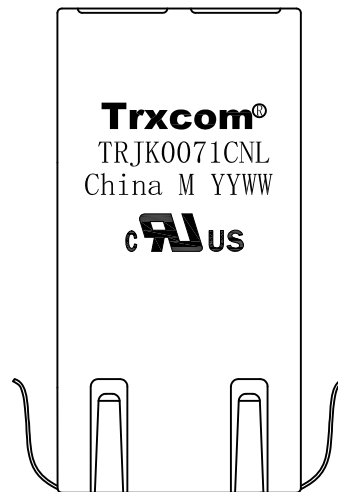
Left Side View



Suggested PCB Layout (Top View)



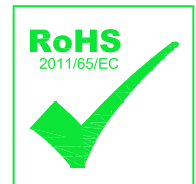
Bottom Side View



Top Side View

## NOTES:

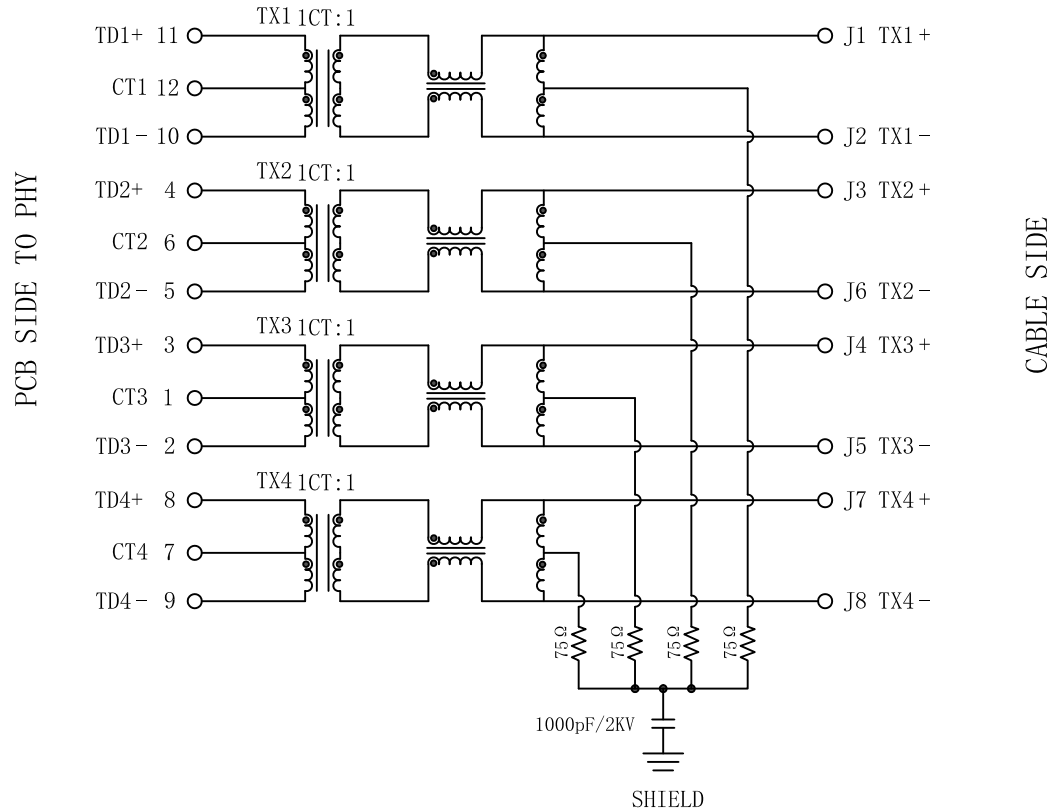
1. Meets IEEE 802.3 specification
2. Connector Materials:  
 Housing: Thermoplastic UL94V-0  
 Contact/Shield: Copper alloy  
 Shield plating: Nickel  
 Contact plating: Gold 6 micro-inches min. In contact area.
3. Wave solder tip temperature: 265°C Max, 5 Sec Max
4. UL Certification: File Number E321120



X:X	±0.25	APPD:	<b>Trxcom</b> Huizhou Trxcom Electronics Co., Ltd	
X:XX	±0.20	CHKD:		
X:XXX	±0.05	DR: SEA	TITLE: RJ45 Connector with 1000 Base-T Integrated Magnetics	
ANGLES	±1°	UNIT: mm	PART NO.: TRJK0071CNL	
	SCALE: 2/1	SHEET: 1/2	REV: A	DWG NO.: TRC08081203

# Schematic:

REV.	ECN NO.	DESCRIPTION	DATE	APPD
A	REL		2008-08-12	



## ELECTRICAL SPECIFICATIONS @25°C

- Turn Ratio( $\pm 3\%$ ):  
1CT : 1
- Inductance OCL: 350uH MIN  
@100KHz 0.1V 8mA DC Bias
- Insertion Loss:  
-1.0dB MAX @ 1-100MHz
- Return Loss:  
-18dB MIN @ 1-30MHz  
-15dB MIN @ 30-60MHz  
-12dB MIN @ 60-100MHz
- Cross talk:  
-40dB MIN @ 30MHz  
-35dB MIN @ 60MHz  
-30dB MIN @ 100MHz
- Common Mode Rejection:  
-30dB MIN @ 1-100MHz
- Hipot Test: 1500Vrms
- Operating Temperature Range: 0°C TO 70°C

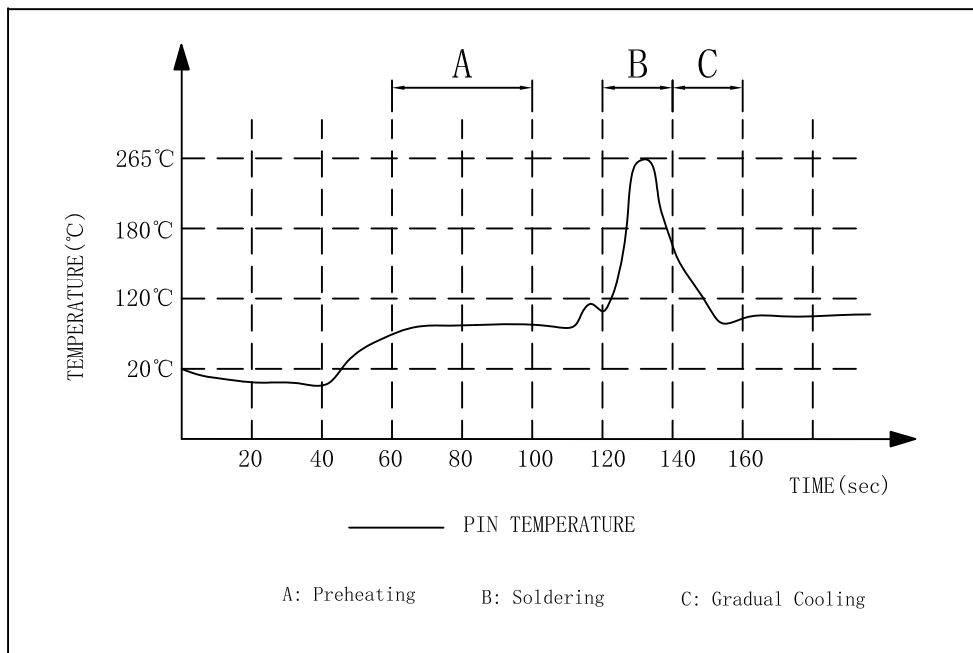


X:X	$\pm 0.25$	APPD:	<b>Trxcom</b> Huizhou Trxcom Electronics Co.,Ltd	
X:XX	$\pm 0.20$	CHKD:		
X:XXX	$\pm 0.05$	DR: SEA	TITLE: RJ45 Connector with 1000 Base-T Integrated Magnetics	
ANGLES	$\pm 1^\circ$	UNIT: mm	PART NO.: TRJK0071CNL	
	SCALE: 2/1	SHEET: 2/2	REV: A	DWG NO.: TRC08081203

# Profile of wave solder:

REV.	ECN NO.	DESCRIPTION	DATE	APPD
A	REL		2008-08-12	

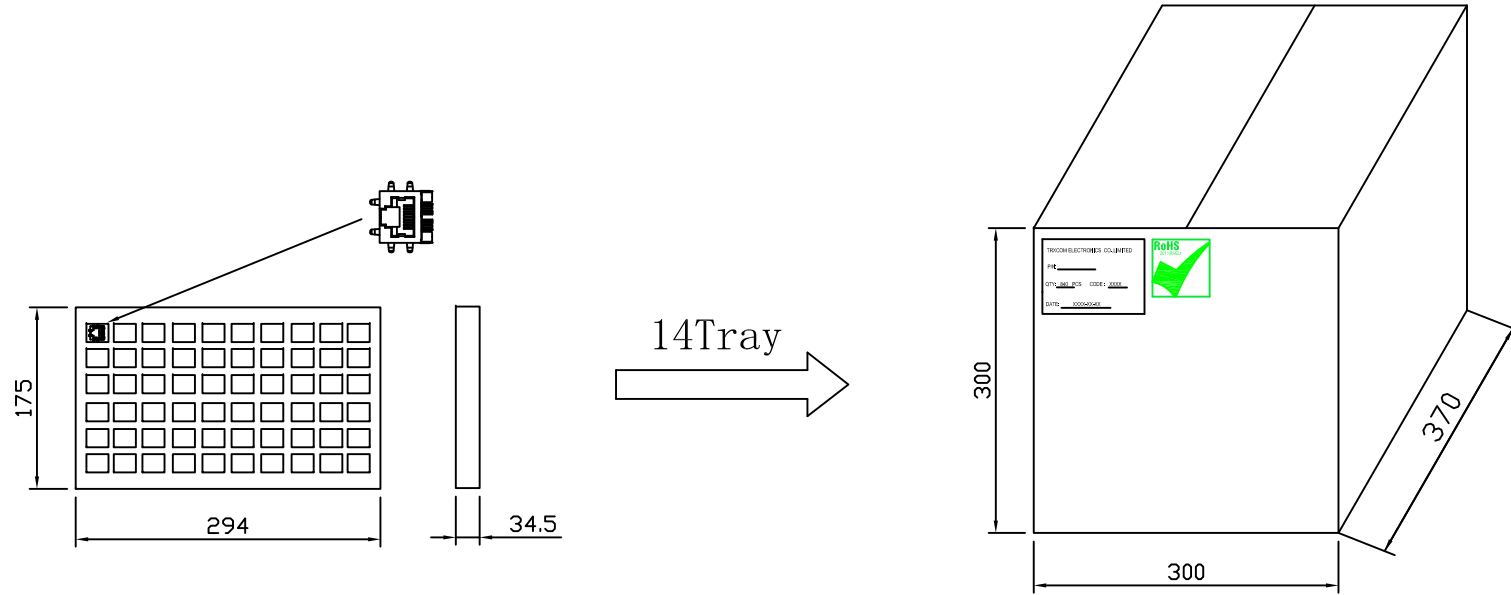
## SUGGESTED PROFILE OF WAVE SOLDER FOR ROHS PRODUCT



- (1) Tip Temperature: 265°C max
  - (2) Tip Temperature time: 5sec max
- Note: The melting point of Tin: 219°C

X:X ±0.25	APPD:	<b>Trxcom</b>
X:XX ±0.20	CHKD:	
X:XXX ±0.05	DR: SEA	TITLE: RJ45 Connector with 1000 Base-T Integrated Magnetics
ANGLES ±1°	UNIT: mm	PART NO. : TRJK0071CNL
	SCALE: 2/1	SHEET: 2/2
	REV: A	DWG NO. : TRC08081203

REV.	ECN NO.	DESCRIPTION	DATE	APPD
A	REL		2008-08-12	



- ◆ Packaging unit :60pcs/tray
- ◆ Packaging material:PVC
- ◆ Outer carton unit:840pcs/14tray/box
- ◆ Net Weight:7kg
- ◆ Gross Weight:9kg

X:X	±0.25	APPD:	<b>Trxcom</b>
X:XX	±0.20	CHKD:	
X:XXX	±0.05	DR: SEA	TITLE: 1*1 33.02 RJ45 PACKING
ANGLES	±1°	UNIT: mm	PART NO. : TRJK0071CNL
		SCALE: 2/1	SHEET: 4/4
		REV: A	DWG NO. : TRC08081203