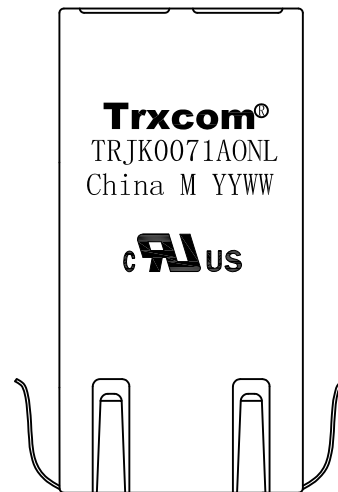
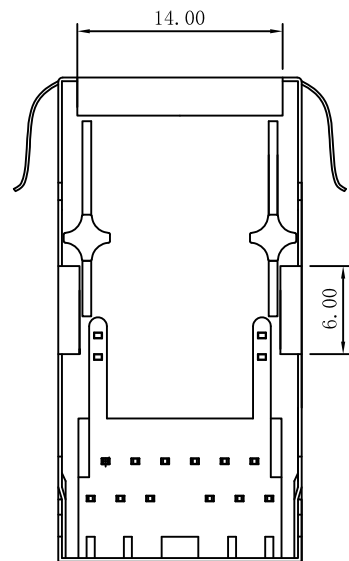
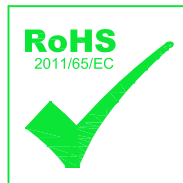
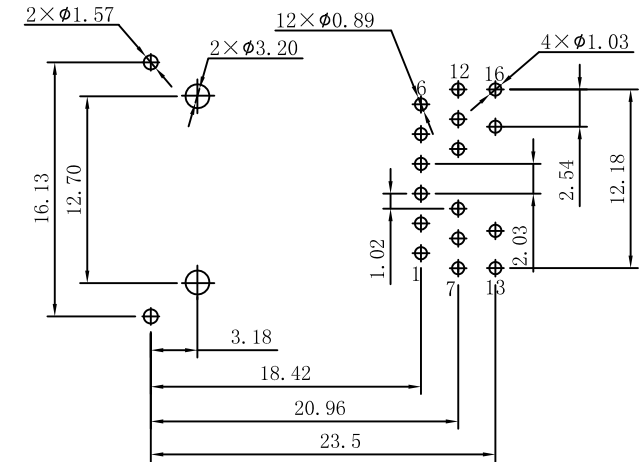
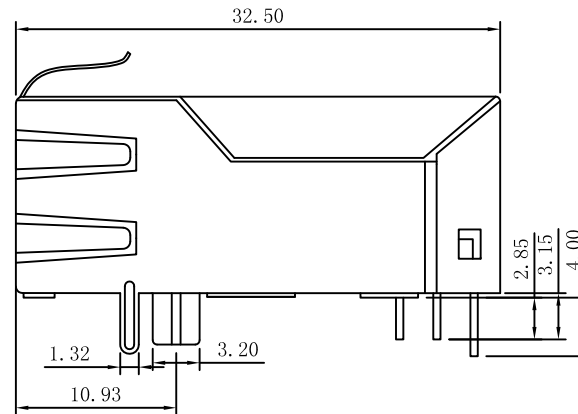
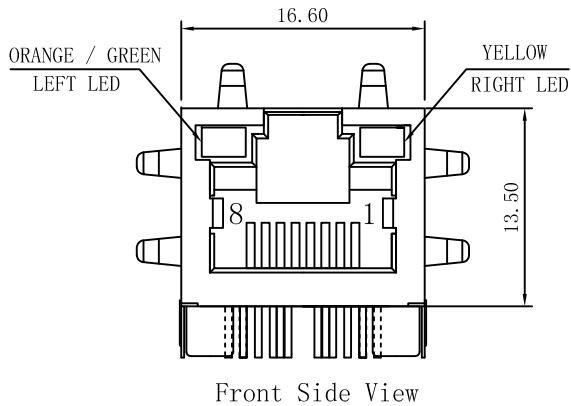


Mechanical :

REV.	ECN NO.	DESCRIPTION	DATE	APPD
A	REL		2008-11-06	



NOTES:

1. Designed to support application, such as SOHO (ADSL modems), LAN-on-Motherboard (LOM), hub and Switches.
2. Meets IEEE 802.3 specification
3. Connector Materials:
Housing: Thermoplastic UL94V-0
Contact/Shield: Copper alloy
Shield plating: Nickel
Contact plating: Gold 6 micro-inches Min. In contact area.
4. Wave peak temperature: 260°C Max, 5Sec.
5. UL Certification: File Number E321120.

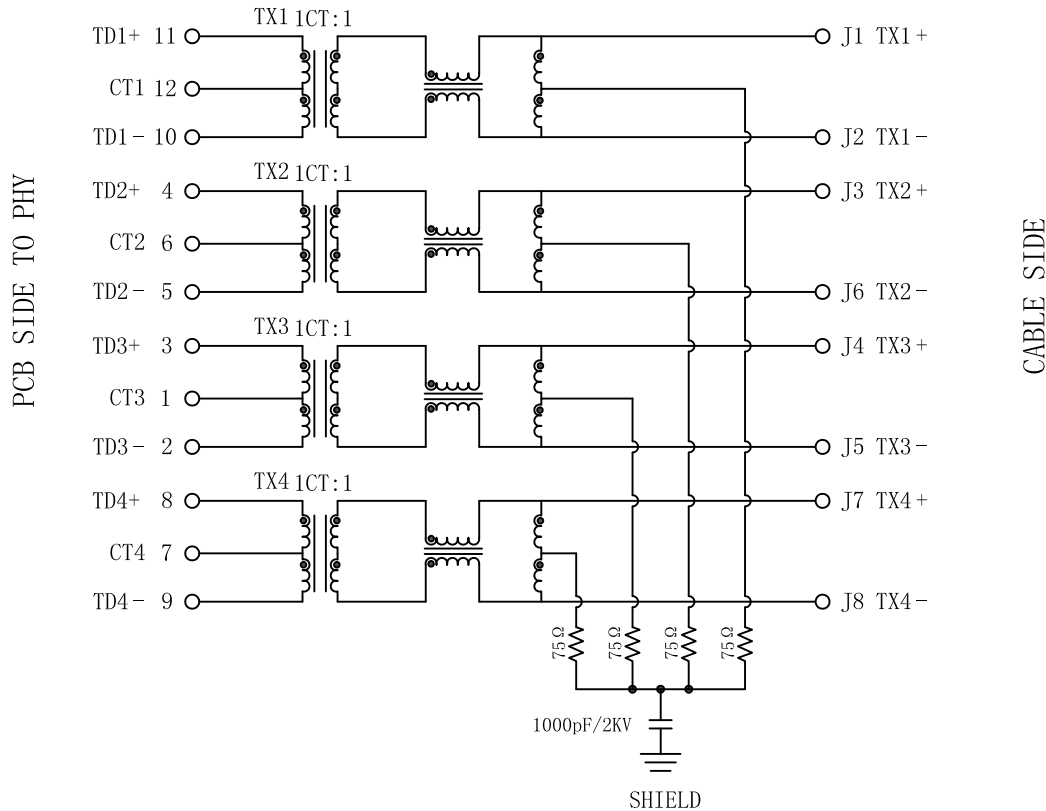
X:X ±0.25	APPD:	Trxcom Huizhou Trxcom Electronics Co., Ltd.
X:XX ±0.20	CHKD:	
X:XXX ±0.05	DR: SEA	TITLE: RJ45 Connector with 1000 Base-T Integrated Magnetics
ANGLES ±1°	UNIT: mm	PART NO.: TRJK0071AONL
	SCALE: 2/1	SHEET: 1/4
	REV: A	DWG NO.: TRC08110639

Bottom Side View

Top Side View

Schematic:

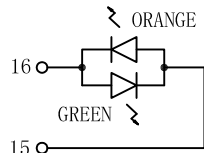
REV.	ECN NO.	DESCRIPTION	DATE	APPD
A	REL		2008-11-06	



ELECTRICAL SPECIFICATIONS @25°C

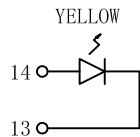
- Turn Ratio($\pm 3\%$):
Pri : Sec = 1CT : 1
- Inductance OCL: 350uH MIN
@100KHz 0.1V 8mA DC Bias
- Insertion Loss:
-1.0dB MAX @ 1-100MHz
- Return Loss:
-18dB MIN @ 1-30MHz
-15dB MIN @ 30-60MHz
-12dB MIN @ 60-100MHz
- Cross talk:
-40dB MIN @ 30MHz
-35dB MIN @ 60MHz
-30dB MIN @ 100MHz
- Common Mode Rejection:
-30dB MIN @ 1-100MHz
- Operating voltage: 3.3-5V Max.
Current: 350mA.
- Hipot Test: 1500Vrms
- Operating Temperature Range: 0°C TO 70°C

Emitting Color	λ_p (nm)	V _F @I _F =20mA	I _R @V _R =5V
GREEN	565	1.8~2.6V	10 μ A max
YELLOW	585	1.8~2.6V	10 μ A max
ORANGE	610	1.8~2.6V	10 μ A max



LEFT LED

LED POLARITY		COLOR
PIN 15	PIN 16	
+	-	ORANGE
-	+	GREEN



RIGHT LED

LED POLARITY		COLOR
PIN 14	PIN 13	
+	-	YELLOW

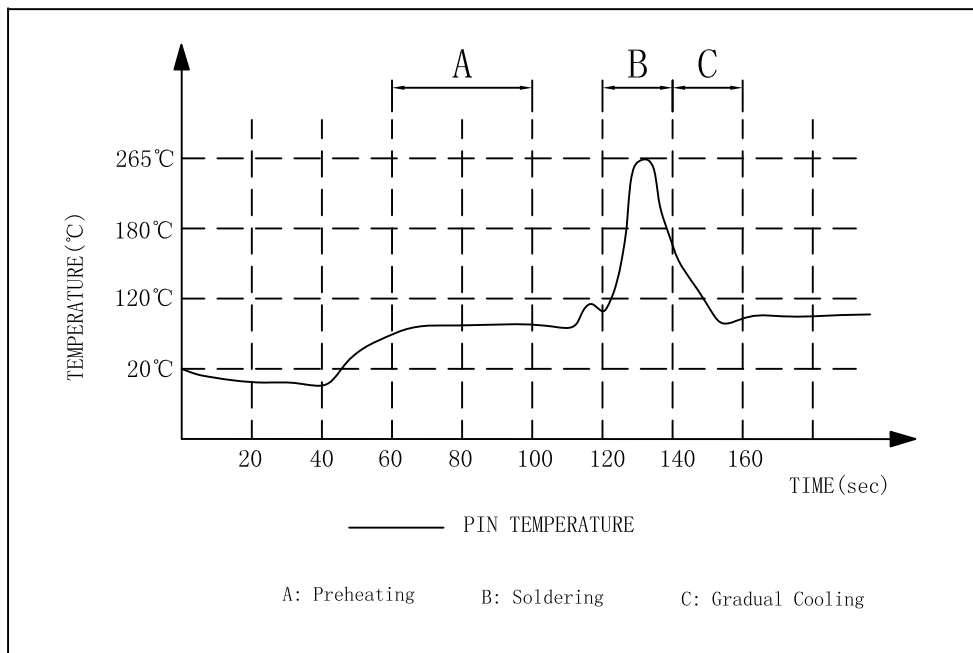


X:X	± 0.25	APPD:	Trxcom Huizhou Trxcom Electronics Co.,Ltd.
X:XX	± 0.20	CHKD:	
X:XXX	± 0.05	DR: SEA	TITLE: RJ45 Connector with 1000 Base-T Integrated Magnetics
ANGLES	$\pm 1^\circ$	UNIT: mm	PART NO.: TRJK0071AONL
	SCALE: 2/1	SHEET: 2/4	REV: A DWG NO.: TRC08110639

Profile of wave solder:

REV.	ECN NO.	DESCRIPTION	DATE	APPD
A	REL		2008-11-06	

SUGGESTED PROFILE OF WAVE SOLDER FOR ROHS PRODUCT

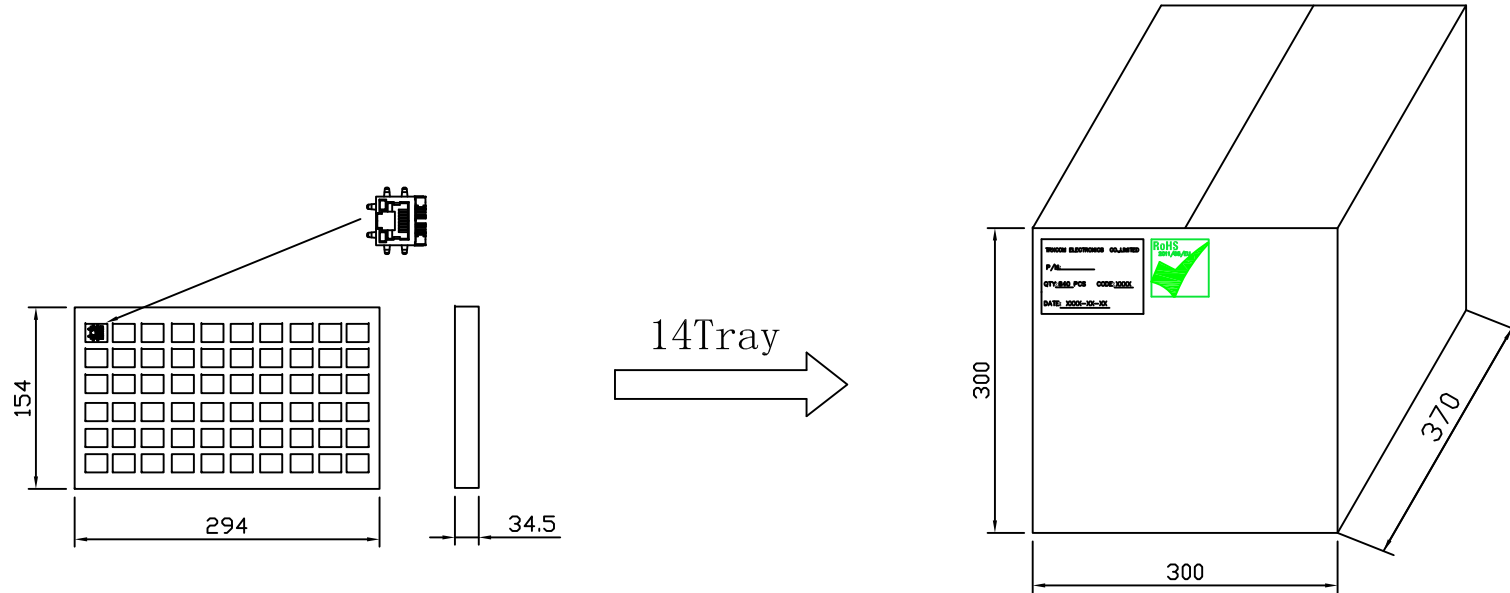


- (1) Tip Temperature: 265°C max
 - (2) Tip Temperature time: 5sec max
- Note: The melting point of Tin: 219°C

X:X ±0.25	APPD:	Trxcom
X:XX ±0.20	CHKD:	
X:XXX ±0.05	DR: SEA	TITLE: RJ45 Connector with 1000 Base-T Integrated Magnetics
ANGLES ±1°	UNIT: mm	PART NO.: TRJK0071AONL
	SCALE: 2/1	SHEET: 3/4
	REV: A	DWG NO.: TRC08110639

Packaging:

REV.	ECN NO.	DESCRIPTION	DATE	APPD
A	REL		2008-11-06	



- ◆ Packaging unit: 60pcs/tray
- ◆ Packaging material: PVC
- ◆ Outer carton unit: 840pcs/14tray/box
- ◆ Net Weight: 7kg
- ◆ Gross Weight: 9kg

X:X	±0.25	APPD:	Trxcom
X:XX	±0.20	CHKD:	
X:XXX	±0.05	DR: SEA	TITLE: 1*1 32.50mm RJ45 Packing
ANGLES	±1°	UNIT: mm	PART NO.: TRJK0071AONL
		SCALE: 2/1	SHEET: 4/4
		REV: A	DWG NO.: TRC08110639