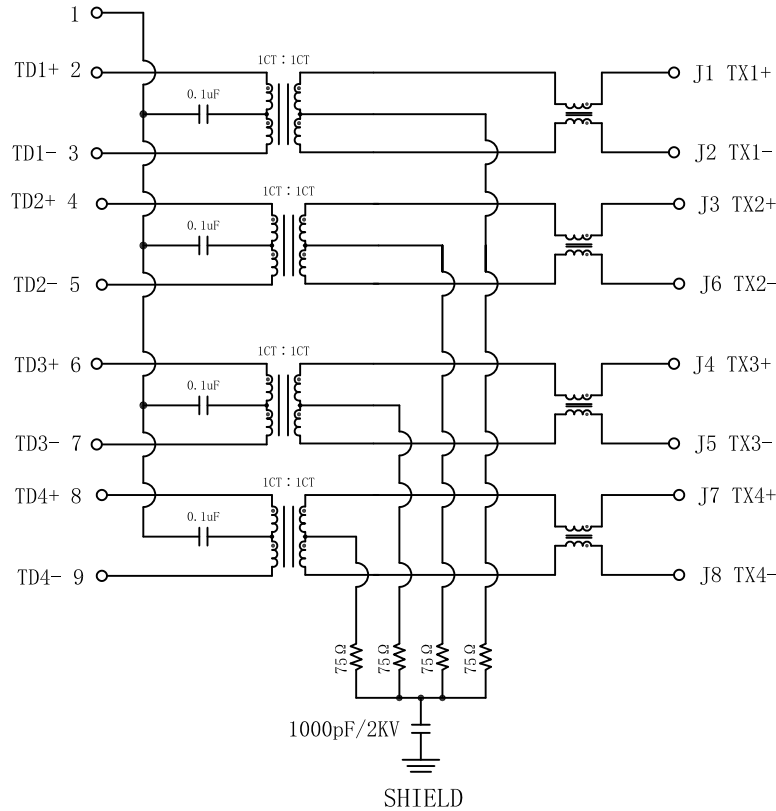




# Schematic:

REV.	ECN NO.	DESCRIPTION	DATE	APPD
A	REL		2023-05-25	

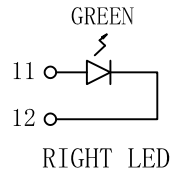
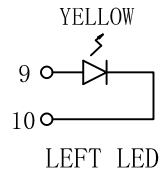
PC BOARD CONNECTIONS



RJ45 CONNECTOR

## ELECTRICAL SPECIFICATIONS @25°C

- Turn Ratio( $\pm 5\%$ ):  
Pri : Sec = 1CT : 1CT
- Inductance OCL:  
350uH MIN @100KHz/0.1V, 8mA DC Bias
- Insertion Loss:  
-1.0dB MAX @1-100MHz  
-1.2dB MAX @100-125MHz
- Return Loss:  
-16dB MIN @1-40MHz  
-12dB MIN @40-60MHz  
-10dB MIN @60-80MHz  
-8dB MIN @80-100MHz
- Cross talk:  
-30dB MIN @1-100MHz
- Common to Common Mode Attenuation:  
-30dB MIN @1-100MHz
- Hipot Test: 1500Vrms MIN
- Operating Temperature: -40°C to +85°C.



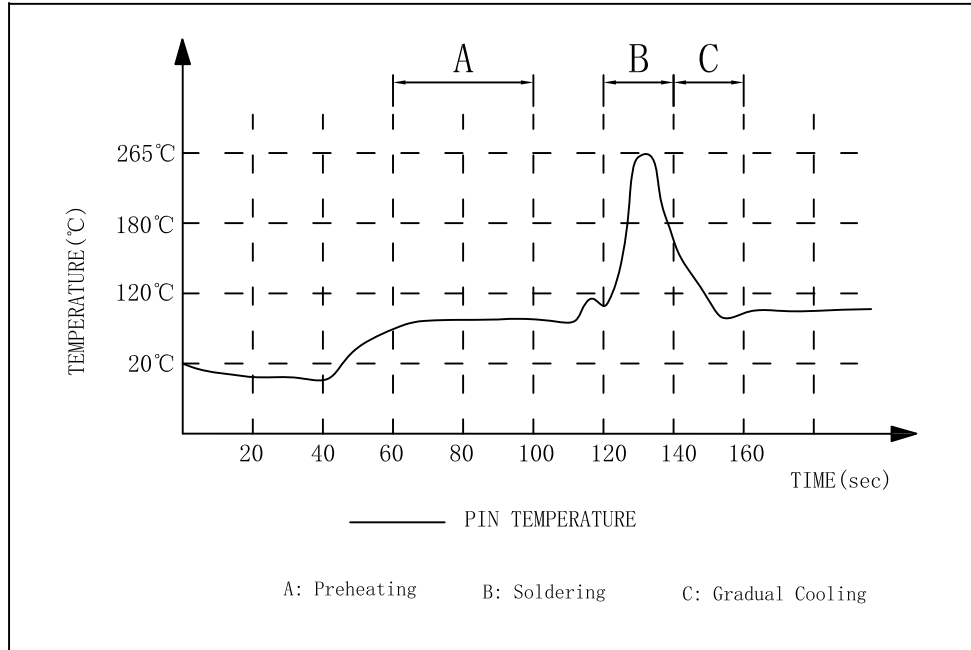
Emitting Color	$\lambda_p$ (nm)	V <sub>F</sub> @I <sub>F</sub> =20mA	I <sub>R</sub> @V <sub>R</sub> =5V
GREEN	565	1.8~2.6V	10 $\mu$ A max
YELLOW	585	1.8~2.6V	10 $\mu$ A max

X:X	$\pm 0.30$	APPD:	<b>Trxcom</b> Huizhou Trxcom Electronics Co., Ltd.	
X:XX	$\pm 0.25$	CHKD:		
X:XXX	$\pm 0.05$	DR: SEA	TITLE: RJ45 Connector with 1000 Base-T Integrated Magnetics	
ANGLES	$\pm 1^\circ$	UNIT: mm	PART NO.: TRJG4933GENL	
	SCALE: 2/1	SHEET: 2/4	REV: A	DWG NO.: TRC23052503

REV.	ECN NO.	DESCRIPTION	DATE	APPD
A	REL		2023-05-25	

SUGGESTED PROFILE OF WAVE SOLDER FOR ROHS PRODUCT

REV: A  
 TEMP(°C): 25  
 HUM(%): 65 RH

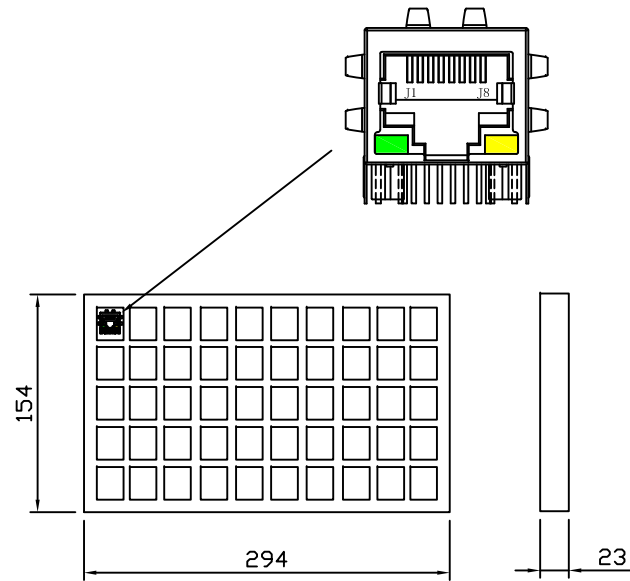


- (1) Tip Temperature: 265°C max
  - (2) Tip Temperature time: 5sec max
- Note: The melting point of Tin: 219°C

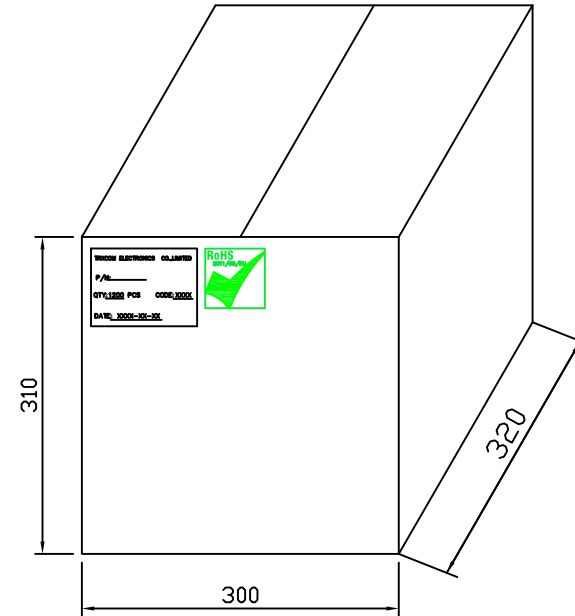
X:X ±0.30	APPD:	<b>Trxcom</b>
X:XX ±0.25	CHKD:	
X:XXX ±0.05	DR: SEA	TITLE: RJ45 Connector with 1000 Base-T Integrated Magnetics
ANGLES ±1°	UNIT: mm	PART NO.: TRJG4933GENL
	SCALE: 2/1	SHEET: 3/4
	REV: A	DWG NO.: TRC23052503

Packaging:

REV.	ECN NO.	DESCRIPTION	DATE	APPD
A	REL		2023-05-25	



24Tray →



- ◆ Packaging unit: 50pcs/tray
- ◆ Packaging material: PVC
- ◆ Outer carton unit: 1200pcs/24tray/box
- ◆ Net Weight: 8kg
- ◆ Gross Weight: 10kg

X:X	±0.25	APPD:	<b>Trxcom</b>
X:XX	±0.20	CHKD:	
X:XXX	±0.05	DR: SEA	TITLE: 1*1 21.25mm RJ45 Packing
ANGLES	±1°	UNIT: mm	PART NO. : TRJG4933GENL
		SCALE: 2/1	SHEET: 4/4
		REV: A	DWG NO. : TRC23052503