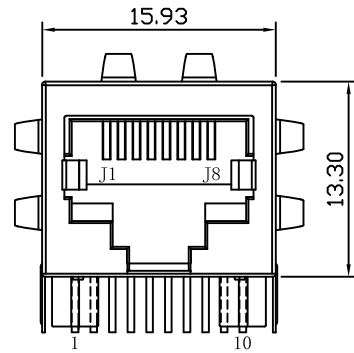
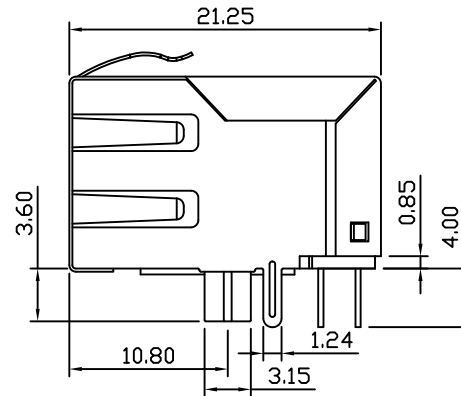


Mechanical:

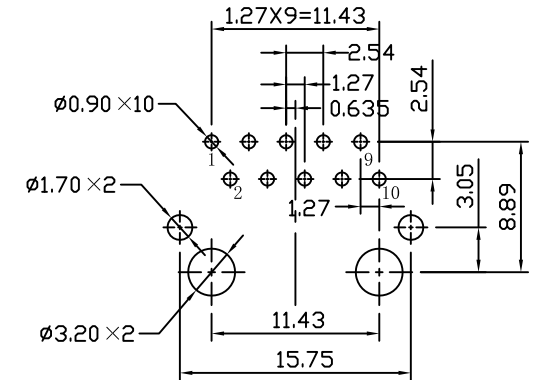
REV.	ECN NO.	DESCRIPTION	DATE	APPD
A	REL		2010-09-18	



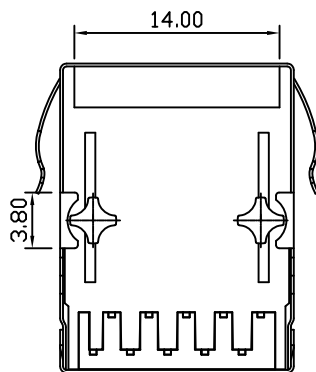
Front Side View



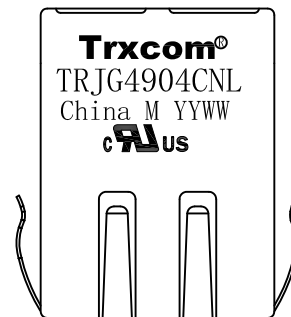
Left Side View



Suggested PCB Layout (Top View)



Bottom Side View



Top Side View

NOTES:

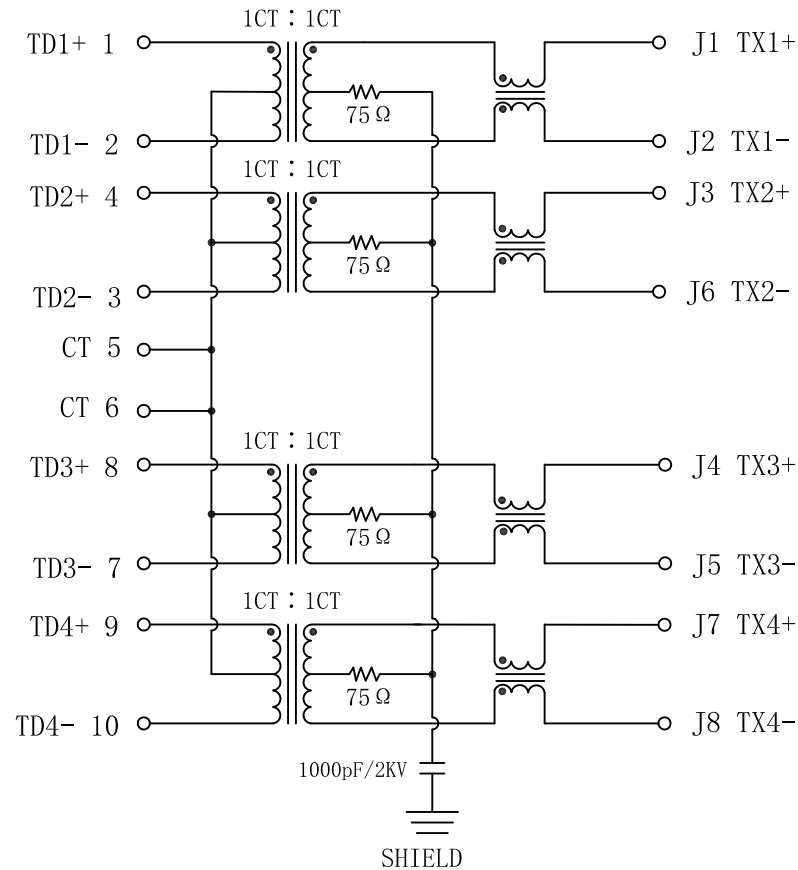
1. Designed to support application, such as SOHO (ADSL modems), LAN-on-Motherboard (LOM), hub and Switches.
2. Meets IEEE 802.3 specification
3. Connector Materials:
 Housing: Thermoplastic PBT+30%G.F UL94V-0
 Contact: Phosphor Bronze C5210R-EH Thickness=0.35mm
 Pins: Brass C2680R-H Thickness=0.35mm
 Shield: SUS 201-1/2H Thickness=0.2mm
 Contact plating: Gold 6 micro-inches min. In contact area.
4. Wave solder tip temperature: 265°C Max, 5 Sec Max.
5. UL Certification: File Number E321120

X:X	±0.25	APPD:	Trxcom Huizhou Trxcom Electronics Co., Ltd	
X:XX	±0.20	CHKD:		
X:XXX	±0.05	DR: SEA	TITLE: RJ45 Connector with 1000 Base-T Integrated Magnetics	
ANGLES	±1°	UNIT: mm	PART NO.: TRJG4904CNL	
	SCALE: 2/1	SHEET: 1/4	REV: A	DWG NO.: TRC10091828

Schematic:

REV.	ECN NO.	DESCRIPTION	DATE	APPD
A	REL		2010-09-18	

PC BOARD CONNECTIONS



RJ45 CONNECTOR

Electrical Specifications @ 25°C

- Turns Ratio ($\pm 5\%$):
Pri : Sec = 1CT : 1CT
- Inductance (@100KHz, 100mV, 8mA DC Bias):
J1-J2; J3-J6; J4-J5; J7-J8: 350uH Min
- Insertion Loss:
1~100MHz: -1.0dB Max
- Return Loss (dB Min. load 100 Ω):
1~30MHz: -16 30~40MHz: -13.5
40~50MHz: -11.5 50~80MHz: -10
- Crosstalk (dB Min):
0.3~30MHz: -40 30~60MHz: -35
60~100MHz: -30
- Common Mode Rejection (dB Min):
1~30MHz: -30 30~60MHz: -25
60~125MHz: -20
- Isolation Voltage: 1500Vrms
- Operating Temperature Range: -40°C ~ +85°C.

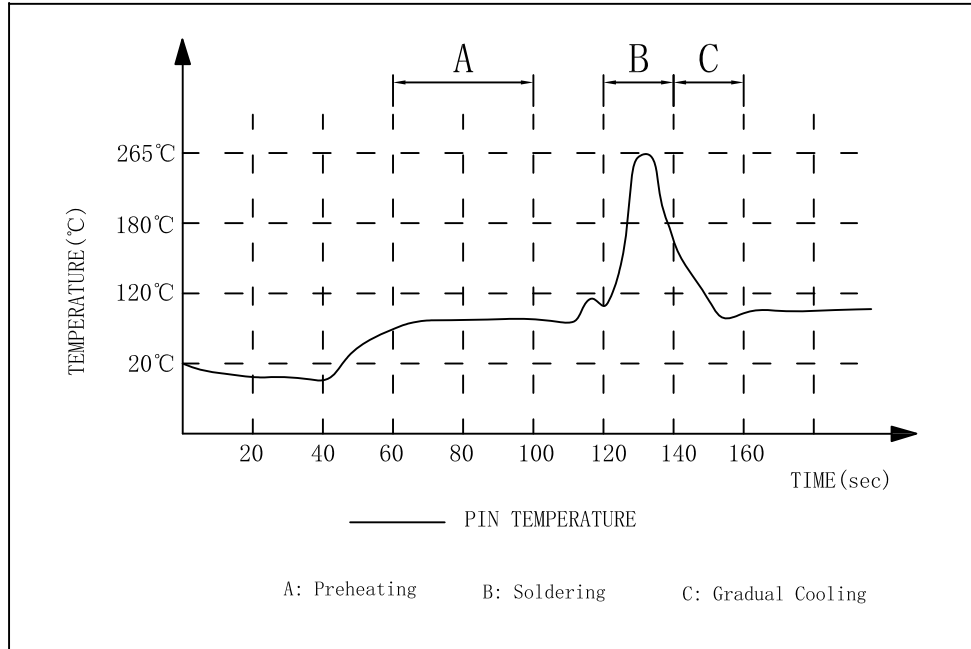


X:X	± 0.25	APPD:	Trxcom Huizhou Trxcom Electronics Co., Ltd	
X:XX	± 0.20	CHKD:		
X:XXX	± 0.05	DR: SEA	TITLE: RJ45 Connector with 1000 Base-T Integrated Magnetics	
ANGLES	$\pm 1^\circ$	UNIT: mm	PART NO.: TRJG4904CNL	
	SCALE: 2/1	SHEET: 2/4	REV: A	DWG NO.: TRC10091828

REV.	ECN NO.	DESCRIPTION	DATE	APPD
A	REL		2010-09-18	

SUGGESTED PROFILE OF WAVE SOLDER FOR ROHS PRODUCT

REV: A
 TEMP (°C): 25
 HUM (%): 65 RH

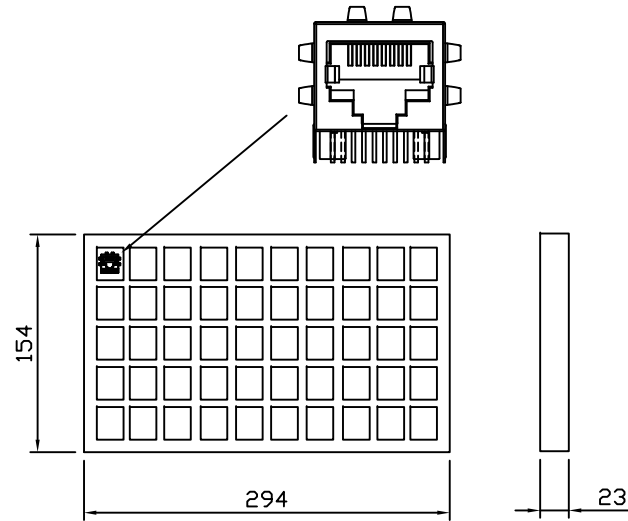


- (1) Tip Temperature: 265°C max
 - (2) Tip Temperature time: 5sec max
- Note: The melting point of Tin: 219°C

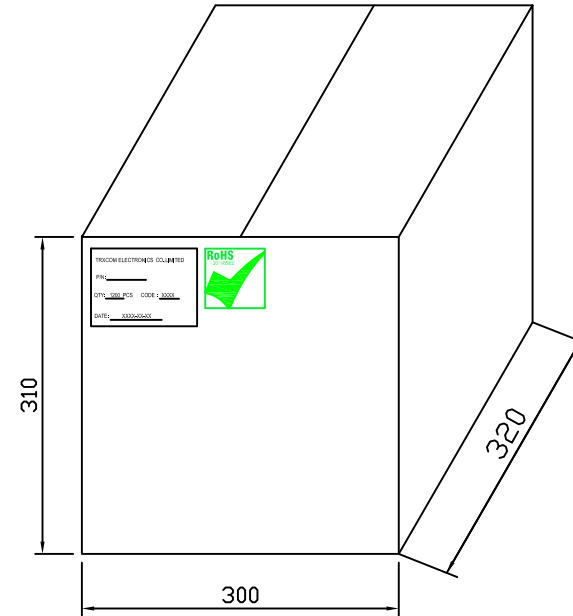
X:X ±0.25	APPD:	Trxcom Huizhou Trxcom Electronics Co.,Ltd
X:XX ±0.20	CHKD:	
X:XXX ±0.05	DR: SEA	TITLE: RJ45 Connector with 1000 Base-T Integrated Magnetics
ANGLES ±1°	UNIT: mm	PART NO.: TRJG4904CNL
	SCALE: 2/1	SHEET: 3/4
	REV: A	DWG NO.: TRC10091828

Packaging:

REV.	ECN NO.	DESCRIPTION	DATE	APPD
A	REL		2010-09-18	



24Tray →



- ◆ Packaging unit :50pcs/tray
- ◆ Packaging material:PVC
- ◆ Outer carton unit:1200pcs/24tray/box
- ◆ Net Weight:8kg
- ◆ Gross Weight:10kg

X:X	±0.25	APPD:	Trxcom Huizhou Trxcom Electronics Co.,Ltd.		
X:XX	±0.20	CHKD:			
X:XXX	±0.05	DR: SEA	TITLE: 1*1 21.3 RJ45 PACKING		
ANGLES	±1°	UNIT: mm	PART NO. : TRJG4904CNL		
		SCALE: 2/1	SHEET: 4/4	REV: A	DWG NO. : TRC10091828