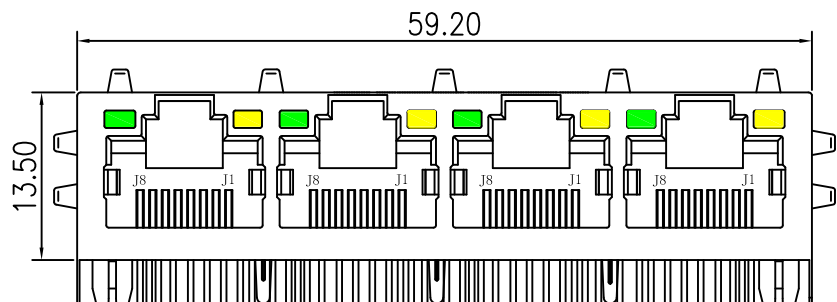
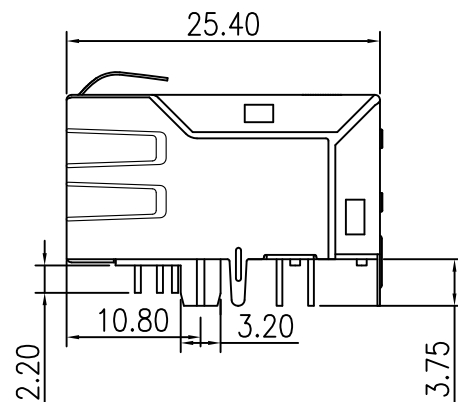


Mechanical:

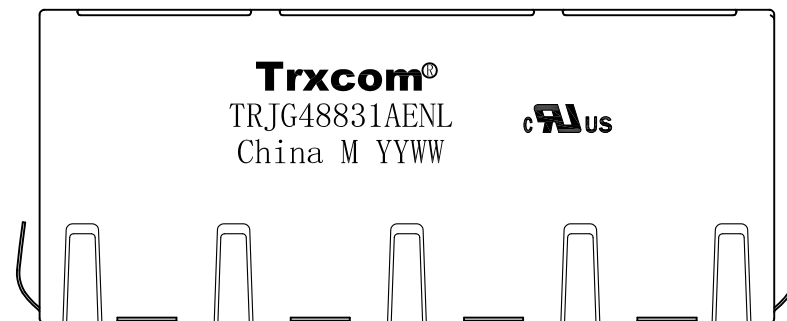
REV.	ECN NO.	DESCRIPTION	DATE	APPD
A	REL		2011-01-04	



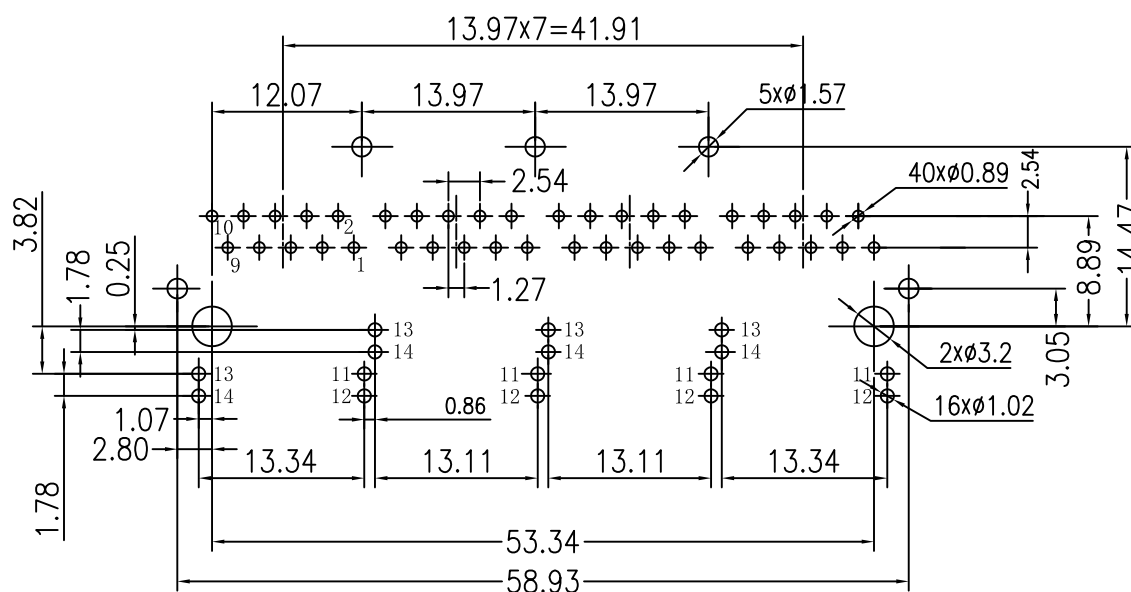
Front Side View



Left Side View



Top Side View



Suggested PCB Layout (Top View)



NOTES:

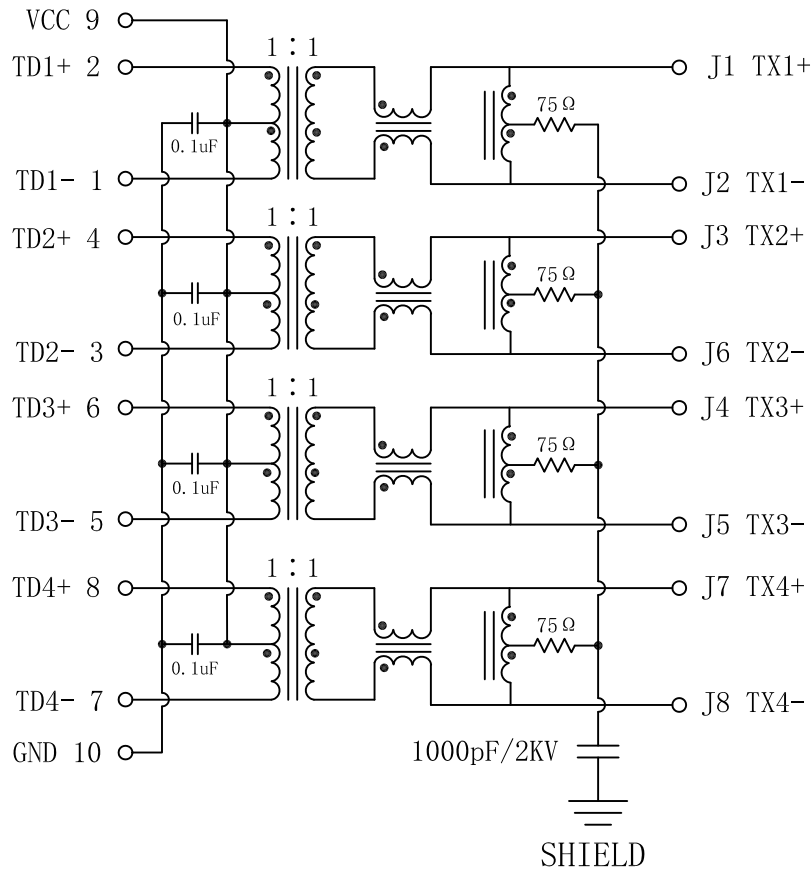
1. Designed to support application, such as SOHO (ADSL modems), LAN-on-Motherboard (LOM), hub and Switches.
2. Meets IEEE 802.3 specification
3. Connector Materials:
 Housing: Thermoplastic PA66+30%G.F UL94V-0
 Contact: Phosphor Bronze C5210R-EH Thickness=0.35mm
 Pins: Brass C2680R-H Thickness=0.35mm
 Shield: SUS 201-1/2H Thickness=0.2mm
 Contact plating: Gold 6 micro-inches min. In contact area.
4. Wave solder tip temperature: 265°C Max, 5 Sec Max.
5. UL Certification: File Number E321120

X:X	±0.25	APPD:	Trxcom Huizhou Trxcom Electronics Co., Ltd.	
X:XX	±0.20	CHKD:		
X:XXX	±0.05	DR: SEA	TITLE: 1*4 RJ45 Connector With 1000 Base-TX Integrated Magnetic	
ANGLES	±1°	UNIT: mm	PART NO.: TRJG48831AENL	
	SCALE: 2/1	SHEET: 1/4	REV: A	DWG: TRC11010408

Schematic:

REV.	ECN NO.	DESCRIPTION	DATE	APPD
A	REL		2011-01-04	

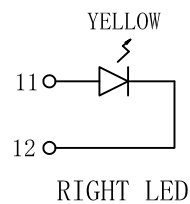
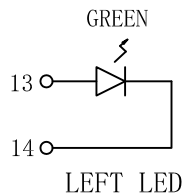
PCB CONNECTIONS



RJ45 CONNECTOR

Electrical Specifications @25°C

- Turn Ratio:
Pri : Sec = 1CT : 1CT
- OCL (100KHz, 0.1V, 8mA DC BIAS):
350uH MIN
- Insertion Loss:
0.5~100MHz: -1.1dB MAX
- Return Loss:
0.5~40MHz: -18dB MIN
40.1~100MHz: -12-20LOG(f/80) dB MIN.
- Crosstalk:
0.5~40MHz: -35dB MIN
40.1~100MHz: -33-20LOG(f/50) dB MIN.
- Common Mode Rejection Ratio:
0.5~100MHz: -30dB MIN
- Hipot Test: 1500Vrms MIN
- Operating Temperature: 0°C TO +70°C.



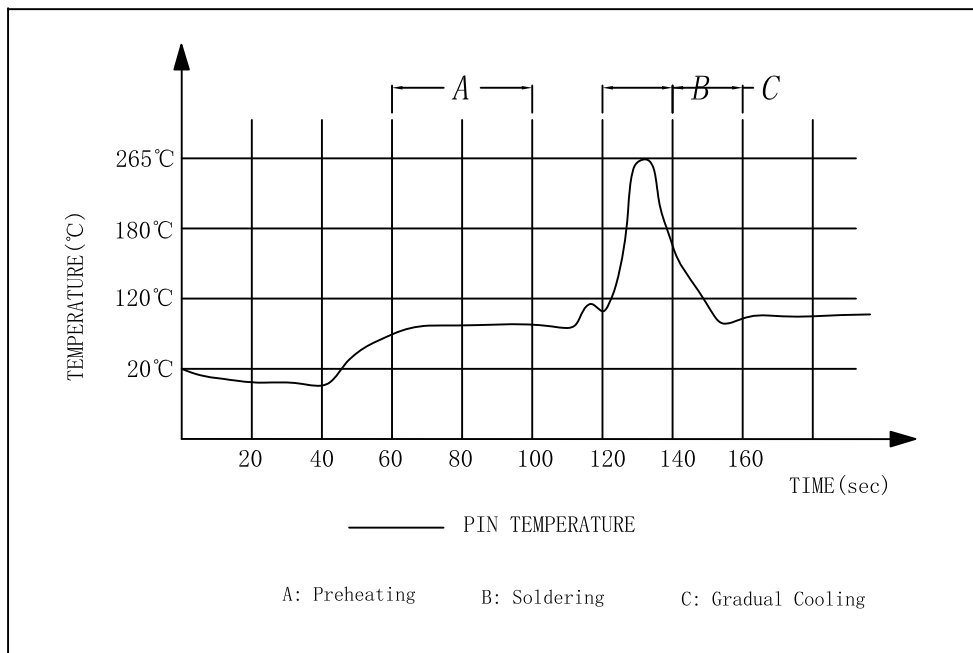
Emitting Color	λ p(nm)	VF@IF=20mA	IR @VR=5V
GREEN	565	1.8~2.4V	10 μ A max
YELLOW	585	1.8~2.4V	10 μ A max

X:X	± 0.25	APPD:	Trxcom Huizhou Trxcom Electronics Co., Ltd.
X:XX	± 0.20	CHKD:	
X:XXX	± 0.05	DR: SEA	TITLE: 1*4 RJ45 Connector With 1000 Base-TX Integrated Magnetic
ANGLES	$\pm 1^\circ$	UNIT: mm	PART NO.: TRJG48831AENL
	SCALE: 2/1	SHEET: 2/4	REV: A DWG: TRC11010408

Profile of wave solder:

REV.	ECN NO.	DESCRIPTION	DATE	APPD
A	REL		2011-01-04	

SUGGESTED PROFILE OF WAVE SOLDER FOR ROHS PRODUCT

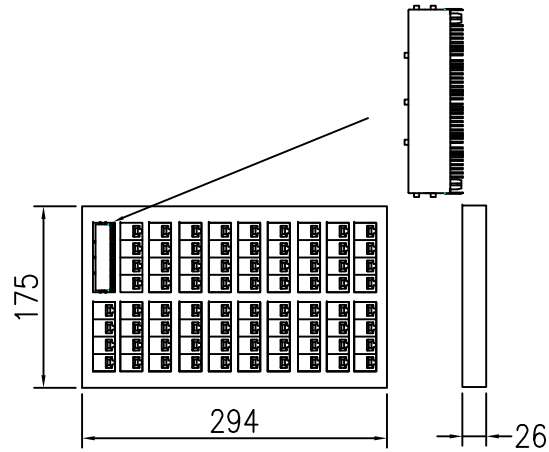


- (1) Tip Temperature: 265°C max
 - (2) Tip Temperature time: 5sec max
- Note: The melting point of Tin: 219°C

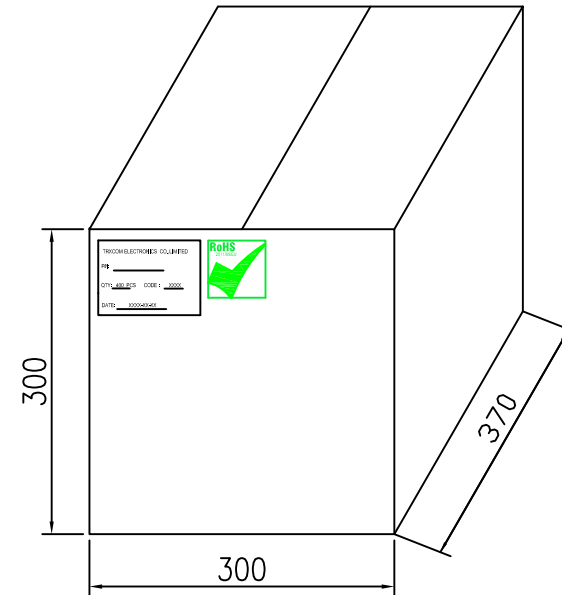
X:X	±0.25	APPD:	Trxcom Huizhou Trxcom Electronics Co., Ltd.	
X:XX	±0.20	CHKD:		
X:XXX	±0.05	DR: SEA	TITLE: 1*4 RJ45 Connector With 1000 Base-TX Integrated Magnetic	
ANGLES	±1°	UNIT: mm	PART NO.: TRJG48831AENL	
	SCALE: 2/1	SHEET: 3/4	REV: A	DWG: TRC11010408

Packaging:

REV.	ECN NO.	DESCRIPTION	DATE	APPD
A	REL		2011-01-04	



20Tray →



- ◆ Packaging unit :20pcs/tray
- ◆ Packaging material:PVC
- ◆ Outer carton unit:400pcs/20tray/box
- ◆ Net Weight:7kg
- ◆ Gross Weight:9kg

X:X	±0.25	APPD:	Trxcom Huizhou Trxcom Electronics Co.,Ltd.
X:XX	±0.20	CHKD:	
X:XXX	±0.05	DR: SEA	TITLE: 1*4 25.4mm RJ45 PACKING
ANGLES	±1°	UNIT: mm	PART NO.: TRJG48831AENL
	SCALE: 2/1	SHEET: 4/4	REV: A DWG: TRC11010408