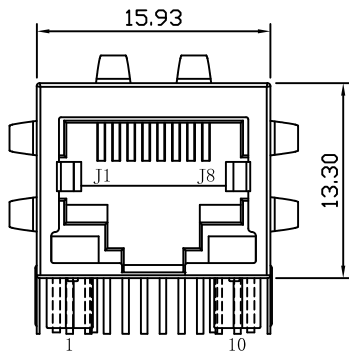
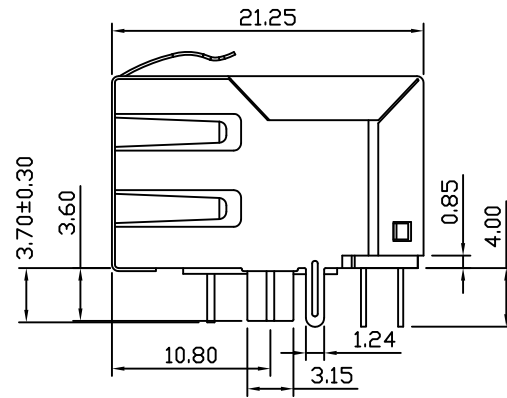


Mechanical:

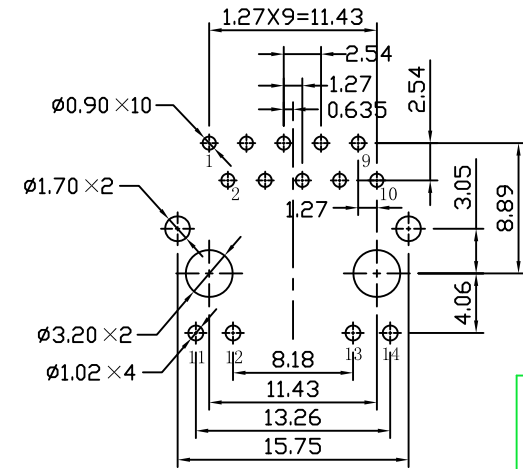
REV.	ECN NO.	DESCRIPTION	DATE	APPD
A	REL		2009-12-17	



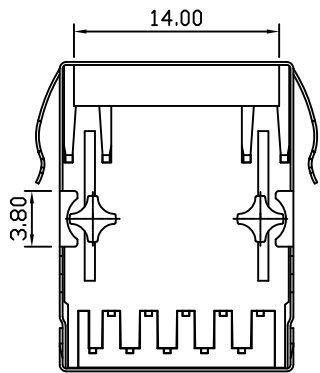
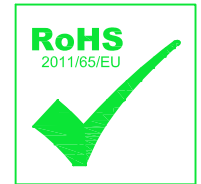
Front Side View



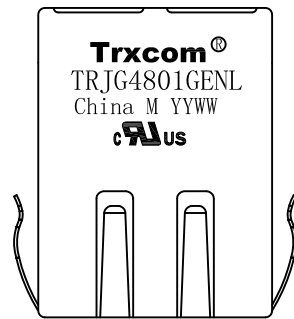
Left Side View



Suggested PCB Layout (Top View)



Bottom Side View



Top Side View

NOTES:

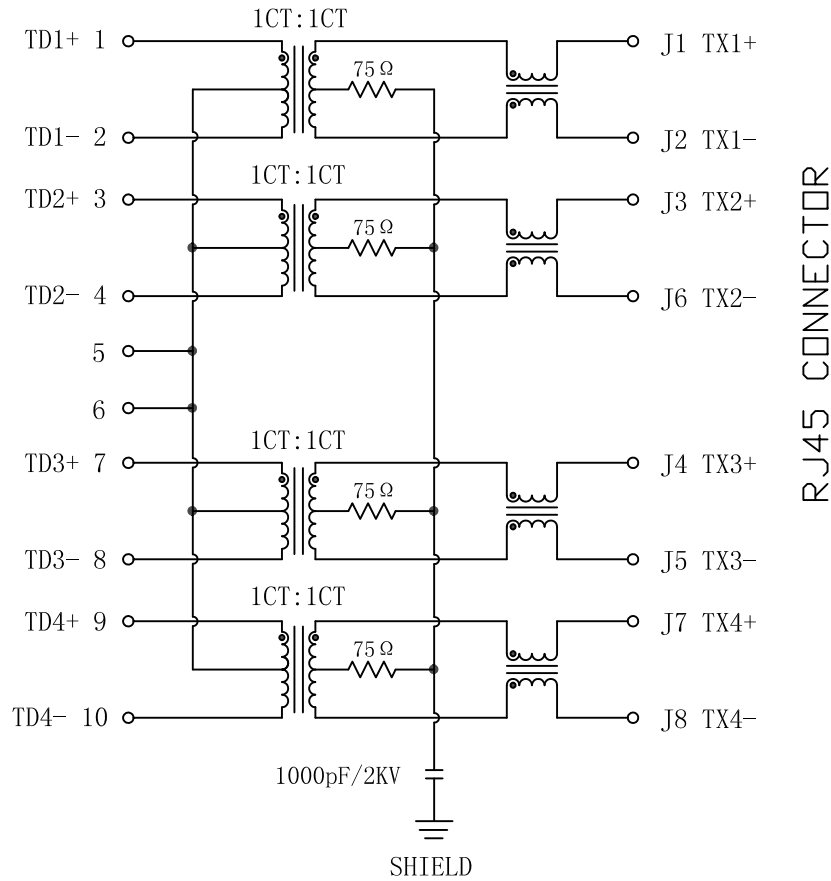
1. Designed to support application, such as SOHO (ADSL modems), LAN-on-Motherboard (LOM), hub and Switches.
2. Meets IEEE802.3 specification
3. Connector Materials:
 Housing: Thermoplastic PBT+30%G.F UL94V-0
 Contact: Phosphor Bronze C5210R-EH Thickness=0.35mm
 Pins: Brass C2680R-H Thickness=0.35mm
 Shield: SUS 201-1/2H Thickness=0.2mm
 Contact plating: Gold 6 micro-inches min. In contact area.
4. Wave solder tip temperature: 250°C, 5 Sec.
5. UL Certification: File Number E321120.

X:X ±0.25	APPD:	Trxcom Huizhou Trxcom Electronics Co., Ltd
X:XX ±0.20	CHKD:	
X:XXX ±0.05	DR: SEA	
ANGLES ±1°	UNIT: mm	TITLE: RJ45 Connector with 1000 Base-T Integrated Magnetics
		PART NO.: TRJG4801GENL
	SCALE: 2/1	SHEET: 1/4
	REV: A	DWG NO.: TRC09121728

Schematic:

REV.	ECN NO.	DESCRIPTION	DATE	APPD
A	REL		2009-12-17	

PC BOARD CONNECTIONS

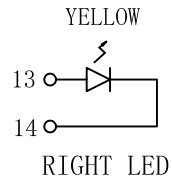
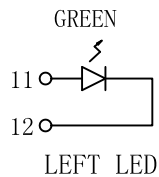


RJ45 CONNECTOR

Electrical Specifications @25°C

- Turns Ratio ($\pm 5\%$):
Pri : Sec = 1CT : 1CT
- OCL: 350uH Min
@100KHz/0.1V With 8mA DC Bias
- Insertion Loss:
0.3~100MHz:-1.0dB Max
- Return Loss(dB Min):
1~30MHz:-16 30~60MHz:-13
60~80MHz:-10
- Crosstalk(dB Min):
0.3~30MHz:-40 30~60MHz:-35
60~100MHz:-30
- Common Mode Rejection(dB Min):
1~30MHz:-30 30~60MHz:-25
60~125MHz:-20
- Operating voltage: 3.3-5V.
Current: 350mA.
- Hipot: 1500Vrms
- Operating Temperature: -40°C~+85°C.

Emitting Color	λ_p (nm)	VF@IF=20mA	IR @VR=5V
GREEN	565	1.8~2.6V	10 μ A max
YELLOW	585	1.8~2.6V	10 μ A max



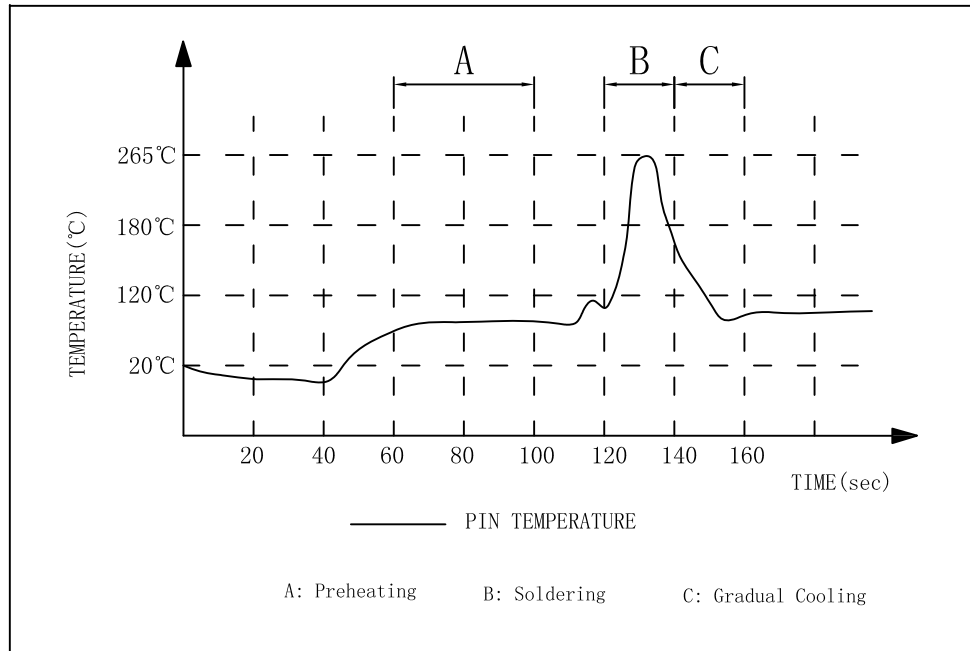
X:X	± 0.25	APPD:	Trxcom	
X:XX	± 0.20	CHKD:	Huizhou Trxcom Electronics Co.,Ltd	
X:XXX	± 0.05	DR: SEA	TITLE: RJ45 Connector with 1000 Base-T Integrated Magnetics	
ANGLES	$\pm 1^\circ$	UNIT: mm	PART NO.: TRJG4801GENL	
	SCALE: 2/1	SHEET: 2/4	REV: A	DWG NO.: TRC09121728

Profile of wave solder:

REV.	ECN NO.	DESCRIPTION	DATE	APPD.
A	REL		2009-12-17	

SUGGESTED PROFILE OF WAVE SOLDER FOR ROHS PRODUCT

REV: A
 TEMP (°C): 25
 HUM (%): 65 RH

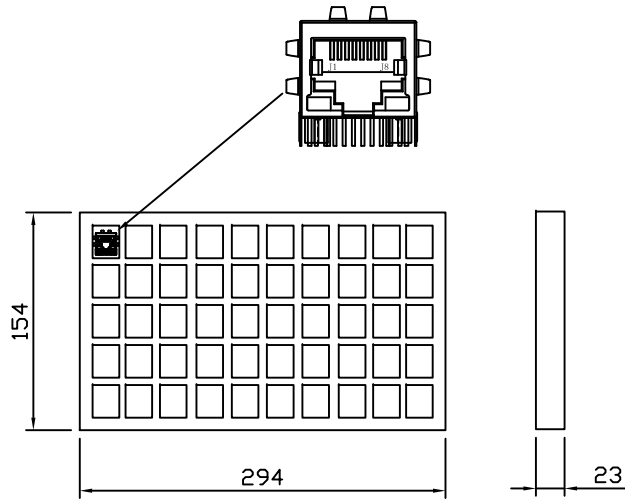


- (1) Tip Temperature: 265°C max
 - (2) Tip Temperature time: 5sec max
- Note: The melting point of Tin: 219°C

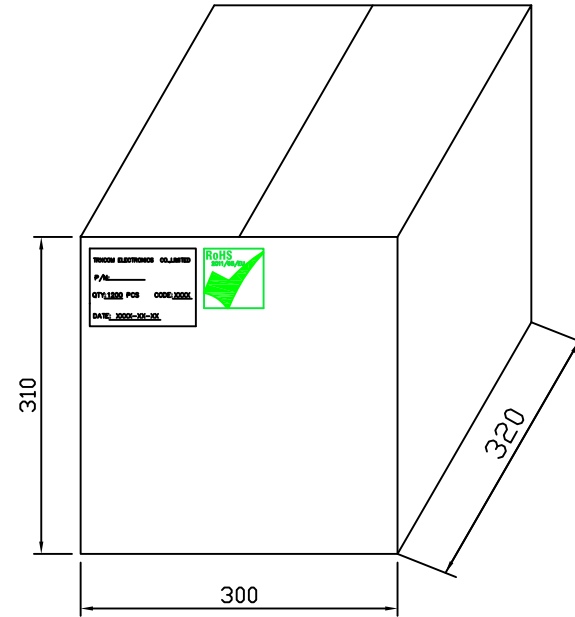
X:X ±0.25	APPD:	Trxcom Huizhou Trxcom Electronics Co., Ltd.
X:XX ±0.20	CHKD:	
X:XXX ±0.05	DR: SEA	
ANGLES ±1°	UNIT: mm	TITLE: RJ45 Connector with 1000 Base-T Integrated Magnetics
		PART NO.: TRJG4801GENL
	SCALE: 2/1	SHEET: 3/4
	REV: A	DWG NO.: TRC09121728

Packaging:

REV.	ECN NO.	DESCRIPTION	DATE	APPD.
A	REL		2009-12-17	



24Tray →



- ◆ Packaging unit: 50pcs/tray
- ◆ Packaging material: PVC
- ◆ Outer carton unit: 1200pcs/24tray/box
- ◆ Net Weight: 8kg
- ◆ Gross Weight: 10kg

X:X ±0.25	APPD:	Trxcom Huizhou Trxcom Electronics Co., Ltd.
X:XX ±0.20	CHKD:	
X:XXX ±0.05	DR: SEA	TITLE: 1*1 21.25mm RJ45 Packing
ANGLES ±1°	UNIT: mm	PART NO.: TRJG4801GENL
	SCALE: 2/1	SHEET: 4/4
	REV: A	DWG NO.: TRC09121728