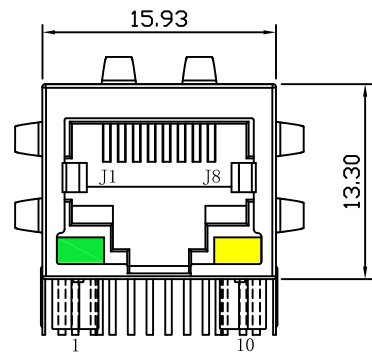
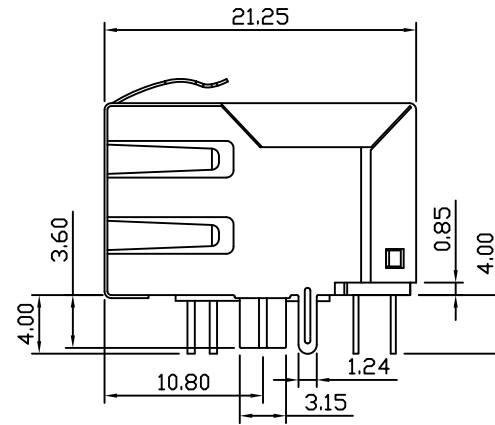


# Mechanical:

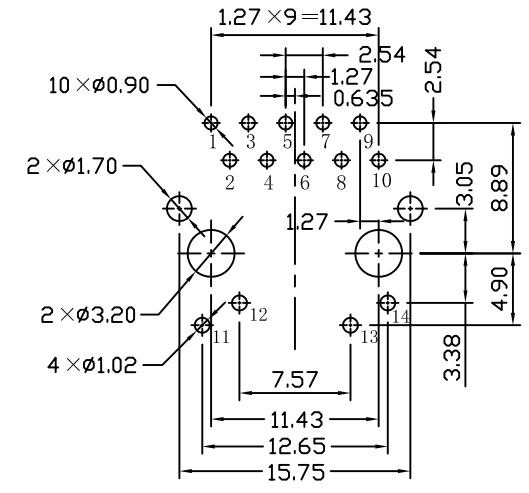
REV.	ECN NO.	DESCRIPTION	DATE	APPD
A	REL		2010-09-18	



Front Side View



Left Side View

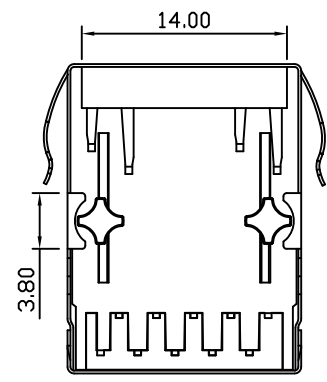


Suggested PCB Layout (Top View)

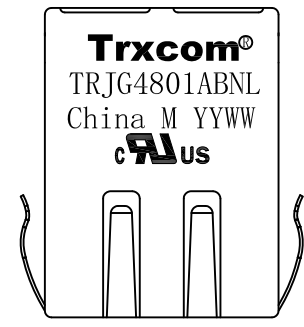


### NOTES:

1. Designed to support application, such as SOHO (ADSL modems), LAN-on-Motherboard (LOM), hub and Switches.
2. Meets IEEE 802.3 specification
3. Connector Materials:  
 Housing: Thermoplastic PBT+30%G.F UL94V-0  
 Contact: Phosphor Bronze C5210R-EH Thickness=0.35mm  
 Pins: Brass C2680R-H Thickness=0.35mm  
 Shield: SUS 201-1/2H Thickness=0.2mm  
 Contact plating: Gold 6 micro-inches min. In contact area.
4. Wave solder tip temperature: 265°C Max, 5 Sec Max.
5. UL Certification: File Number E321120



Bottom Side View

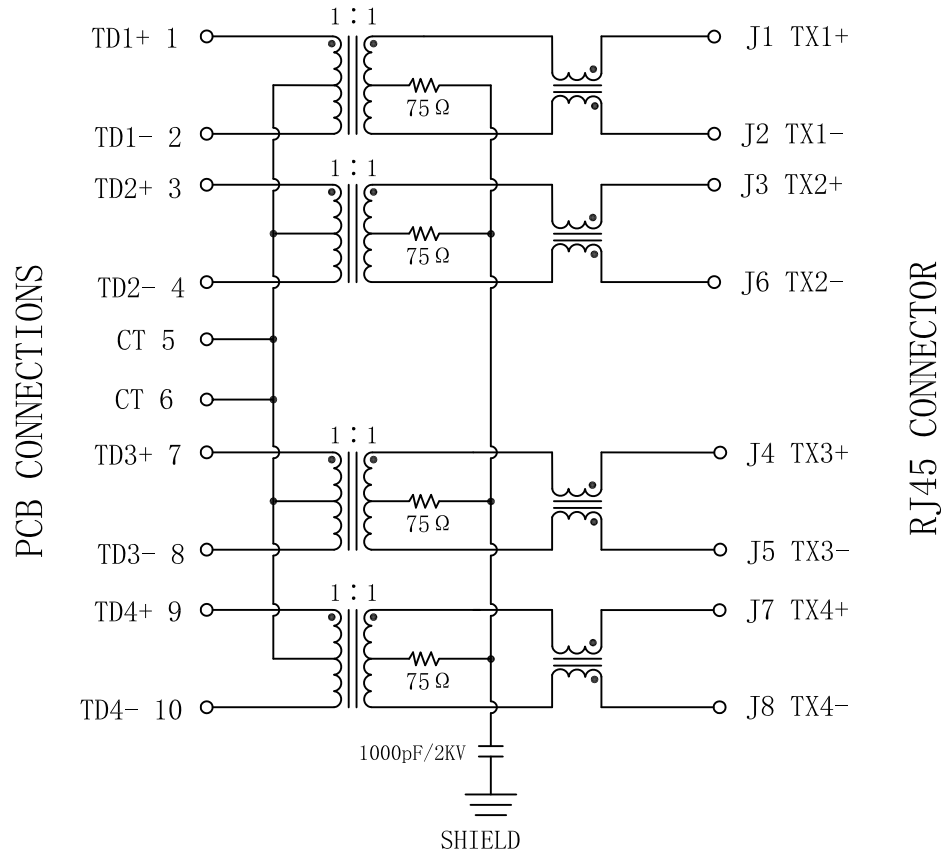


Top Side View

X:X ±0.25	APPD:	<b>Trxcom</b> Huizhou Trxcom Electronics Co., Ltd
X:XX ±0.20	CHKD:	
X:XXX ±0.05	DR: SEA	TITLE: RJ45 Connector with 1000 Base-T Integrated Magnetics
ANGLES ±1°	UNIT: mm	PART NO.: TRJG4801ABNL
	SCALE: 2/1	SHEET: 1/4
	REV: A	DWG NO.: TRC10091803

Schematic:

REV.	ECN NO.	DESCRIPTION	DATE	APPD
A	REL		2010-09-18	



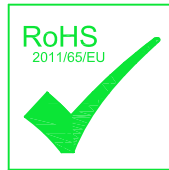
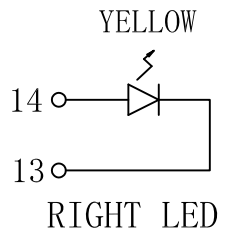
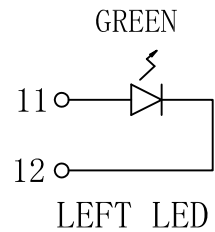
Electrical Specifications @ 25°C

- Turns Ratio:  
Pri : SeC = 1CT : 1CT
- Inductance (@100KHz, 100mV, 8mA DC Bias):  
J1-J2; J3-J6; J4-J5; J7-J8: 350uH Min
- Insertion Loss:  
0.3~100MHz: -1.2dB Max
- Return Loss (dB Min. load 100 Ω):  
1~30MHz: -16                      40MHz: -13.5  
50MHz: -11.5                      60~80MHz: -10
- Crosstalk (dB Min):  
30MHz: -40                      60MHz: -36  
100MHz: -30
- Differential to Common Mode Rejection:  
30MHz: -35dB Min              60MHz: -32dB Min  
100MHz: -30dB Min
- Isolation Voltage: 1500Vrms
- Operating Temperature Range: -40°C ~ +85°C.

PCB CONNECTIONS

RJ45 CONNECTOR

Emitting Color	λ p(nm)	VF@IF=20mA	IR @VR=5V
GREEN	565	1.8~2.6V	10 μ A max
YELLOW	585	1.8~2.6V	10 μ A max

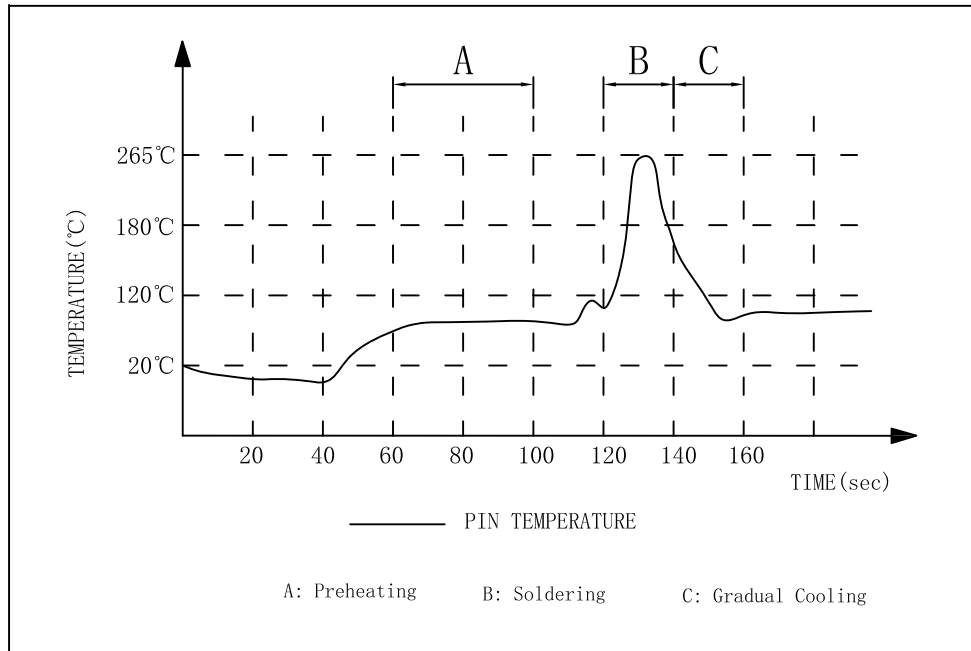


X:X ±0.25	APPD:	<b>Trxcom</b> Huizhou Trxcom Electronics Co.,Ltd
X:XX ±0.20	CHKD:	
X:XXX ±0.05	DR: SEA	TITLE: RJ45 Connector with 1000 Base-T Integrated Magnetics
ANGLES ±1°	UNIT: mm	PART NO.: TRJG4801ABNL
	SCALE: 2/1	SHEET: 2/4
	REV: A	DWG NO.: TRC10091803

REV.	ECN NO.	DESCRIPTION	DATE	APPD
A	REL		2010-09-18	

SUGGESTED PROFILE OF WAVE SOLDER FOR ROHS PRODUCT

REV: A  
 TEMP(°C): 25  
 HUM(%): 65 RH

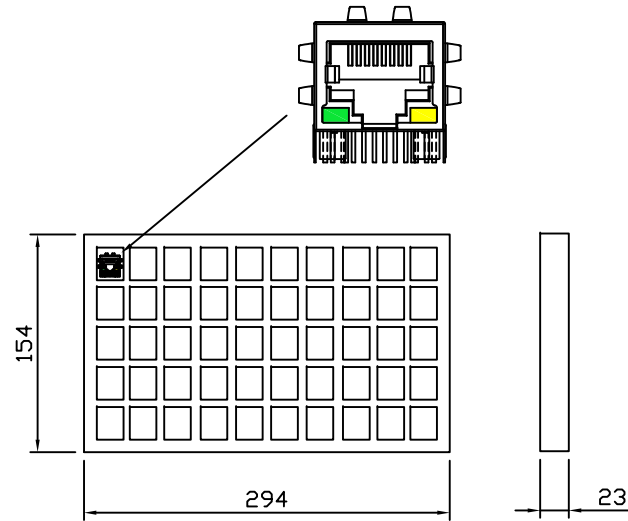


- (1) Tip Temperature: 265°C max
  - (2) Tip Temperature time: 5sec max
- Note: The melting point of Tin: 219°C

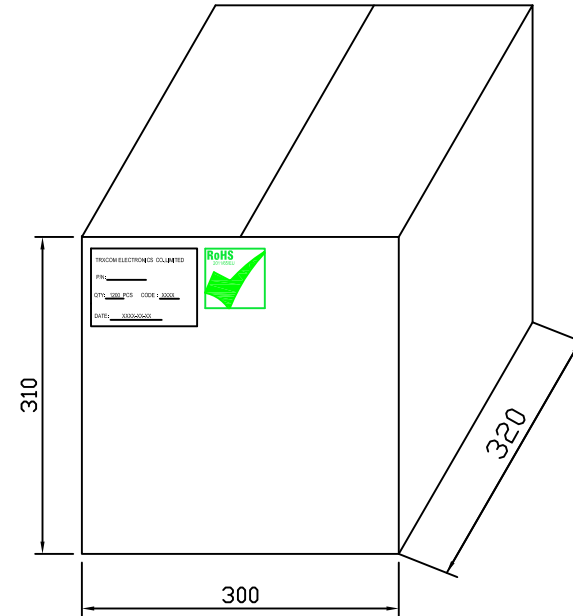
X:X ±0.25	APPD:	<b>Trxcom</b> Huizhou Trxcom Electronics Co.,Ltd
X:XX ±0.20	CHKD:	
X:XXX ±0.05	DR: SEA	TITLE: RJ45 Connector with 1000 Base-T Integrated Magnetics
ANGLES ±1°	UNIT: mm	PART NO.: TRJG4801ABNL
	SCALE: 2/1	SHEET: 3/4
	REV: A	DWG NO.: TRC10091803

Packaging:

REV.	ECN NO.	DESCRIPTION	DATE	APPD.
A	REL		2010-09-18	



24Tray →



- ◆ Packaging unit :50pcs/tray
- ◆ Packaging material:PVC
- ◆ Outer carton unit:1200pcs/24tray/box
- ◆ Net Weight:8kg
- ◆ Gross Weight:10kg

X:X	±0.25	APPD:	<b>Trxcom</b> Huizhou Trxcom Electronics Co.,Ltd.		
X:XX	±0.20	CHKD:			
X:XXX	±0.05	DR: SEA	TITLE: 1*1 21.3 RJ45 PACKING		
ANGLES	±1°	UNIT: mm	PART NO.: TRJG4801ABNL		
		SCALE: 2/1	SHEET: 4/4	REV: A	DWG NO.: TRC10091803