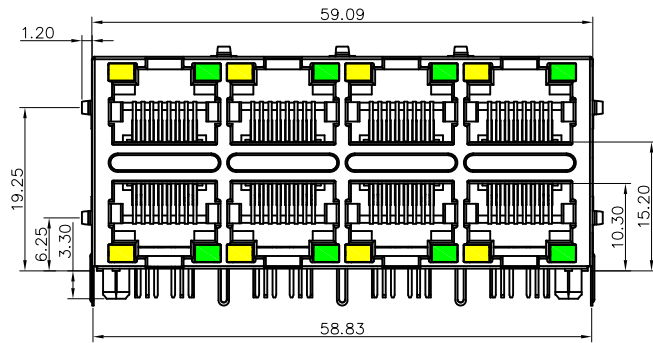
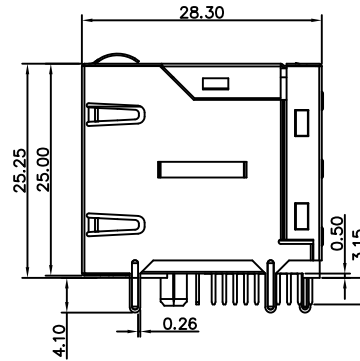


# Mechanical:

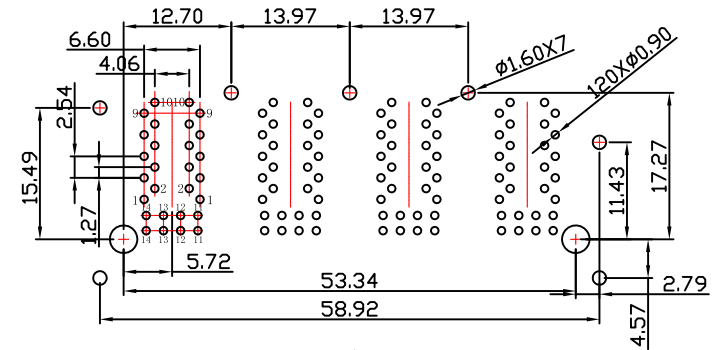
REV.	ECN NO.	DESCRIPTION	DATE	APPD
A	REL		2015-4-21	



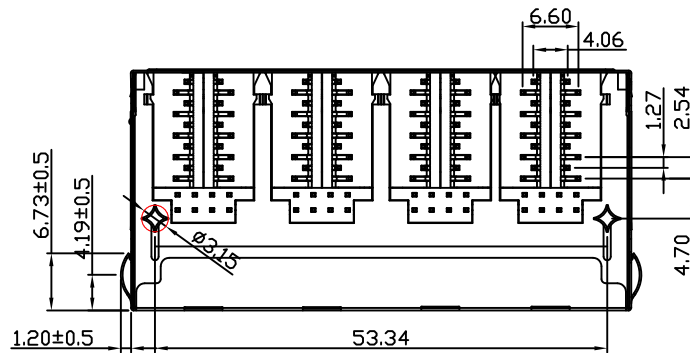
Front Side View



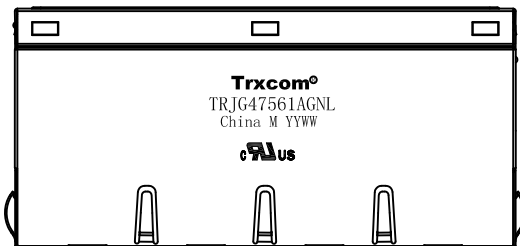
Left Side View



Suggested PCB Layout



Bottom Side View



Top Side View



## NOTES:

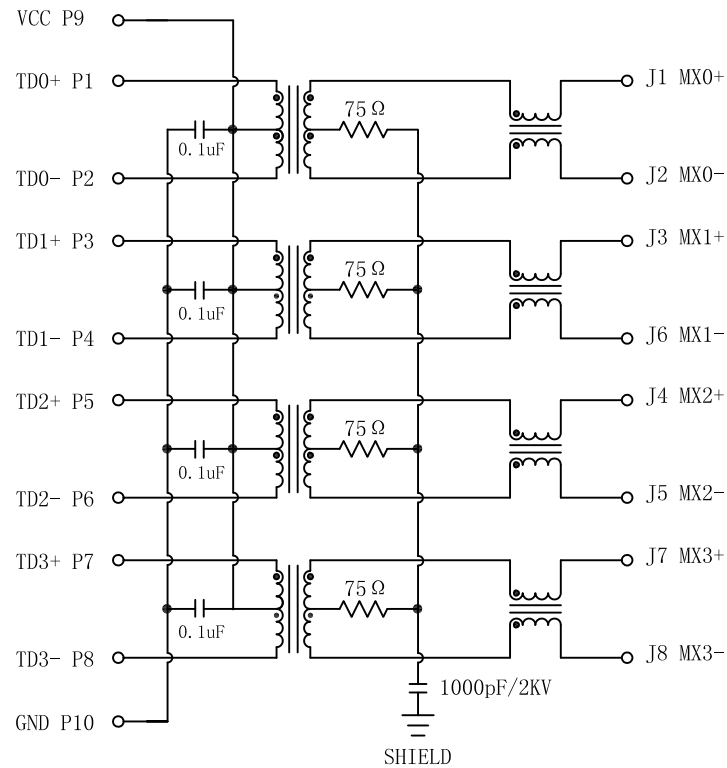
- Meets IEEE 802.3 specification
- Connector Materials:  
 Housing Material: Thermoplastic PBT+30%G.F UL94V-0  
 Contact Material: Phosphor Bronze C5210R-EH Thickness=0.35mm  
 Pins: Brass C2680R-H Thickness=0.35mm  
 Shield: Copper alloy Brass H65Y Thickness=0.20mm  
 Shield plating: Nickel  
 Contact plating: Gold 6 micro-inches min. In contact area.
- Wave solder tip temperature: 265°C Max, 5 Sec Max
- UL Certification: File Number E321120

X:X ±0.25	APPD:	<b>Trxcom</b>		
X:XX ±0.20	CHKD:		Huizhou Trxcom Electronics Co.,Ltd.	
X:XXX ±0.05	DR: GRANT	TITLE: 2*4 RJ45 Connector with 1000 Base-T Integrated Magnetics		
ANGLES ±1°	UNIT: mm	PART NO.: TRJG47561AGNL		
	SCALE: 2/1	SHEET: 1/2	REV: A	DWG NO.: TRC15082702

# Schematic:

REV.	ECN NO.	DESCRIPTION	DATE	APPD
A	REL		2015-4-21	

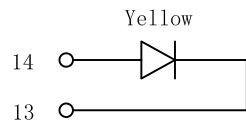
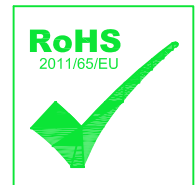
PCB SIDE



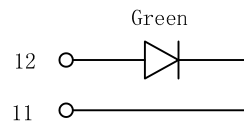
CABLE SIDE

## ELECTRICAL SPECIFICATIONS @25°C

- Turn Ratio ( $\pm 3\%$ ):  
TX=1CT:1CT      RX=1CT:1CT
- Inductance OCL:  
350uH MIN @ 100KHz 0.1V 8mA DC Bias
- DCR: 1.2  $\Omega$  MAX
- Insertion Loss:  
-1.0dB MAX @ 1-100MHz
- Return Loss:  
-18dB MIN @ 1-30MHz  
-15dB MIN @ 30-60MHz  
-12dB MIN @ 60-100MHz
- Cross talk:  
-40dB MIN @ 1-30MHz  
-35dB MIN @ 30-60MHz  
-30dB MIN @ 60-100MHz
- Common Mode Rejection:  
-30dB MIN @ 1-100MHz
- Hipot Test: 1500Vrms
- Operating Temperature Range: 0°C TO 70°C



Left LED



Right LED

Emitting Color	$\lambda$ p(nm)	VF@IF=20mA	IR @VR=5V
Green	570	1.8~2.4V	10 $\mu$ A max
Yellow	590	1.8~2.4V	10 $\mu$ A max

X:X	$\pm 0.25$	APPD:	<b>Trxcom</b>	
X:XX	$\pm 0.20$	CHKD:	Huizhou Trxcom Electronics Co.,Ltd.	
X:XXX	$\pm 0.05$	DR: GRANT	TITLE: 2*4 RJ45 Connector with 1000 Base-T Integrated Magnetics	
ANGLES	$\pm 1^\circ$	UNIT: mm	PART NO.: TRJG47561AGNL	
	SCALE: 2/1	SHEET: 2/2	REV: A	DWG NO.: TRC15082702