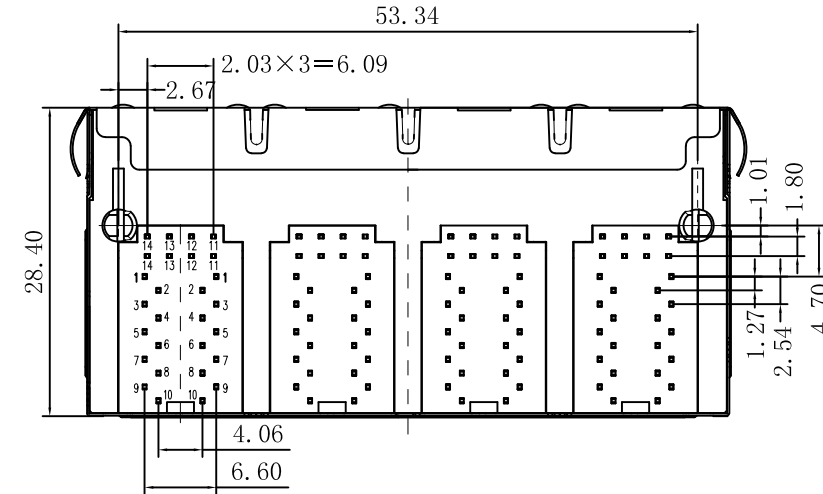
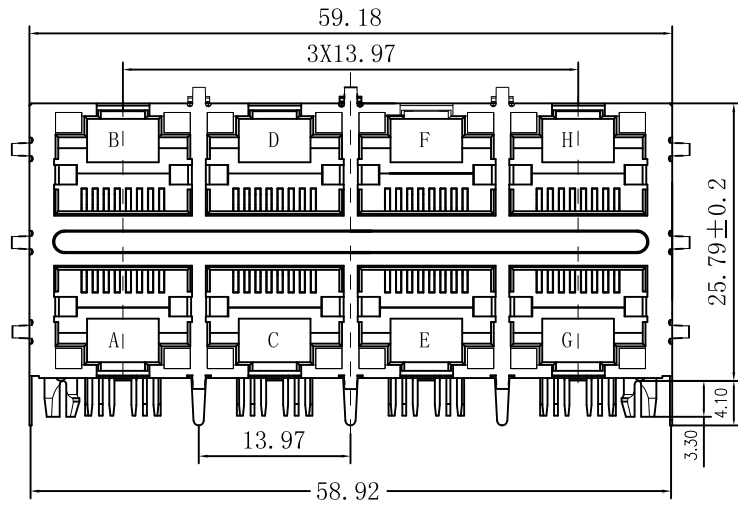


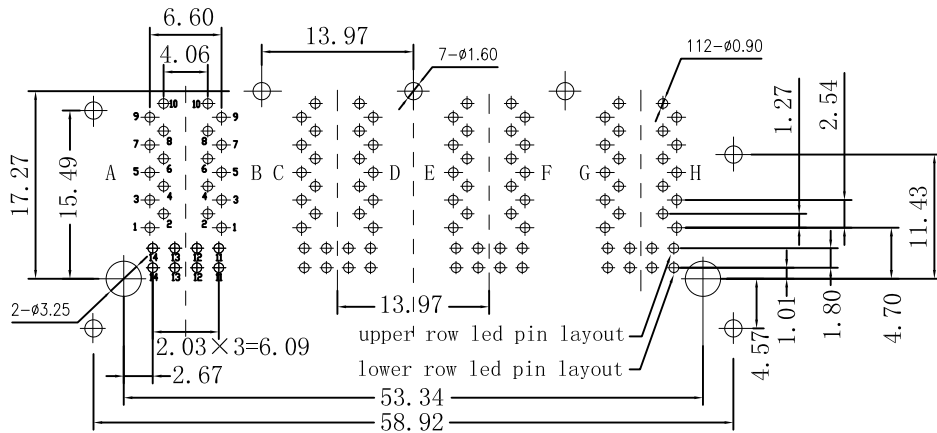
Mechanical :

| REV. | ECN NO. | DESCRIPTION | DATE | APPD |
|------|---------|-------------|------------|------|
| A | REL | | 2012/09/19 | |



NOTES:

1. Designed to support application, such as SOHO (ADSL modems), LAN-on-Motherboard (LOM), hub and Switches.
2. Meets IEEE 802.3 specification
3. Connector Materials:
 Housing: Thermoplastic UL94V-0
 Contact/Shield: Copper alloy
 Shield plating: Nickel
 Contact plating: Gold 6 micro-inches min. In contact area.
4. Wave solder tip temperature: 265°C Max, 5 Sec.
5. UL Certification: File Number E321120



SUGGESTED PCB LAYOUT (TOP VIEW)

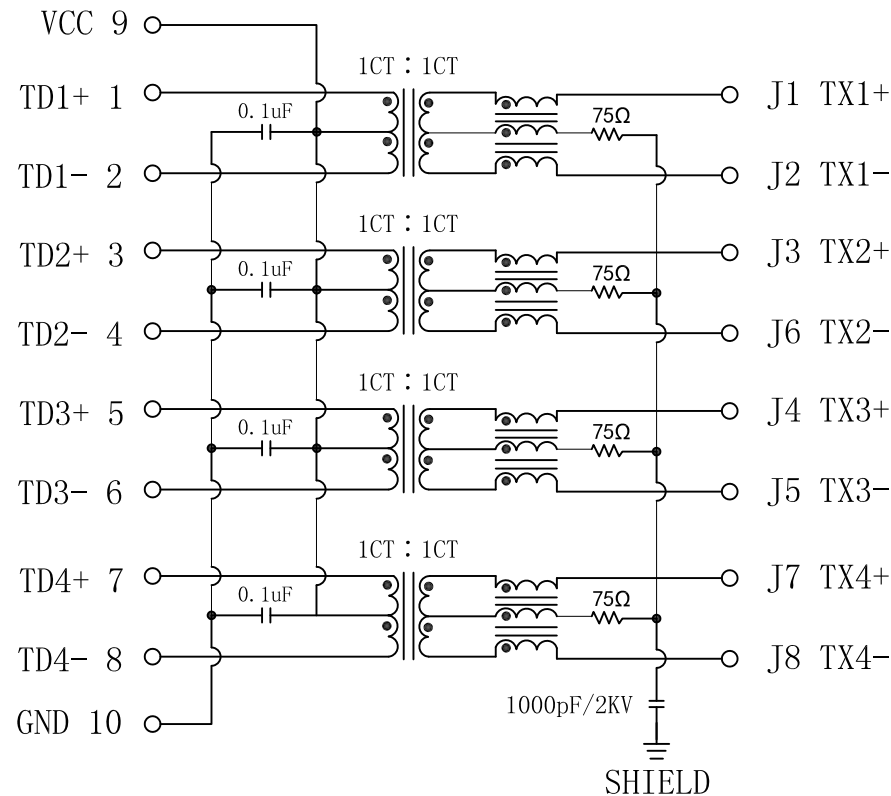


| | | | |
|--------|------------|------------|--|
| X:X | ±0.30 | APPD: | Trxcom Huizhou Trxcom Electronics Co., ltd |
| X:XX | ±0.25 | CHKD: | |
| X:XXX | ±0.05 | DR: SEA | TITLE: RJ45 .Transformer. 1000 Base-T . 2×4 Ports |
| ANGLES | ±1° | UNIT: mm | PART NO.: TRJG47502A47NL |
| | SCALE: 2/1 | SHEET: 1/2 | REV: A |
| | | | DWG NO.: TRC12091905 |

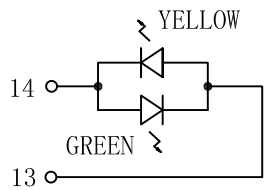
Schematic:

| REV. | ECN NO. | DESCRIPTION | DATE | APPD |
|------|---------|-------------|------------|------|
| A | REL | | 2012/09/19 | |

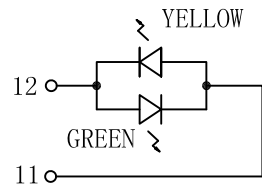
PCB CONNECTIONS



RJ45 CONNECTOR



LEFT LED



RIGHT LED

| Emitting Color | λ_p (nm) | V _F @I _F =20mA | I _R @V _R =5V |
|----------------|------------------|--------------------------------------|------------------------------------|
| GREEN | 565 | 1.8~2.6V | 10 μ A max |
| YELLOW | 585 | 1.8~2.6V | 10 μ A max |



Electrical Specifications @25°C

1. Transmitter & Receiver filter

Insertion Loss:

1~100MHz:-1.0dB MAX

Return Loss:

1~30MHz:-18dB MIN @Load 100 Ω .

40MHz:-16dB MIN @Load 100 Ω .

50MHz:-14.08dB MIN @Load 100 Ω .

60~80MHz:-12.5dB MIN @Load 100 Ω .

100MHz:-10dB MIN @Load 100 Ω .

2. Turns Ratio($\pm 2\%$): 1CT : 1CT

3. Inductance: 350uH MIN

@100KHz, 0.1V, 8mA DC BIAS

4. Crosstalk:

0.5~10MHz:-50dB MIN

30MHz:-40dB MIN

50MHz:-35dB MIN

100MHz:-30dB MIN

5. DCMR:

0.3~30MHz:-50dB MIN

60MHz:-45dB MIN

100MHz:-40dB MIN

6. HiPot Test: 1500Vrms

7. Operating Temperature Range: -40°C ~ +85°C.

| | | | |
|--------|---------------|------------|--|
| X:X | ± 0.30 | APPD: | Trxcom Huizhou Trxcom Electronics Co., ltd |
| X:XX | ± 0.25 | CHKD: | |
| X:XXX | ± 0.05 | DR: SEA | TITLE: RJ45 .Transformer. 1000 Base-T . 2x4 Ports |
| ANGLES | $\pm 1^\circ$ | UNIT: mm | PART NO.: TRJG47502A47NL |
| | SCALE: 2/1 | SHEET: 2/2 | REV: A DWG NO.: TRC12091905 |