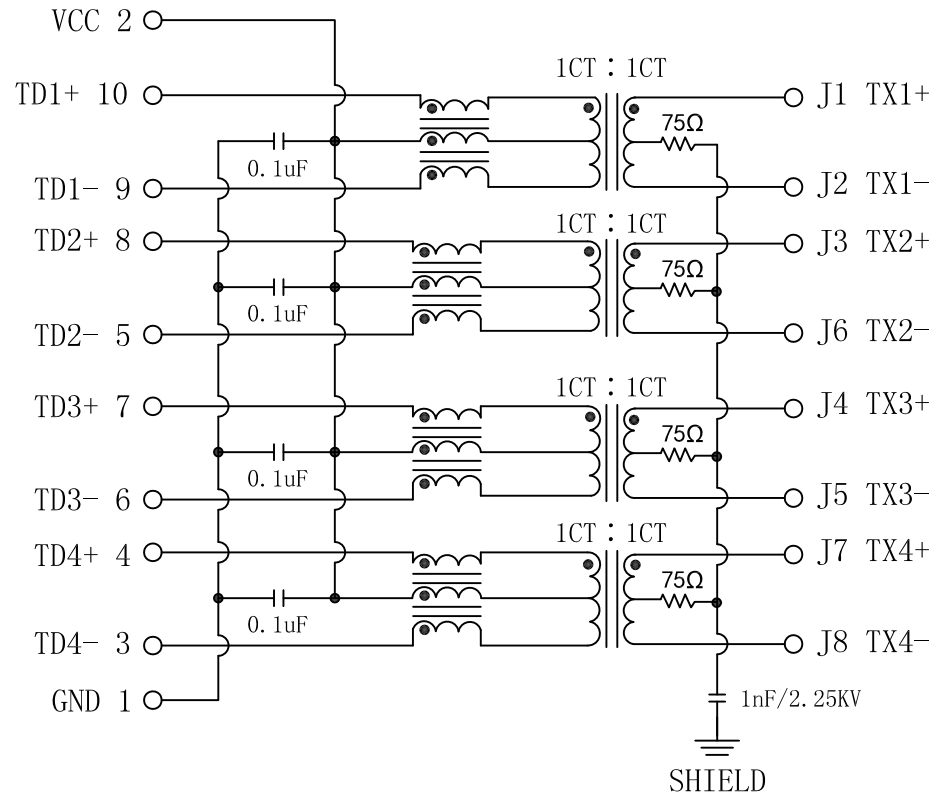


Schematic:

REV.	ECN NO.	DESCRIPTION	DATE	APPD
A	REL		2021/12/22	

PCB CONNECTIONS



RJ45 CONNECTOR

Electrical Specifications @25°C

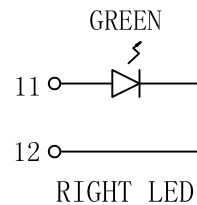
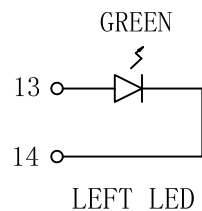
- Turns Ratios:
Pri : Sec = 1CT : 1CT
- OCL: 350uH MIN
@100KHz, 0.1V, 8mA DC Bias.
- Insertion Loss(dB MAX):

1~10MHz:-0.5	10~50MHz:-0.7
50~80MHz:-1.0	80~100MHz:-1.3
- Return Loss(dB MIN):

1~40MHz:-18	40~100MHz:-10.
-------------	----------------
- Next(dB MIN):

1~40MHz:-35	40~100MHz:-27
-------------	---------------
- Common Mode Rejection:
1~100MHz:-30dB MIN
- Hipot Test: 1500Vrms 60sec
- Operating Temperature: 0°C ~ 70°C.

Emitting Color	λp(nm)	VF@IF=20mA	IR @VR=5V
GREEN	565	1.8~2.6V	10 μA max



X:X	±0.25	APPD:	Trxcom Huizhou Trxcom Electronics Co., ltd
X:XX	±0.20	CHKD:	
X:XXX	±0.05	DR: SEA	
ANGLES	±1°	UNIT: mm	TITLE: RJ45 Connector With 1000 Base-TX Integrated Magnetic TAB UP
			PART NO.: TRJG28800AFNL
	SCALE: 2/1	SHEET: 2/2	REV: A DWG: TRC21122201