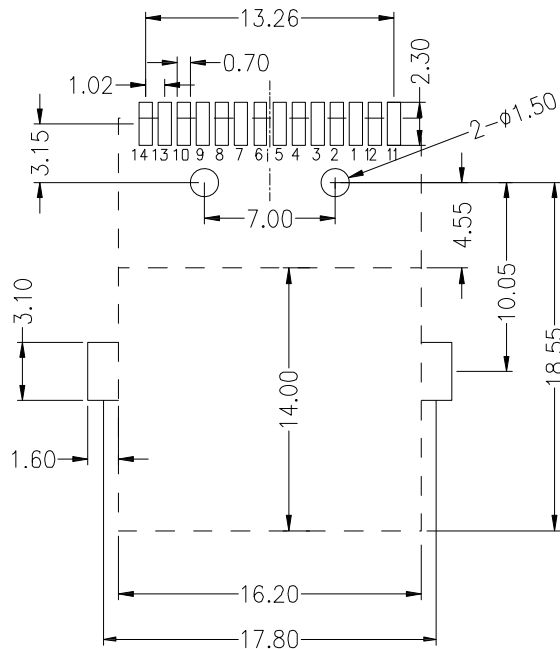
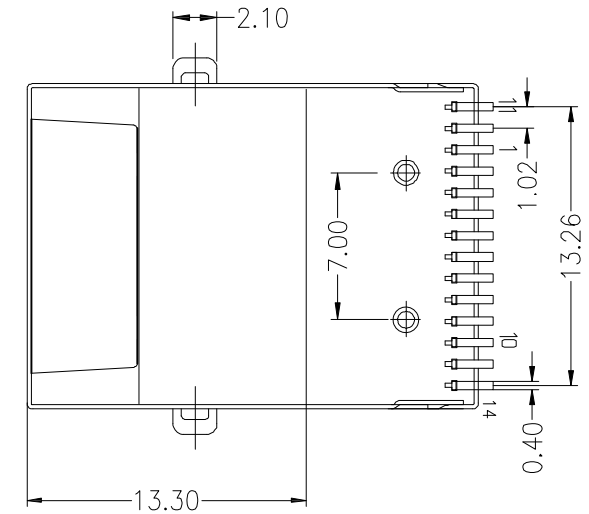
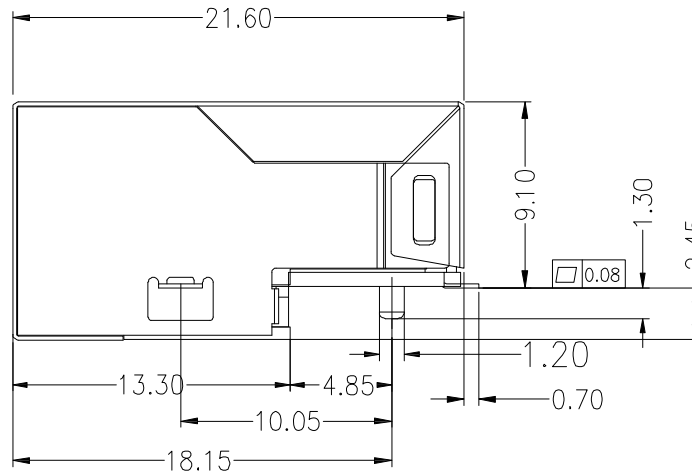
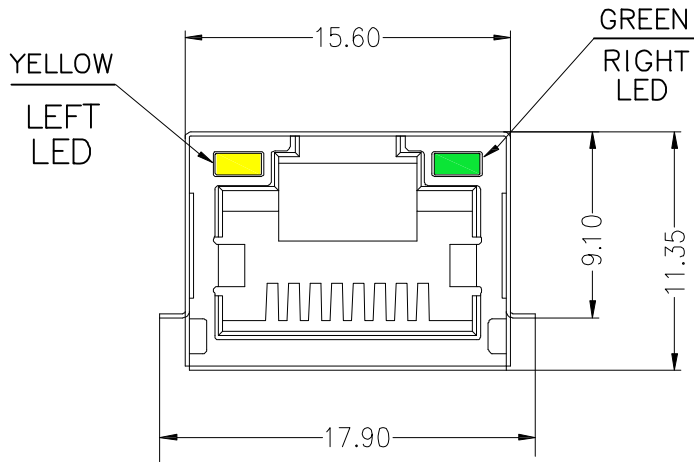


Mechanical:

REV.	ECN NO.	DESCRIPTION	DATE	APPD
A	REL		2016/06/16	



RECOMMENDED P.C.B LAYOUT
Tolerance: ±0.05

NOTES:

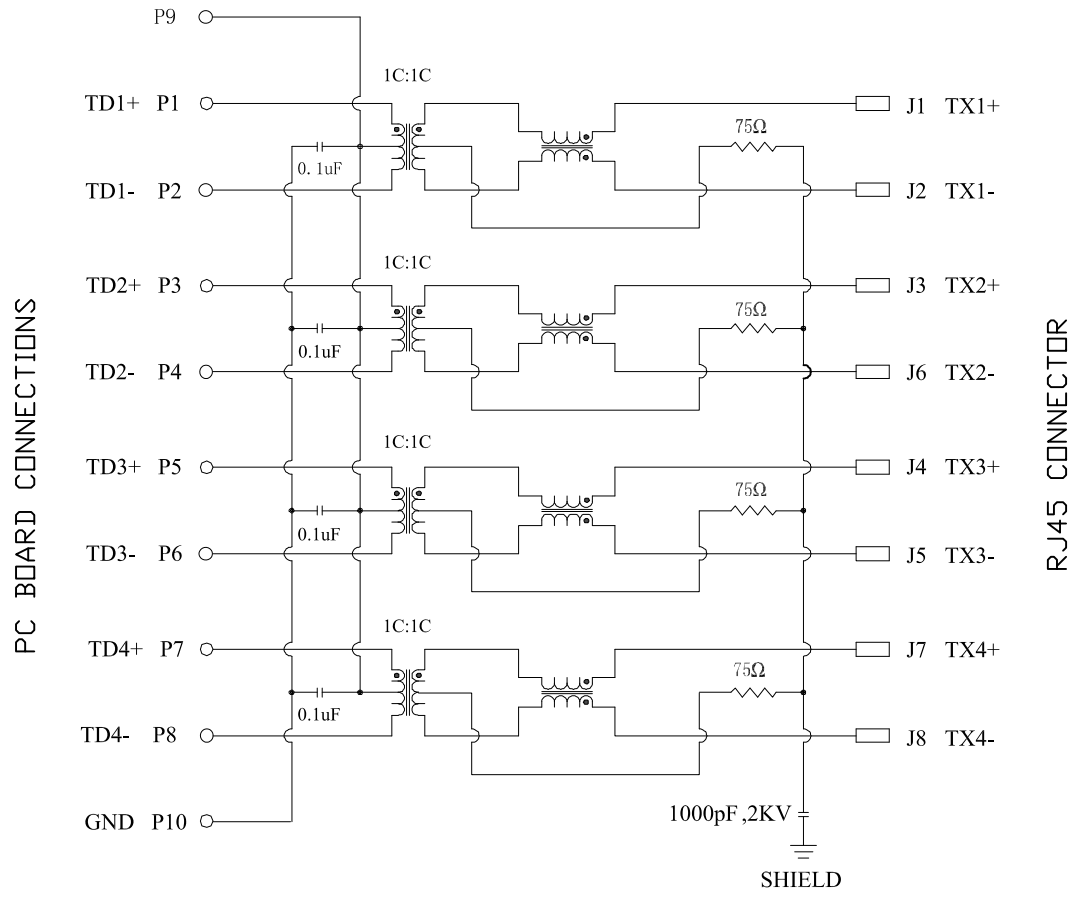
1. Designed to support application, such as SOHO (ADSL modems), LAN-on-Motherboard (LOM), hub and Switches.
2. Meets IEEE 802.3 specification
3. Connector Materials:
Housing: Thermoplastic UL94V-0
Contact/Shield: Copper alloy
Shield plating: Nickel
Contact plating: Gold 6 micro-inches min. In contact area.
4. For RoHS part add suffix NL
5. Reflow soldering 260°C degC for 5~10 sec.
6. UL Certification: File Number E321120.



X:X	±0.25	APPD:	Trxcom Huizhou Trxcom Electronics Co., ltd
X:XX	±0.20	CHKD:	
X:XXX	±0.05	DR: SEA	
ANGLES	±1°	UNIT: mm	TITLE: Surface Mount 1×1 Tab-Up Jack With 10/100/1000 Magnetic
			PART NO.: TRJG19561BGNL
	SCALE: 2/1	SHEET: 1/2	REV: A
		DWG NO: TRC16061610	

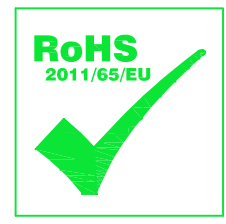
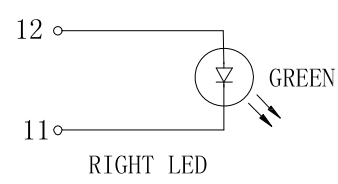
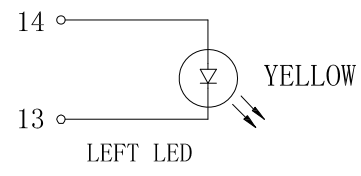
Schematic:

REV.	ECN NO.	DESCRIPTION	DATE	APPD
A	REL		2016/06/16	



Electrical Specifications @ 25°C

- Turns Ratio(@50KHz, 0.1V):
1CT : 1CT ±5%
- INDUCTANCE(@100KHz, 100mV, 8mA DC Bias):
J1-J2; J3-J6; J4-J5; J7-J8: 350uH Min
- Insertion Loss:
1~100MHz: -1.0dB Max
- Return Loss(dB Min):
1~10MHz: -20 30MHz: -16
60~80MHz: -12
- Crosstalk(dB Min):
30~60MHz: -35
60~100MHz: -30
- Common Mode Rejection(dB Min):
1~50MHz: -30 50~100MHz: -20
- Isolation Voltage: 1500Vrms
- Operating Temperature Range: -40°C ~ +85°C.



Emitting Color	λp(nm)	VF@IF=20mA	IR @VR=5V
GREEN	565	1.8~2.6V	10 μA max
YELLOW	585	1.8~2.6V	10 μA max

X:X	±0.25	APPD:	Trxcom Huizhou Trxcom Electronics Co.,ltd
X:XX	±0.20	CHKD:	
X:XXX	±0.05	DR: SEA	
ANGLES	±1°	UNIT: mm	TITLE: Surface Mount 1×1 Tab-Up Jack With 10/100/1000 Magnetic
			PART NO.: TRJG19561BGNL
	SCALE: 2/1	SHEET: 2/2	REV: A
		DWG NO: TRC16061610	