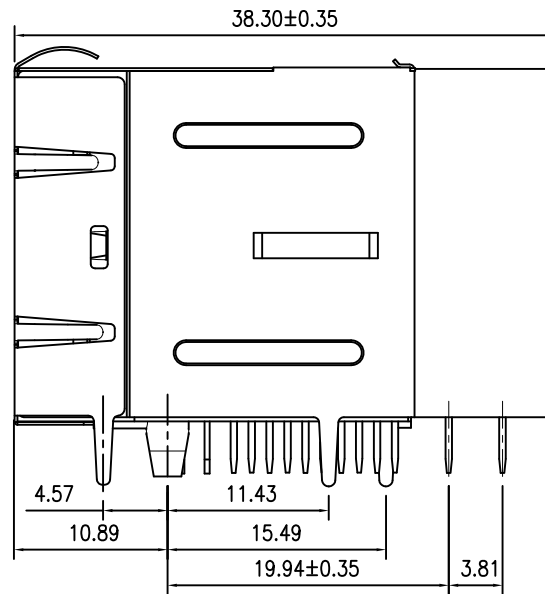
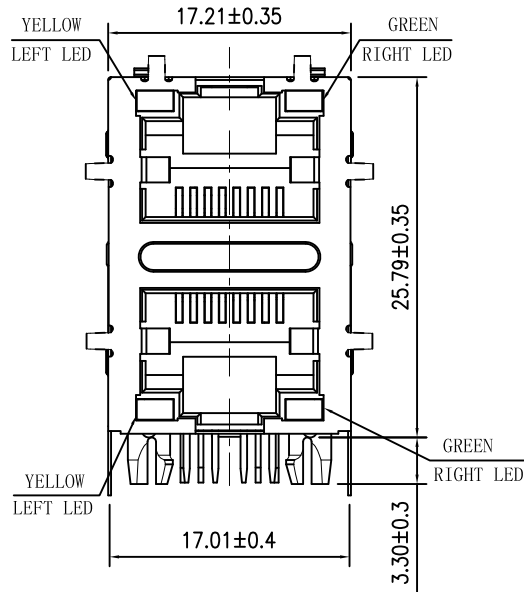


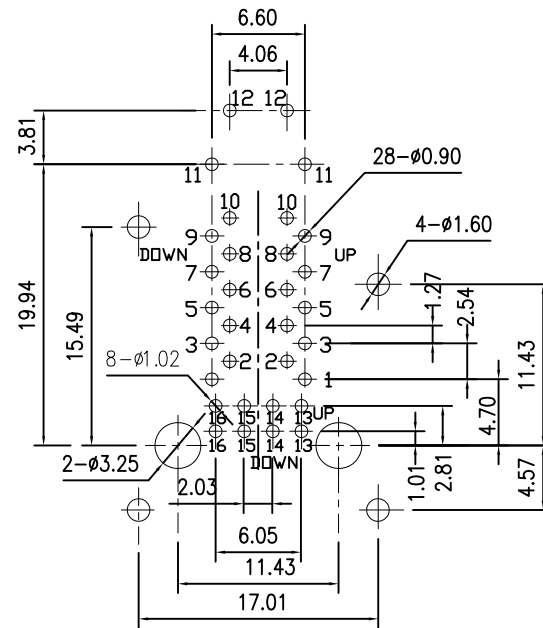
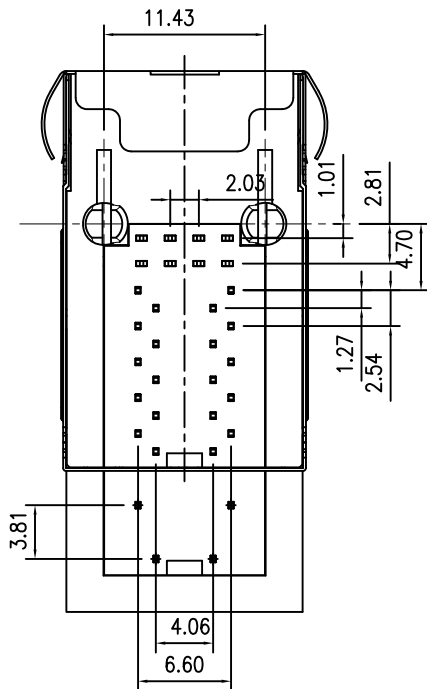
Mechanical :

REV.	ECN NO.	DESCRIPTION	DATE	APPD
A	REL		2014/07/05	



NOTES:

1. Designed to support application, such as SOHO (ADSL modems), LAN-on-Motherboard (LOM), hub and Switches.
2. Meets IEEE 802.3af specification
3. PoE rating: 15W, 350mA, 48V (For PoE Products only)
4. Connector Materials:
Housing: Thermoplastic UL94V-0
Contact/Shield: Copper alloy
Shield plating: Nickel
Contact plating: Gold 6 micro-inches min. In contact area.
5. Wave solder tip temperature: 265°C Max, 5 Sec Max.



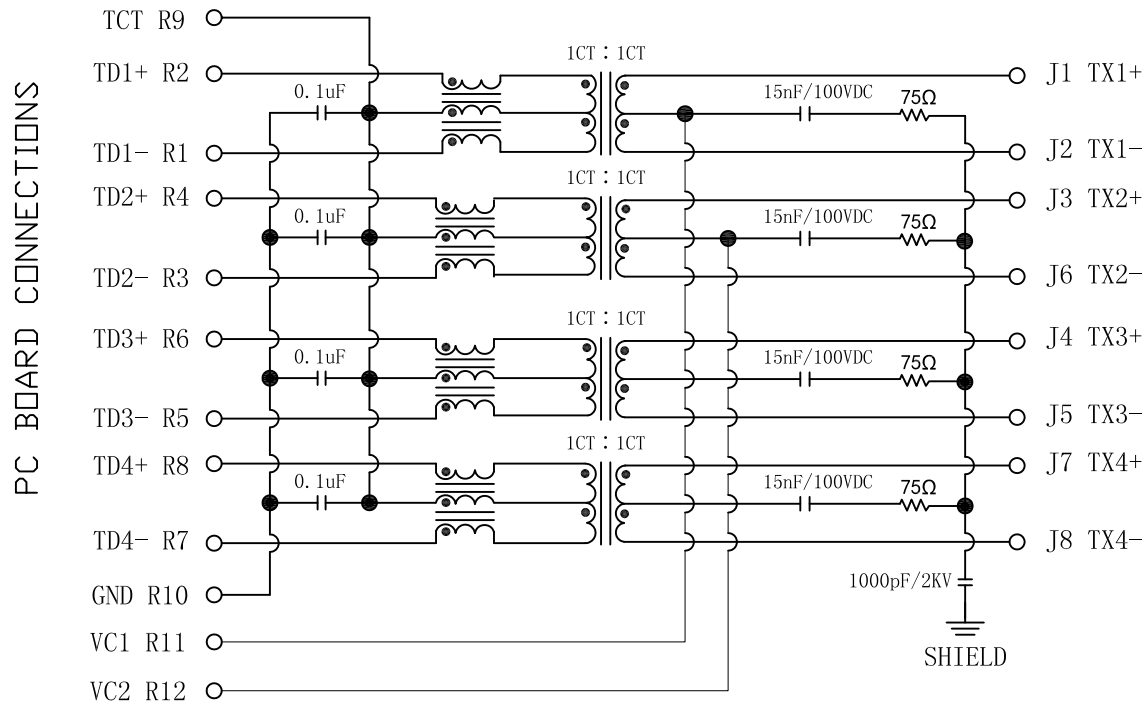
SUGGESTED PCB LAYOUT (TOP VIEW)



X:X	±0.25	APPD:	Trxcom Huizhou Trxcom Electronics Co., Ltd
X:XX	±0.20	CHKD:	
X:XXX	±0.05	DR: SEA	TITLE: RJ45 .Transformer.1000 Base-T. 2×1 Port For PoE Application
ANGLES	±1°	UNIT: mm	PART NO.: TRJG17041AGNL
	SCALE: 2/1	SHEET: 1/2	REV: A DWG NO.: TRC14070510

Schematic:

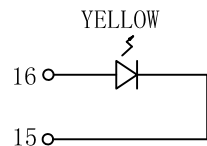
REV.	ECN NO.	DESCRIPTION	DATE	APPD
A	REL		2014/07/05	



RJ45 CONNECTOR

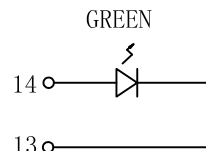
Electrical Specifications @25°C

- Inductance: 350uH Min
@ 100KHz, 0.1V, 8mA DC BIAS
- Turns Ratio($\pm 3\%$): 1CT : 1CT
- Insertion Loss(dB Max):
1-125MHz:-1.2
- Return Loss(dB Min):
1-30MHz:-18
30-80MHz:-18+20log(f/30MHz)
- Crosstalk:
1-100MHz:-30dB Typ
- Common Mode Rejection:
1-100MHz:-30dB Typ
- Hipot: 1500Vrms/0.5mA.
- Operating Temperature: -40°C ~ +85°C.



LEFT LED

LED POLARITY		COLOR
PIN 16	PIN 15	
+	-	YELLOW



RIGHT LED

LED POLARITY		COLOR
PIN 14	PIN 13	
+	-	GREEN



Emitting Color	λ_p (nm)	V _F @I _F =20mA	I _R @V _R =5V
Green	565	1.8~2.6V	20 μ A max
Yellow	585	1.8~2.6V	20 μ A max

X:X	± 0.25	APPD:	Trxcom Huizhou Trxcom Electronics Co.,Ltd
X:XX	± 0.20	CHKD:	
X:XXX	± 0.05	DR: SEA	TITLE: RJ45 .Transformer.1000 Base-T. 2×1 Port For PoE Application
ANGLES	$\pm 1^\circ$	UNIT: mm	PART NO.: TRJG17041AGNL
	SCALE: 2/1	SHEET: 1/2	REV: A DWG NO.: TRC14070510