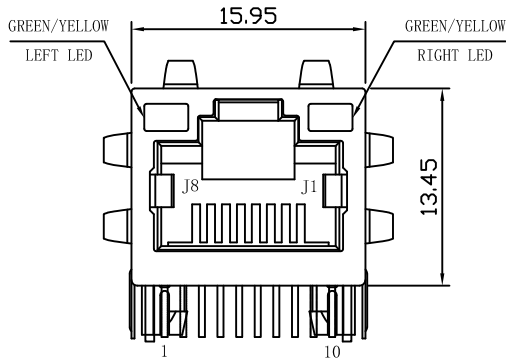
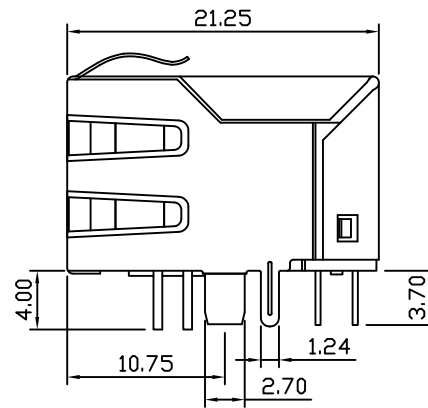


# Mechanical:

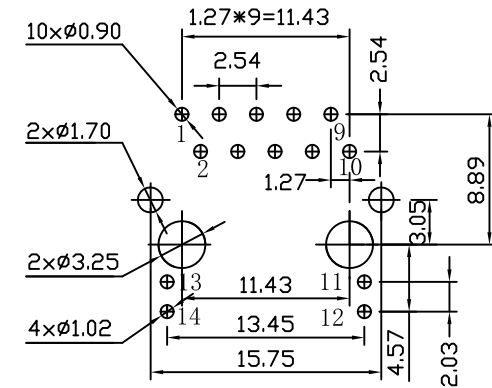
REV.	ECN NO.	DESCRIPTION	DATE	APPD
A	REL		2012-12-18	



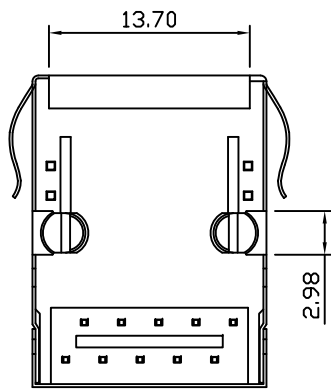
Front Side View



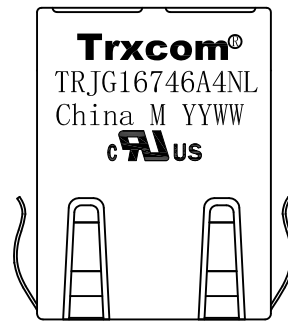
Left Side View



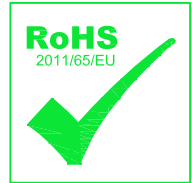
Suggested PCB Layout (Top View)



Bottom Side View



Top Side View



## NOTES:

1. Meets IEEE 802.3 specification
2. Connector Materials:

Housing Material: Thermoplastic PBT+30%G.F UL94V-0

Contact Material: Phosphor Bronze C5210R-EH Thickness=0.35mm

Pins: Brass C2680R-H Thickness=0.35mm

Shield: SUS 201-1/2H Thickness=0.2mm

Contact plating: Gold 6 micro-inches min. In contact area.

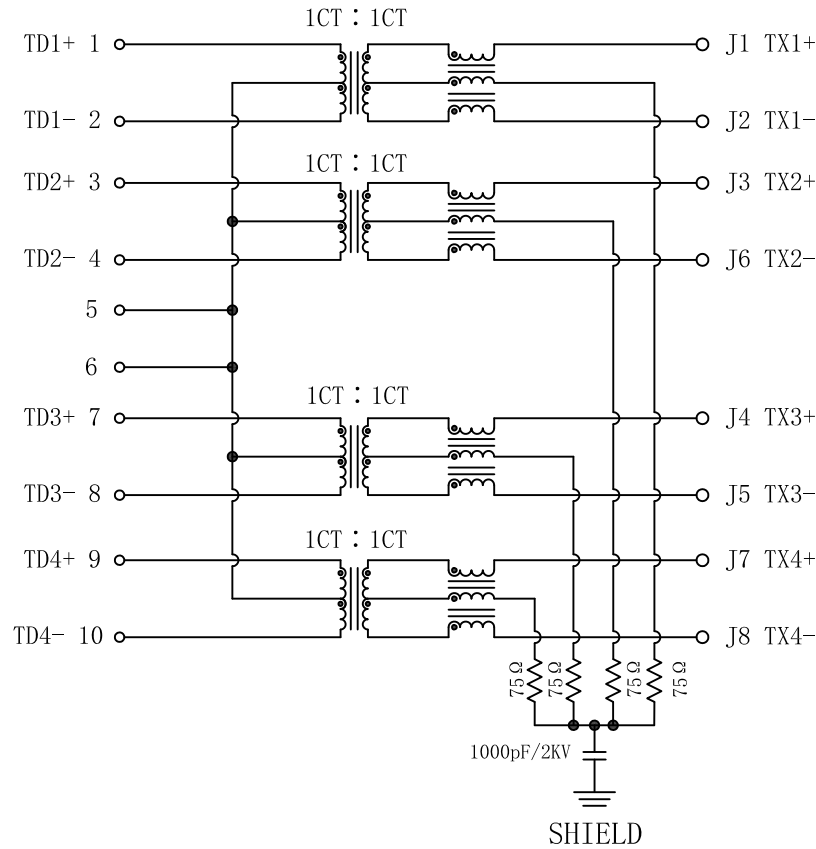
3. Wave solder tip temperature: 265°C Max, 5 Sec Max
4. UL Certification: File Number E321120

X:X ±0.25	APPD:	<b>Trxcom</b>
X:XX ±0.20	CHKD:	
X:XXX ±0.05	DR: SEA	TITLE: RJ45 Connector with 1000 Base-T Integrated Magnetics
ANGLES ±1°	UNIT: mm	PART NO.: TRJG16746A4NL
	SCALE: 2/1	SHEET: 1/4
	REV: A	DWG NO.: TRC12121806

# Schematic:

REV.	ECN NO.	DESCRIPTION	DATE	APPD
A	REL		2012-12-18	

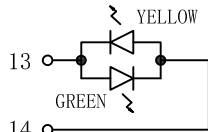
PC BOARD CONNECTIONS



RJ45 CONNECTOR

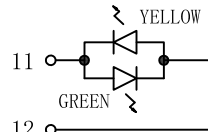
## Electrical Specifications @25°C

- Turns Ratio:  
Pri:Sec= 1CT:1CT ±3%
- Insertion Loss:  
1-100MHz:-1.0dB Max
- Return Loss(dB Min @100Ω):  
1-30MHz:-18      30-60MHz:-14  
60-80MHz:-12      80-100MHz:-10
- Crosstalk:  
1-100MHz:-30dB Min
- Common Mode Rejection:  
1-100MHz:-30dB Min
- OCL(@100KHz, 0.1Vrms, 8mA DC):  
350uH Min.
- Hipot: 1500Vrms Min
- Operating Temperature: -40°C ~+85°C.



LEFT LED

LED POLARITY		COLOR
PIN 13	PIN 14	
+	-	GREEN
-	+	YELLOW



RIGHT LED

LED POLARITY		COLOR
PIN 11	PIN 12	
+	-	GREEN
-	+	YELLOW

Emitting Color	λ p(nm)	VF@IF=20mA	IR @VR=5V
GREEN	565	1.8~2.4V	10 μA max
YELLOW	585	1.8~2.4V	10 μA max

X:X ±0.25	APPD:	<b>Trxcom</b> Huizhou Trxcom Electronics Co.,Ltd.
X:XX ±0.20	CHKD:	
X:XXX ±0.05	DR: SEA	TITLE: RJ45 Connector with 1000 Base-T Integrated Magnetics
ANGLES ±1°	UNIT: mm	PART NO.: TRJG16746A4NL
	SCALE: 2/1	SHEET: 2/4
	REV: A	DWG NO.: TRC12121806

Profile of wave solder:

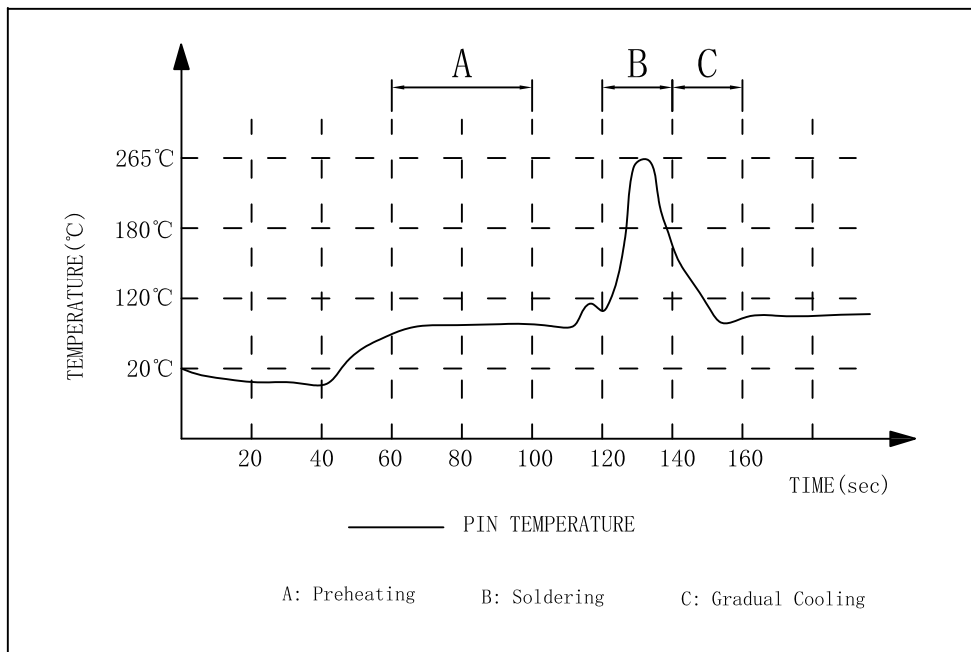
REV.	ECN NO.	DESCRIPTION	DATE	APPD
A	REL		2012-12-18	

SUGGESTED PROFILE OF WAVE SOLDER FOR ROHS PRODUCT

REV: A

TEMP (°C): 25

HUM (%): 65 RH

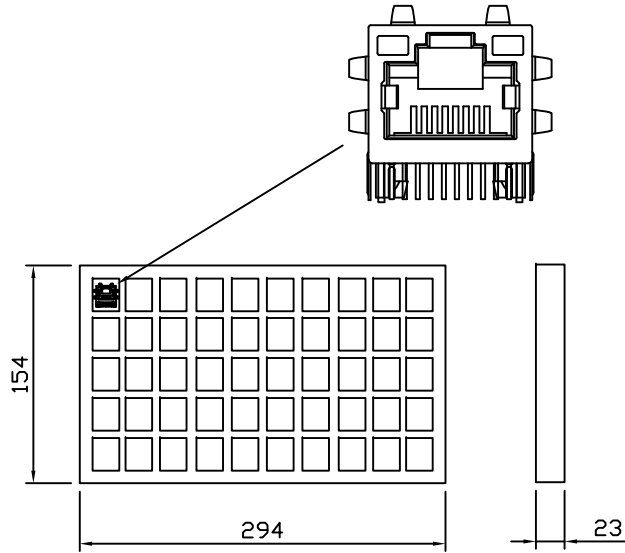


- (1) Tip Temperature: 265°C max
  - (2) Tip Temperature time: 5sec max
- Note: The melting point of Tin: 219°C

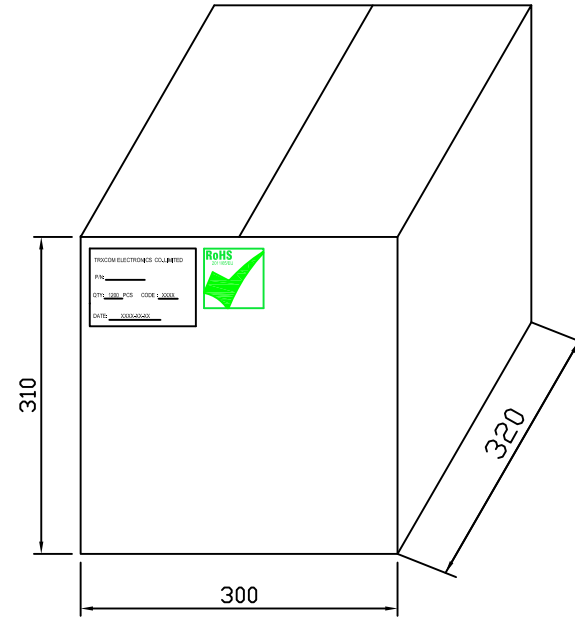
X:X ±0.25	APPD:	<b>Trxcom</b> Huizhou Trxcom Electronics Co.,Ltd.
X:XX ±0.20	CHKD:	
X:XXX ±0.05	DR: SEA	
ANGLES ±1°	UNIT: mm	TITLE: RJ45 Connector with 1000 Base-T Integrated Magnetics
		PART NO.: TRJG16746A4NL
	SCALE: 2/1	SHEET: 3/4
	REV: A	DWG NO.: TRC12121806

Packaging:

REV.	ECN NO.	DESCRIPTION	DATE	APPD
A	REL		2012-12-18	



24Tray →



- ◆ Packaging unit :50pcs/tray
- ◆ Packaging material:PVC
- ◆ Outer carton unit:1200pcs/24tray/box
- ◆ Net Weight:8kg
- ◆ Gross Weight:10kg

X:X ±0.25	APPD:	<b>Trxcom</b> Huizhou Trxcom Electronics Co.,Ltd.
X:XX ±0.20	CHKD:	
X:XXX ±0.05	DR: SEA	TITLE: <b>1*1 21.3 RJ45 PACKING</b>
ANGLES ±1°	UNIT: mm	PART NO.: TRJG16746A4NL
	SCALE: 2/1	SHEET: 4/4
	REV: A	DWG NO.: TRC12121806