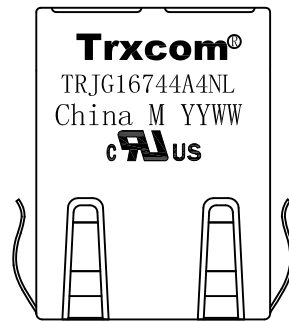
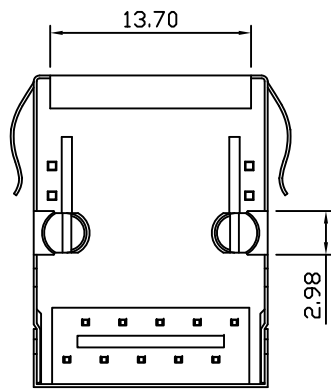
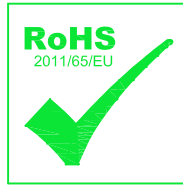
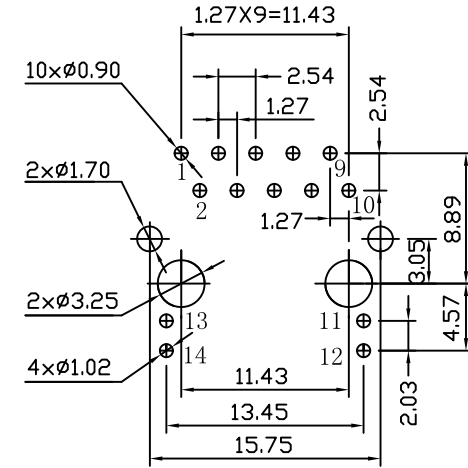
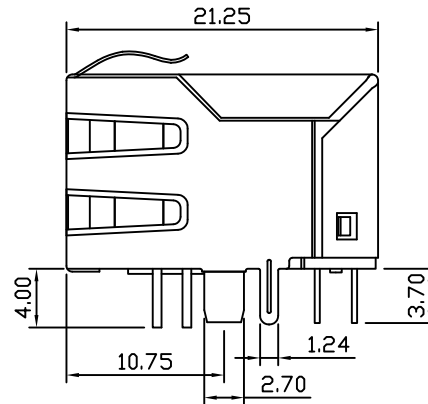
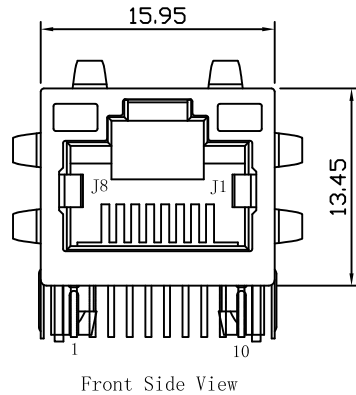


Mechanical:

REV.	ECN NO.	DESCRIPTION	DATE	APPD
A	REL		2016-06-23	



NOTES:

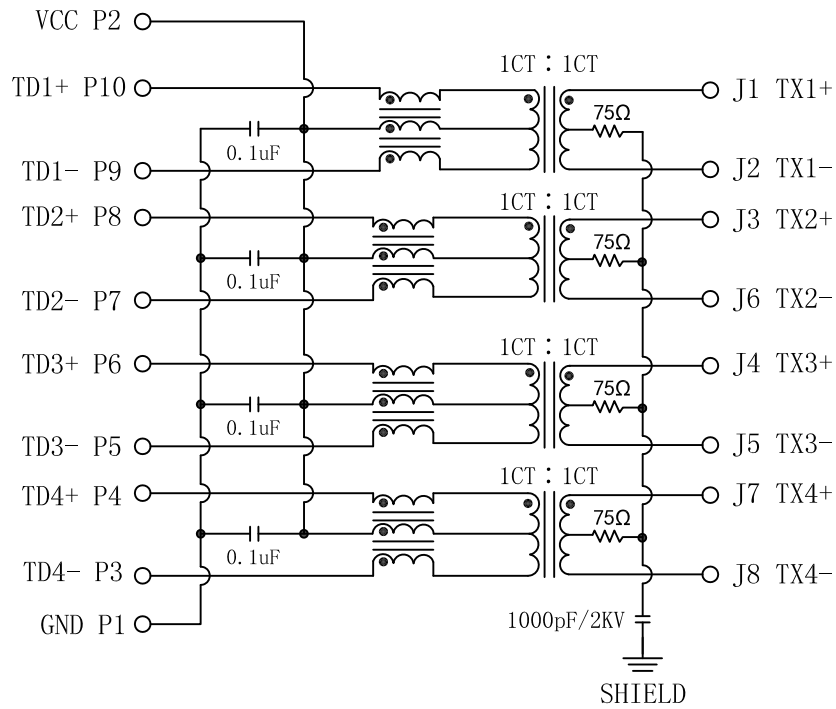
1. Designed to support application, such as SOHO (ADSL modems), LAN-on-Motherboard (LOM), hub and Switches.
2. Meets IEEE802.3 specification
3. Connector Materials:
 Housing: Thermoplastic PBT+30%G.F UL94V-0
 Contact: Phosphor Bronze C5210R-EH Thickness=0.35mm
 Pins: Brass C2680R-H Thickness=0.35mm
 Shield: SUS 201-1/2H Thickness=0.2mm
 Contact plating: Gold 6 micro-inches min. In contact area.
4. Operating voltage: 3.3-5V Max.
 Current: 350mA.
5. Wave solder tip temperature: 265°C Max, 5 Sec.
6. UL Certification: File Number E321120.

X:X ±0.25	APPD:	Trxcom Huizhou Trxcom Electronics Co., Ltd.
X:XX ±0.20	CHKD:	
X:XXX ±0.05	DR: SEA	TITLE: RJ45 Connector with 1000 Base-T Integrated Magnetics
ANGLES ±1°	UNIT: mm	PART NO.: TRJG16744A4NL
	SCALE: 2/1	SHEET: 1/4
	REV: A	DWG NO.: TRC16062316

Schematic:

REV.	ECN NO.	DESCRIPTION	DATE	APPD
A	REL		2016-06-23	

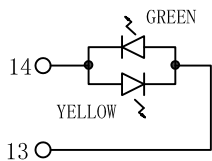
PCB SIDE TO PHY



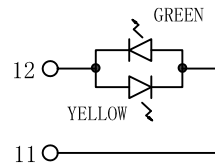
CABLE SIDE

ELECTRICAL SPECIFICATIONS @25°C

- Turn Ratio($\pm 3\%$):
Pri:Sec = 1CT:1CT
- Inductance OCL: 350uH MIN
@100KHz 0.1V 8mA DC Bias
- DCR: 1.2Ω MAX
- Insertion Loss:
-1.0dB MAX @1-100MHz
- Return Loss:
-16dB MIN @1-30MHz
-12dB MIN @30-60MHz
-10dB MIN @60-100MHz
- Cross talk:
-40dB MIN @1-30MHz
-35dB MIN @30-60MHz
-30dB MIN @60-100MHz
- Common Mode Rejection:
-30dB MIN @1-50MHz
-20dB MIN @50-150MHz
- Hipot Test: 1500Vrms
- Operating Temperature: -40°C to +85°C.



LEFT LED



RIGHT LED

Emitting Color	λ_p (nm)	$V_F @ I_F = 20mA$	$I_R @ V_R = 5V$
GREEN	565	1.8~2.6V	10 μA max
YELLOW	585	1.8~2.6V	10 μA max

X:X	± 0.25	APPD:	Trxcom
X:XX	± 0.20	CHKD:	
X:XXX	± 0.05	DR: SEA	TITLE: RJ45 Connector with 1000 Base-T Integrated Magnetics
ANGLES	$\pm 1^\circ$	UNIT: mm	PART NO.: TRJG16744A4NL
	SCALE: 2/1	SHEET: 2/4	REV: A
			DWG NO.: TRC16062316

Profile of wave solder:

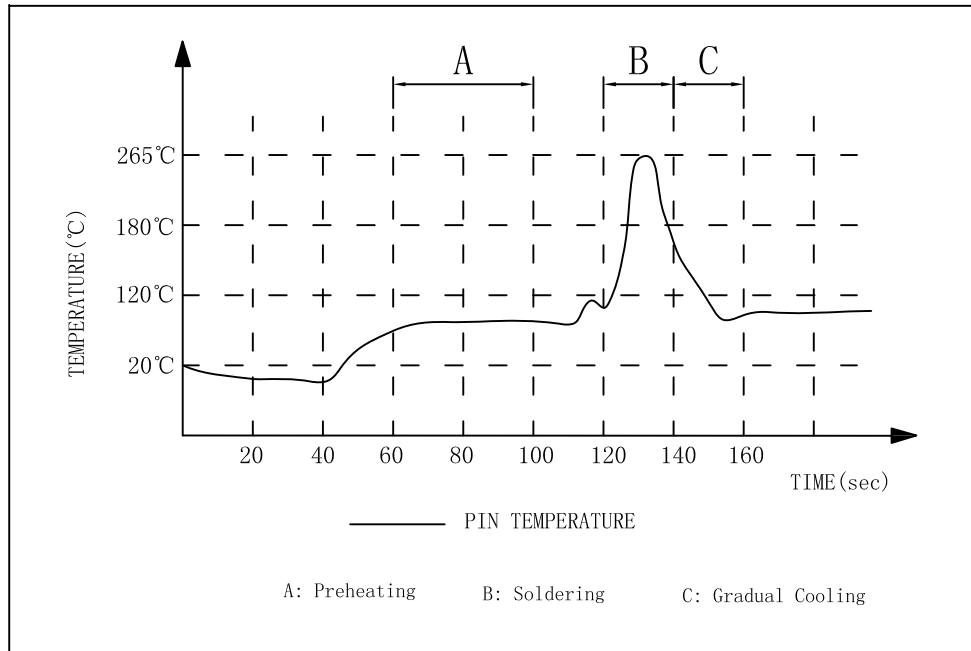
REV.	ECN NO.	DESCRIPTION	DATE	APPD
A	REL		2016-06-23	

SUGGESTED PROFILE OF WAVE SOLDER FOR ROHS PRODUCT

REV: A

TEMP(°C): 25

HUM(%): 65 RH

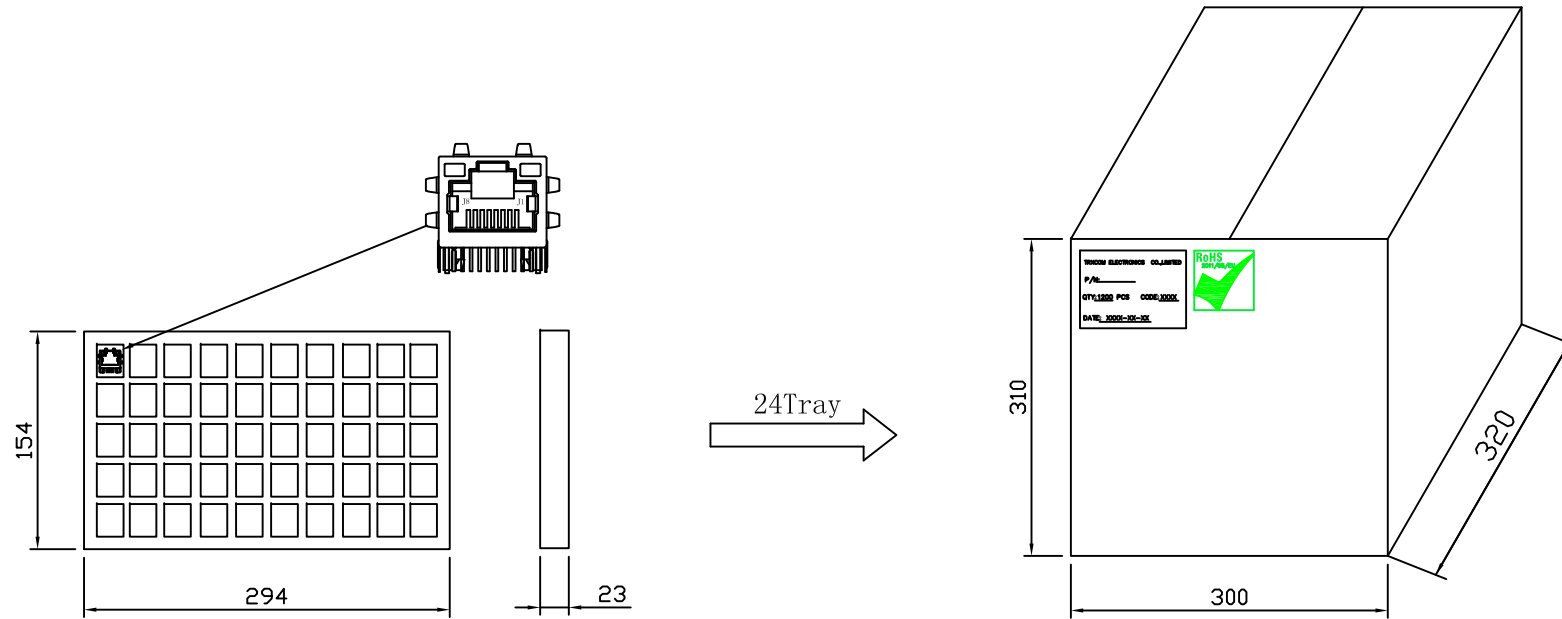


- (1) Tip Temperature: 265°C max
 - (2) Tip Temperature time: 5sec max
- Note: The melting point of Tin: 219°C

X:X ±0.25	APPD:	Trxcom Huizhou Trxcom Electronics Co.,Ltd.
X:XX ±0.20	CHKD:	
X:XXX ±0.05	DR: SEA	TITLE: RJ45 Connector with 1000 Base-T Integrated Magnetics
ANGLES ±1°	UNIT: mm	PART NO.: TRJG16744A4NL
	SCALE: 2/1	SHEET: 3/4
	REV: A	DWG NO.: TRC16062316

Packaging:

REV.	ECN NO.	DESCRIPTION	DATE	APPD
A	REL		2016-06-23	



- ◆ Packaging unit:50pcs/tray
- ◆ Packaging material:PVC
- ◆ Outer carton unit:1200pcs/24tray/box
- ◆ Net Weight:8kg
- ◆ Gross Weight:10kg

X:X	±0.25	APPD:	Trxcom Huizhou Trxcom Electronics Co.,Ltd.		
X:XX	±0.20	CHKD:			
X:XXX	±0.05	DR: SEA	TITLE: 1*1 21.25mm RJ45 PACKING		
ANGLES	±1°	UNIT: mm	PART NO.: TRJG16744A4NL		
		SCALE: 2/1	SHEET: 4/4	REV: A	DWG NO.: TRC16062316