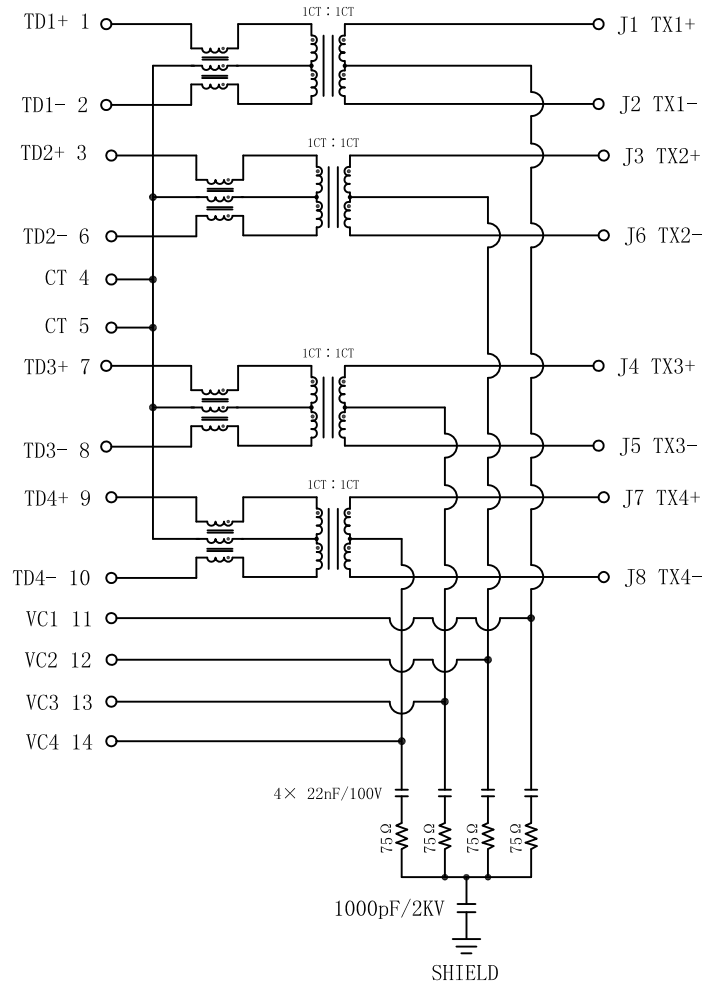
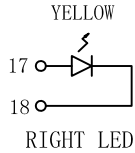
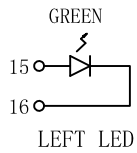


Schematic:

PC BOARD CONNECTIONS



RJ45 CONNECTOR



Emitting Color	λ_p (nm)	VF@IF=20mA	IR @VR=5V
GREEN	565	1.8~2.6V	10 μ A max
YELLOW	585	1.8~2.6V	10 μ A max



REV.	ECN NO.	DESCRIPTION	DATE	APPD
A	REL	① = 4.0mm ② = 3.6mm	2018-02-26	
B	REL	① = 3.7mm (4.0mm \leftrightarrow 3.7mm) ② = 4.1mm (3.6mm \leftrightarrow 4.1mm)	2018-10-16	
C	REL	① = 2.85mm(3.7mm \leftrightarrow 2.85mm)	2019-09-18	

ELECTRICAL SPECIFICATIONS @25°C

- Turn Ratio($\pm 5\%$):
Pri : Sec = 1CT : 1CT
- Inductance OCL:
350uH MIN @100KHz/0.1V, 8mA DC Bias
120uH MIN @100KHz/0.1V, 18mA DC Bias
- Insertion Loss:
-1.0dB MAX @ 1-100MHz
-1.2dB MAX @ 100-125MHz
- Return Loss:
-16dB MIN @ 1-40MHz
-12dB MIN @ 40-60MHz
-10dB MIN @ 60-80MHz
-8dB MIN @ 80-100MHz
- Cross talk:
-30dB MIN @ 1-100MHz
- Common to Common Mode Rejection:
-30dB MIN @ 1-100MHz
- DC Current/Voltage Rating pse Pins:
600mA MAX@54VDC(Continuous)
- Hipot Test: 1500Vrms MIN
- Operating Temperature: 0°C TO 70°C.

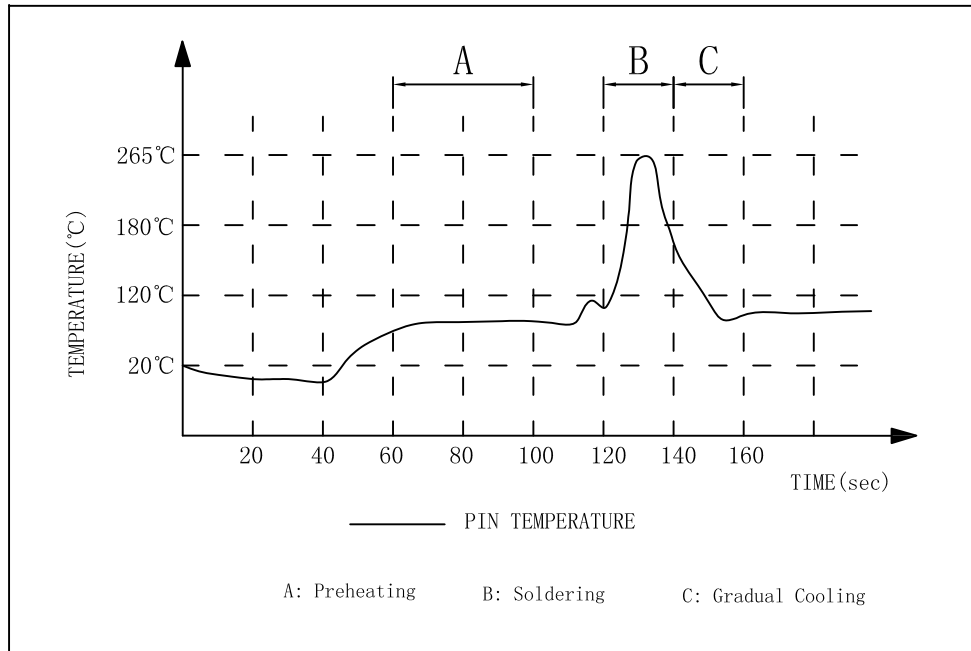
X:X	± 0.25	APPD:	Trxcom Huizhou Trxcom Electronics Co.,Ltd	
X:XX	± 0.20	CHKD:		
X:XXX	± 0.05	DR: SEA	TITLE: RJ45 Connector with 1000 Base-T Integrated Magnetics For PoE+ Application	
ANGLES	$\pm 1^\circ$	UNIT: mm	PART NO.: TRJG0926HENL	
	SCALE: 2/1	SHEET: 2/4	REV: C	DWG NO.: TRC19091813

Profile of wave solder:

REV.	ECN NO.	DESCRIPTION	DATE	APPD
A	REL	① = 4.0mm ② = 3.6mm	2018-02-26	
B	REL	① = 3.7mm (4.0mm ↔ 3.7mm) ② = 4.1mm (3.6mm ↔ 4.1mm)	2018-10-16	
C	REL	① = 2.85mm(3.7mm ↔ 2.85mm)	2019-09-18	

SUGGESTED PROFILE OF WAVE SOLDER FOR ROHS PRODUCT

REV: A
 TEMP(°C): 25
 HUM(%): 65 RH



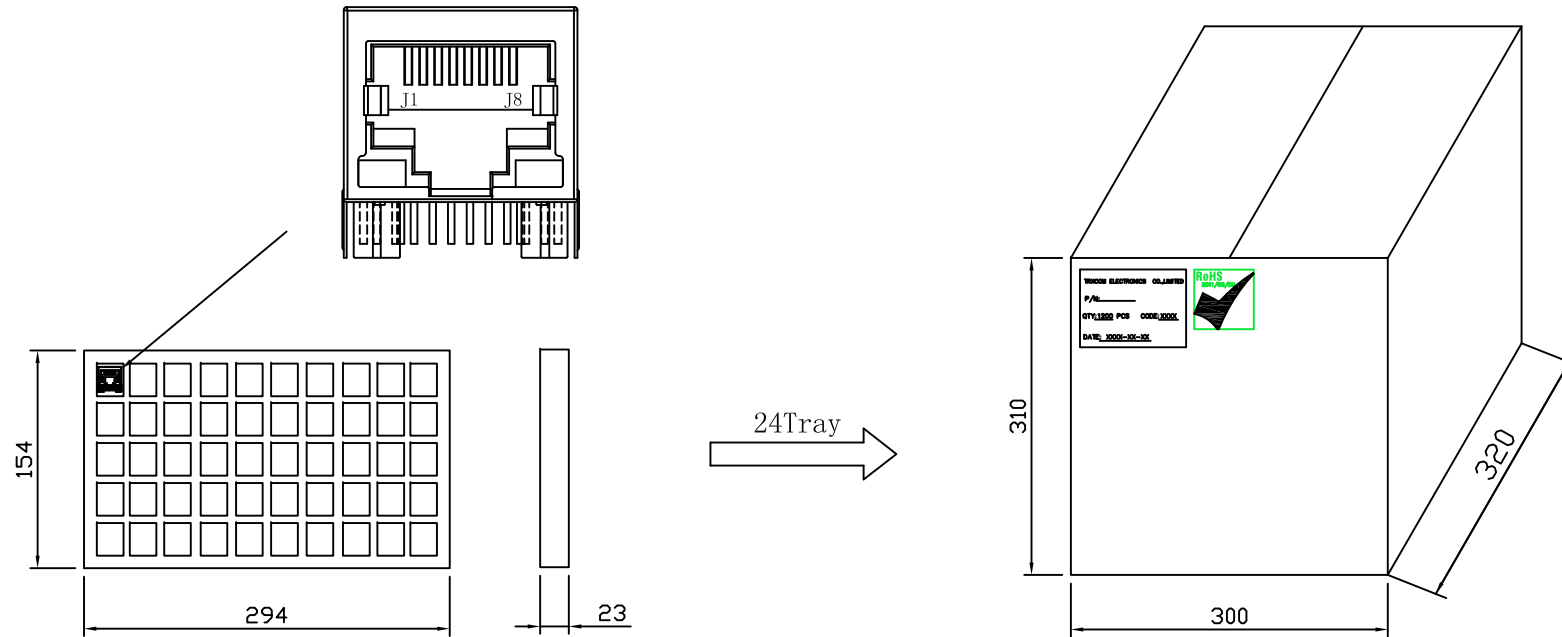
- (1) Tip Temperature: 265°C max
 - (2) Tip Temperature time: 5sec max
- Note: The melting point of Tin: 219°C



X:X ±0.25	APPD:	Trxcom Huizhou Trxcom Electronics Co.,Ltd
X:XX ±0.20	CHKD:	
X:XXX ±0.05	DR: SEA	TITLE: RJ45 Connector with 1000 Base-T Integrated Magnetics For PoE+ Application
ANGLES ±1°	UNIT: mm	PART NO.: TRJG0926HENL
	SCALE: 2/1	SHEET: 3/4
	REV: C	DWG NO.: TRC19091813

Packaging:

REV.	ECN NO.	DESCRIPTION	DATE	APPD
A	REL	① = 4.0mm ② = 3.6mm	2018-02-26	
B	REL	① = 3.7mm (4.0mm ⇨ 3.7mm) ② = 4.1mm (3.6mm ⇨ 4.1mm)	2018-10-16	
C	REL	① = 2.85mm(3.7mm ⇨ 2.85mm)	2019-09-18	



- ◆ Packaging unit: 50pcs/tray
- ◆ Packaging material: PVC
- ◆ Outer carton unit: 1200pcs/24tray/box
- ◆ Net Weight: 8kg
- ◆ Gross Weight: 10kg

X:X	±0.25	APPD:	Trxcom
X:XX	±0.20	CHKD:	
X:XXX	±0.05	DR: SEA	TITLE: 1*1 21.25mm RJ45 PACKING
ANGLES	±1°	UNIT: mm	PART NO.: TRJG0926HENL
		SCALE: 2/1	SHEET: 4/4
		REV: C	DWG NO.: TRC19091813