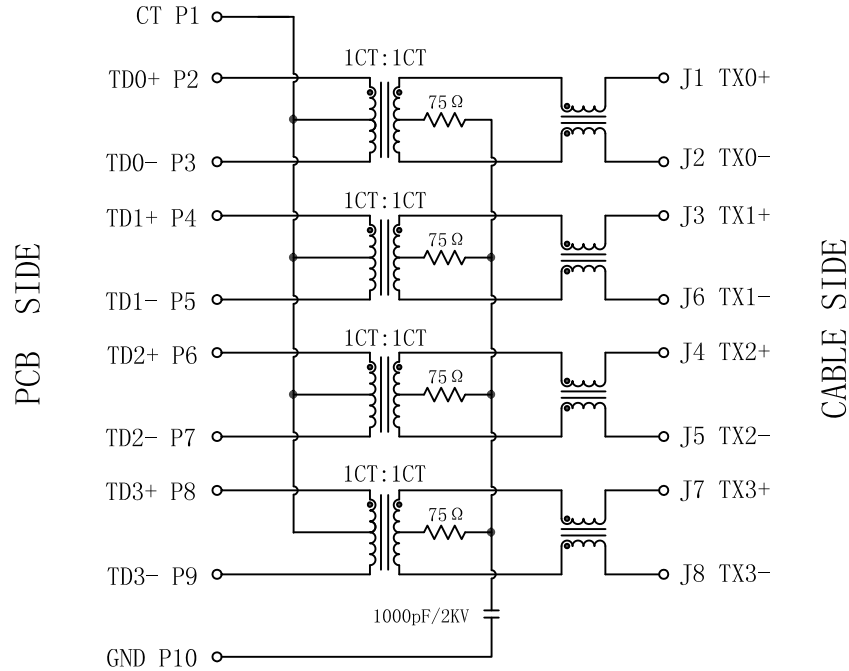


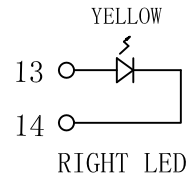
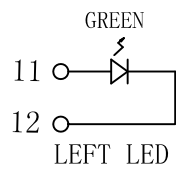
Schematic:

REV.	ECN NO.	DESCRIPTION	DATE	APPD
A	REL	① = 3.70mm ② = 4.00mm	2009/06/19	
B	REL	① = 2.85mm ② = 2.85mm	2021/06/11	



PCB SIDE

CABLE SIDE



Electrical Specifications @ 25°C
unless otherwise noted:

- Turns Ratio:
Pri : Sec = 1CT : 1CT
- Inductance:
350uH Min, 100KHz, 100mV, 8mADC,
J1-J2; J3-J6; J4-J5; J7-J8, LP.
- Insertion Loss:
1-100MHz: -1.0dB Max
- Return Loss (dB Min):
1-40MHz: -18 40-60MHz: -14
60-80MHz: -12 80-100MHz: -10
- Crosstalk:
1-100MHz: -30dB Min
- Common Mode Rejection:
1-100MHz: -35dB Min
- Isolation Voltage: 1500Vrms/60Hz
- Operating temperature: 0°C ~ 70°C.

Emitting Color	λ_p (nm)	V _{F@I_F} =20mA	I _{R @V_R} =5V
YELLOW	585	1.8~2.6V	10 μ A max
GREEN	565	1.8~2.6V	10 μ A max

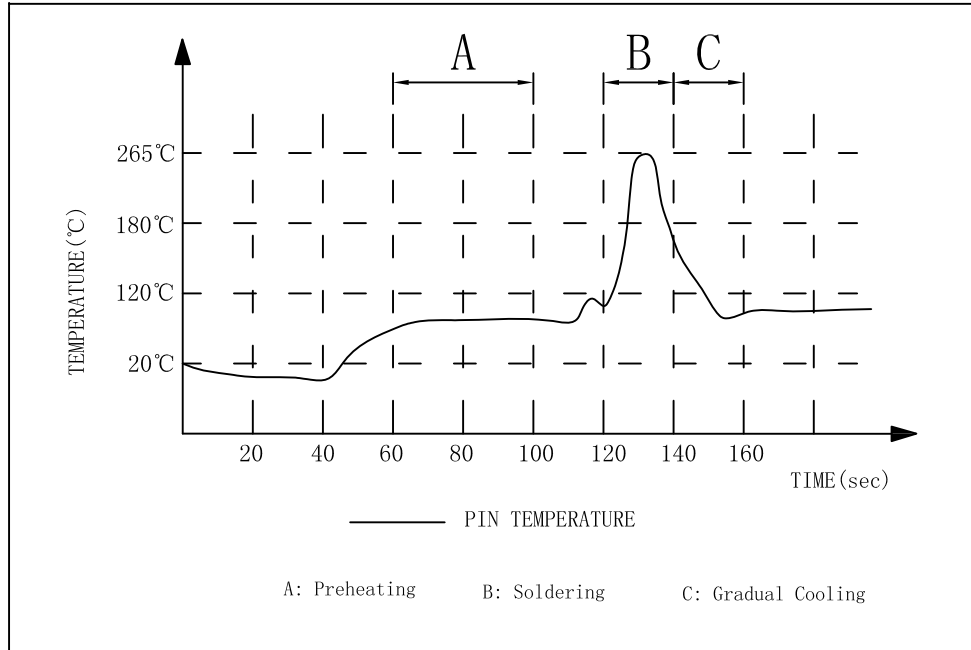
X:X	± 0.30	APPD:	Trxcom
X:XX	± 0.25	CHKD:	
X:XXX	± 0.05	DR: SEA	TITLE: RJ45 Connector with 1000 Base-T Integrated Magnetics
ANGLES	$\pm 1^\circ$	UNIT: mm	PART NO.: TRJG0820GENL
	SCALE: 2/1	SHEET: 2/4	REV: B
			DWG NO.: TRC09061908

Profile of wave solder:

REV.	ECN NO.	DESCRIPTION	DATE	APPD
A	REL	① = 3.70mm ② = 4.00mm	2009/06/19	
B	REL	① = 2.85mm ② = 2.85mm	2021/06/11	

REV: A
 TEMP(°C): 25
 HUM(%): 65 RH

SUGGESTED PROFILE OF WAVE SOLDER FOR ROHS PRODUCT

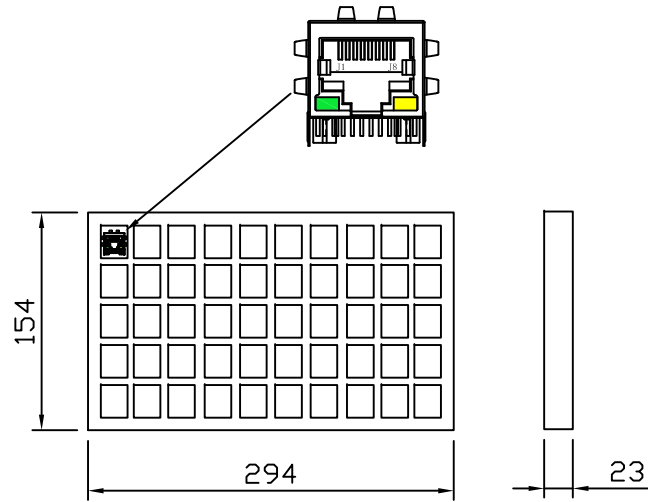


- (1) Tip Temperature: 265°C max
 - (2) Tip Temperature time: 5sec max
- Note: The melting point of Tin: 219°C

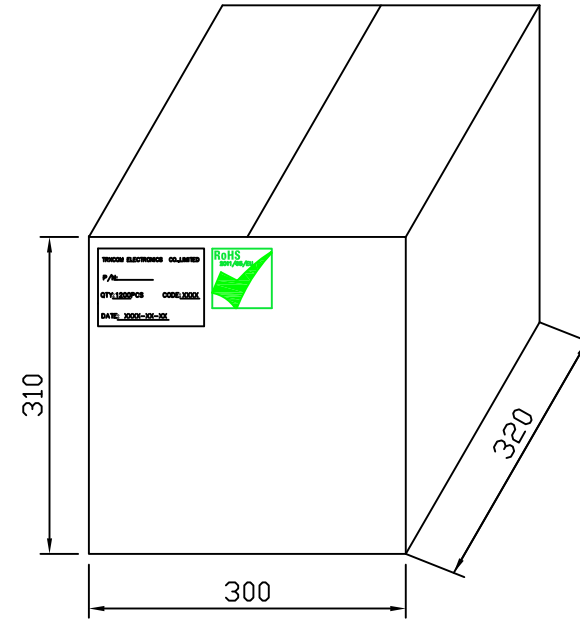
X:X ±0.30	APPD:	Trxcom Huizhou Trxcom Electronics Co.,Ltd.
X:XX ±0.25	CHKD:	
X:XXX ±0.05	DR: SEA	TITLE: RJ45 Connector with 1000 Base-T Integrated Magnetics
ANGLES ±1°	UNIT: mm	PART NO.: TRJG0820GENL
	SCALE: 2/1	SHEET: 3/4
	REV: B	DWG NO.: TRC09061908

Packaging:

REV.	ECN NO.	DESCRIPTION	DATE	APPD
A	REL	① = 3.70mm ② = 4.00mm	2009/06/19	
B	REL	① = 2.85mm ② = 2.85mm	2021/06/11	



24Tray →



- ◆ Packaging unit: 50pcs/tray
- ◆ Packaging material: PVC
- ◆ Outer carton unit: 1200pcs/24tray/box
- ◆ Net Weight: 8kg
- ◆ Gross Weight: 10kg

X:X ±0.30	APPD:	Trxcom Huizhou Trxcom Electronics Co.,Ltd.
X:XX ±0.25	CHKD:	
X:XXX ±0.05	DR: SEA	TITLE: 1*1 21.25mm RJ45 Packing
ANGLES ±1°	UNIT: mm	PART NO.: TRJG0820GENL
	SCALE: 2/1	SHEET: 4/4
	REV: B	DWG NO.: TRC09061908