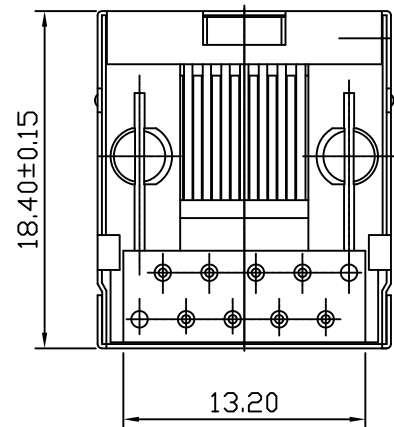
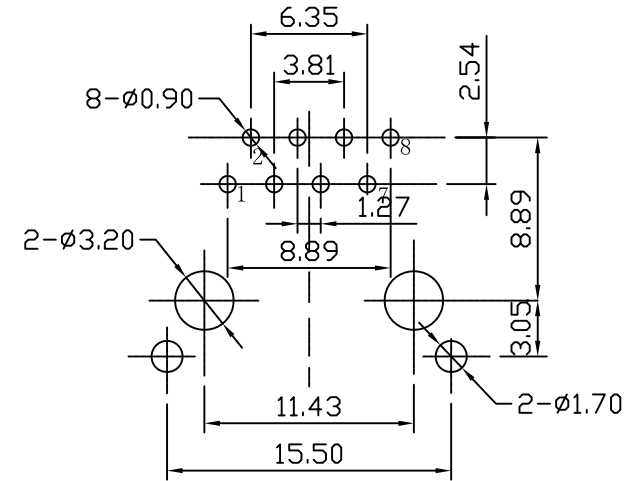
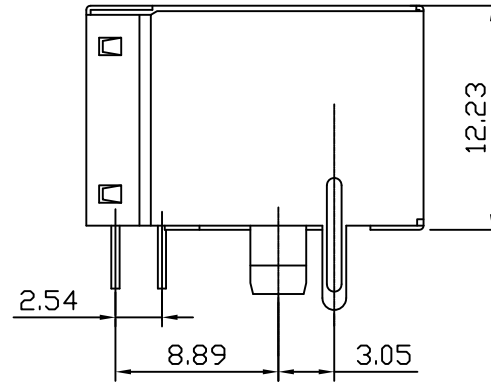
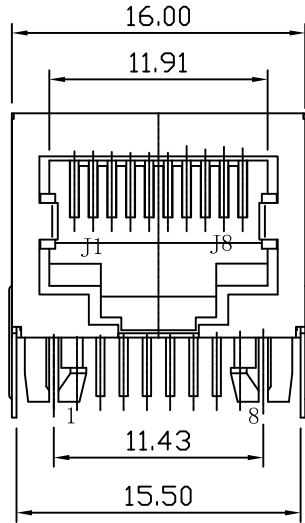


Mechanical:

| REV. | ECN NO. | DESCRIPTION | DATE | APPD |
|------|---------|-------------|------------|------|
| A | REL | | 2015-05-07 | |



NOTES:

Electrical:

- 1. Voltage rating : 125 VAC RMS
- 2. Current Rating : 1.5 AMP
- 3. Contact resistance : 50 mΩ Max
- 4. Insulation resistance : 500 MΩ Min @500V DC
- 5. Dielectric strength : 1000 VAC RMS 60Hz, 1MIN.

MECHANICAL:

- 1. Housing & Insert Material : PBT UL94V-0.
- 2. Contact Material : Diameter 0.46mm Phosphor Bronze
Gold Plating Over Nickel.
- 3. Shield : 0.20-0.25mm Thickness Brass With tin Plated
- 4. Operating Life : 750 Cycles Min.

ENVIRONMENTAL:

- 1. Storage : -40°C ~ +85°C
- 2. Operation : -40°C ~ +85°C.
- 3. Wave solder temperature : 265°C 5 Sec MAX
- 4. UL Certification : File Number E321120.



| | | |
|-------------|------------|-------------------------------------------------------|
| X:X ±0.25 | APPD: | Trxcom Huizhou Trxcom Electronics Co., Ltd. |
| X:XX ±0.20 | CHKD: | |
| X:XXX ±0.05 | DR: SEA | TITLE: RJ45 1×1 Connector |
| ANGLES ±1° | UNIT: mm | PART NO.: TRJEF180DNL |
| | SCALE: 2/1 | SHEET: 1/1 |
| | REV: A | DWG NO.: TRC15040185 |