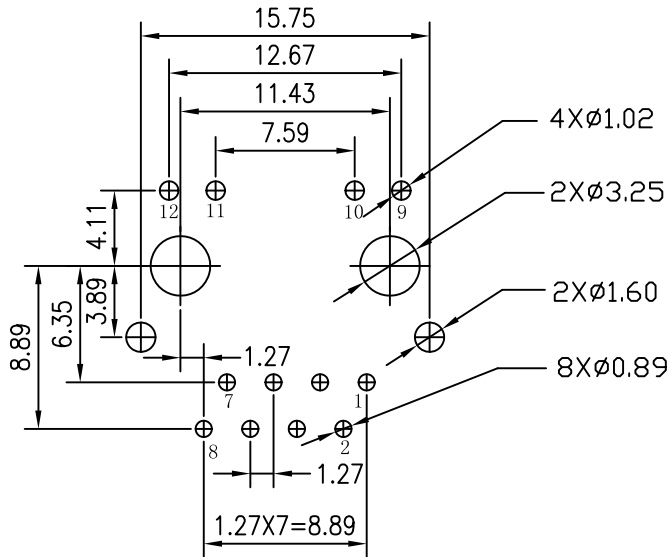
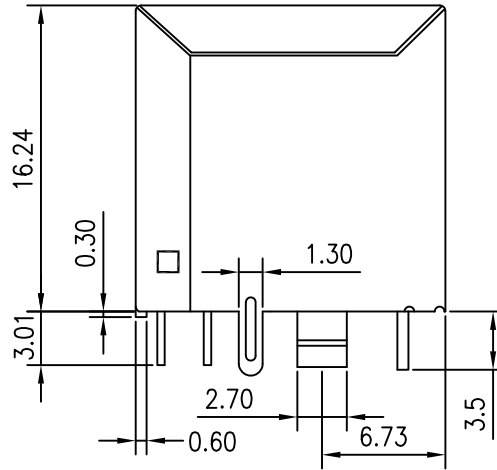
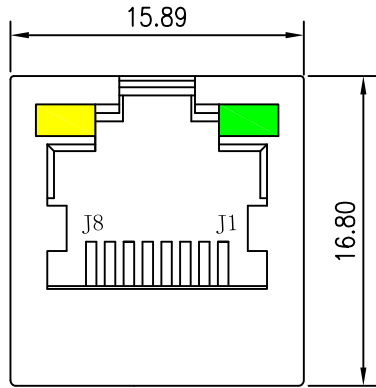


# Mechanical:



SUGGESTED PCB LAYOUT (TOP VIEW)



REV.	ECN NO.	DESCRIPTION	DATE	APPD
A	REL		2015-05-21	
B	REL	One less clip in the shell	2018-10-11	

## NOTES:

### Electrical:

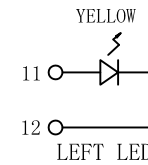
1. Voltage rating : 125 VAC RMS
2. Current Rating : 1.5 AMP
3. Contact resistance : 50 mΩ Max
4. Insulation resistance : 500 MΩ Min @500V DC
5. Dielectric strength : 1000 VAC RMS 60Hz, 1MIN.
6. Cat6a Compliant.

### MECHANICAL:

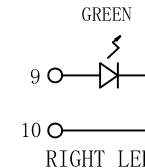
1. Housing & Insert Material : PBT UL94V-0.
2. Contact Material : Phospor bronze T=0.35mm
3. Shield : 0.20-0.25mm Thickness Brass With Tin Plated
4. Operating Life : 750 Cycles Min.
5. Contact plating : Gold 6 micro-inches min. In contact area.

### ENVIRONMENTAL:

1. Storage : -40°C ~ +85°C
2. Operation : -40°C ~ +85°C.
3. Wave solder temperature : 265°C MAX, 5 Sec.
4. UL Certification : File Number E321120.



LEFT LED



RIGHT LED

Emitting Color	λp(nm)	VF@IF=20mA	IR @VR=5V
GREEN	565	1.8~2.6V	10 μA max
YELLOW	585	1.8~2.6V	10 μA max

X:X	±0.25	APPD:	<b>Trxcom</b> Huizhou Trxcom Electronics Co., Ltd.
X:XX	±0.20	CHKD:	
X:XXX	±0.05	DR: SEA	
ANGLES	±1°	UNIT: mm	TITLE: Vertical RJ45 Single Port Connector & Cat6a
			PART NO.: TRJE681BDNL
	SCALE: 2/1	SHEET: 1/1	REV: B
			DWG NO.: TRC18101101