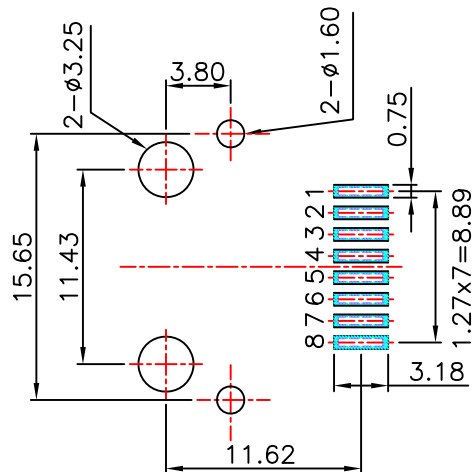
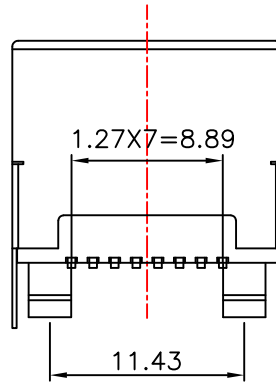
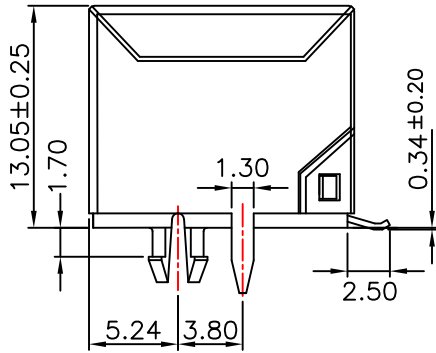
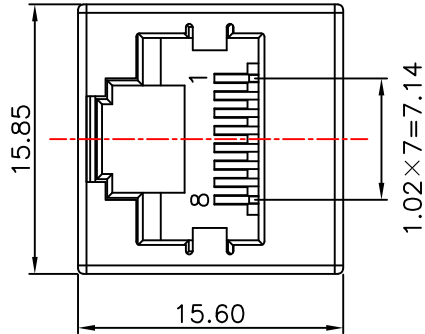


Mechanical:

REV.	ECN NO.	DESCRIPTION	DATE	APPD
A	REL		2024-03-08	



PCB LAYOUT/TOP VIEW

NOTES:

Electrical:

- 1. Voltage rating : 125 VAC RMS
- 2. Current Rating : 1.5 AMP
- 3. Contact resistance : 50 mΩ Max
- 4. Insulation resistance : 500 MΩ Min @500V DC
- 5. Dielectric strength : 1000 VAC RMS 60Hz, 1MIN.

MECHANICAL:

- 1. Plastic Housing : High Temp. Thermoplastic
Flammability Rating UL 94V-0.
- 2. Contacts : Phospor bronze
Plating : Gold Plating Over Nickel In Contact.
Tin Plating Over Nickel In Solder Area.
- 3. Shield : Brass Plating Nyckel Alloy.
- 4. Operating Life : 750 Cycles Min.

ENVIRONMENTAL:

- 1. Storage : -40°C ~ +85°C
- 2. Operation : -40°C ~ +85°C.
- 3. IR Reflow Soldering Tempature: 265°C (5~10 Sec)
Matea With Modular Plug Comforming To FCC Part68, Subpart F.
- 4. UL Certification : File Number E321120.



X:X	±0.38	APPD:	Trxcom
X:XX	±0.25	CHKD:	
X:XXX	±0.10	DR: SEA	TITLE: TOP ENTRY PCB SMT JACK (无断差 8P8C)
ANGLES	±1°	UNIT: mm	PART NO.: TRJE660DNL
	SCALE: 2/1	SHEET: 1/1	REV: A DWG NO.: TRC24030801