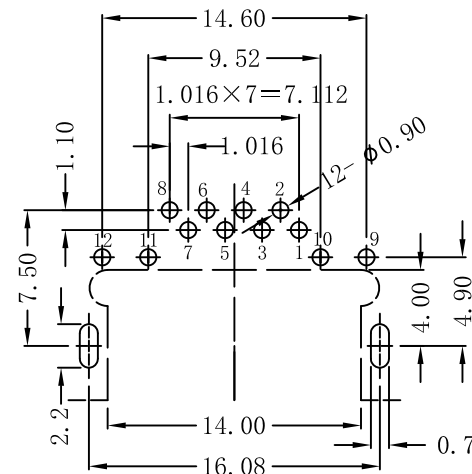
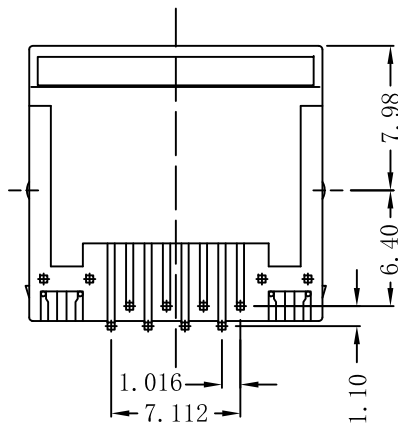
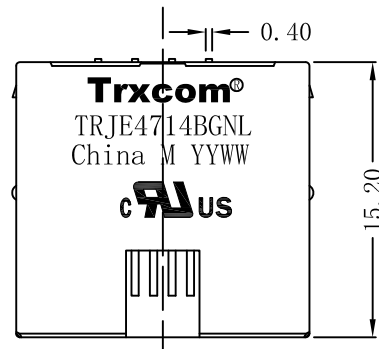
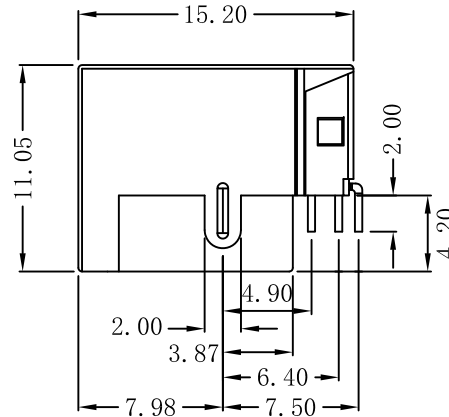
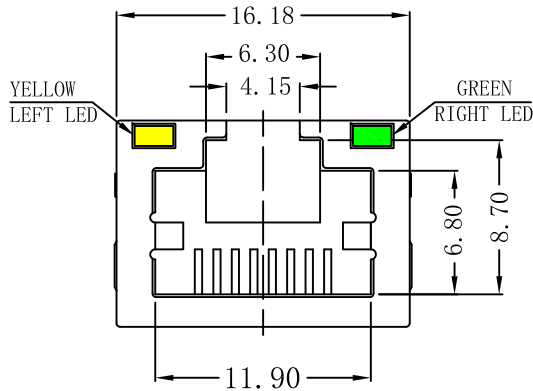


# Mechanical:

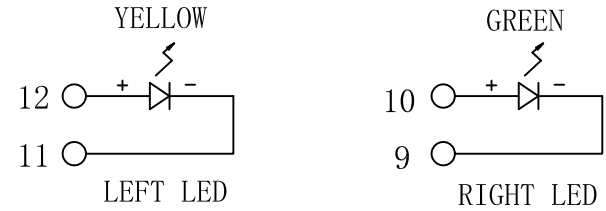


SUGGESTED PCB LAYOUT (TOP VIEW)



TEL: 86-755-81752121  
 FAX: 86-755-81752963  
 WEBSITE: <http://www.trxcom.com>

REV.	ECN NO.	DESCRIPTION	DATE	APPD
A	REL		2013/04/11	



## NOTES:

### ELECTRICAL:

- VOLTAGE RATING: 125 VAC RMS.
- CURRENT RATING: 1.5 AMP
- CONTACT RESISTANCE: 30 MILLIOHMS MAX
- INSULATION RESISTANCE: 500 MEGOHMS MIN @500 VDC
- DIELECTRIC STRENGTH: 1000 VAC RMS 50Hz or 60Hz, 1 MIN

### MECHANICAL:

- HOUSING & INSERT MATERIAL: PBT UL94V-0.
- CONTACT MATERIAL: DIAMETER 0.45MM PHOSPHOR BRONZE GOLD PLATING OVER NICKEL.
- SHIELD: 0.20~0.25MM THICKNESS BRASS WITH TIN PLATED.
- MATING/UNMATING FORCE: 2.2KG. F MAX.
- RETENTION STRENGTH: 7.7KG. F MIN BETWEEN JACK AND PLUG.
- OPERATING LIFE: 600 CYCLES MIN.
- PLATING GOLD THICKNESS: GOLD FLASH/1.5u"/3u"/6u"/15u"/30u"/50u"
- UL Certification: File Number E321120.

### ENVIRONMENTAL:

- TEMPERATURE RANGE: -45°C ~ +70°C.

X:X	±0.30	APPD:	Trxcom	
X:XX	±0.25	CHKD:	ShenZhen Trxcom Electronics Co., ltd	
X:XXX	±0.05	DR: C. H. Y	TITLE: RJ45 Connector - THT	
ANGLES	±1°	UNIT: mm	PART NO.: TRJE4714BGNL	
	SCALE: 2/1	SHEET: 1/1	REV: A	DWG: TRC13041122