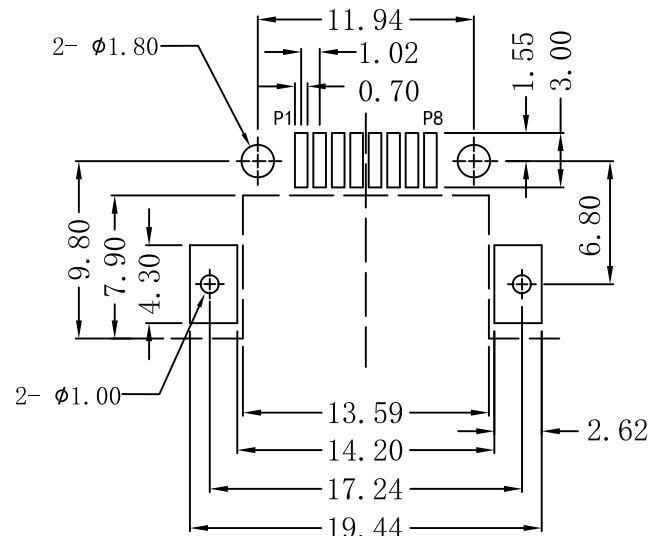
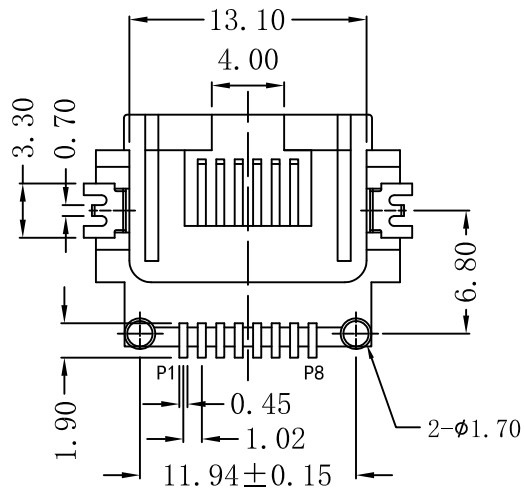
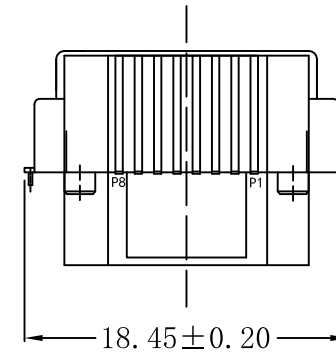
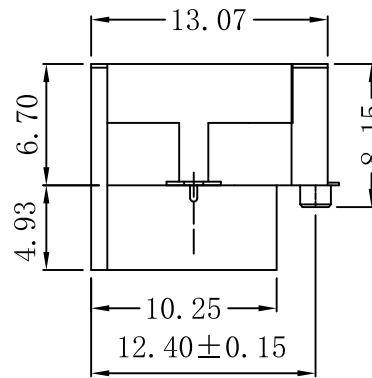
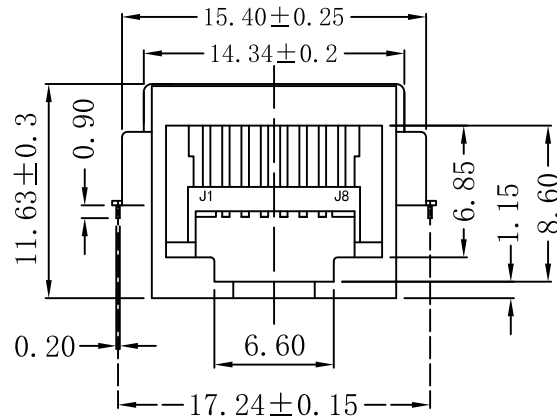


# Mechanical:



SUGGESTED PCB LAYOUT (TOP VIEW)

REV.	ECN NO.	DESCRIPTION	DATE	APPD
A	REL		2010/03/23	
B	REL	APPEARANCE CHANGE	2018/10/18	

## NOTES:

### Electrical:

1. Voltage rating : 125 VAC RMS
2. Current Rating : 1.5 AMP
3. Contact resistance : 50 mΩ Max
4. Insulation resistance : 500 MΩ Min @500V DC
5. Dielectric strength : 1500 VAC RMS 60Hz, 1MIN.

### MECHANICAL:

1. Housing & Insert Material : PBT UL94V-0.
2. Contact Material : Phospor Bronze T=0.35mm
3. Shield : 0.20-0.25mm Thickness Brass With tin Plated
4. Operating Life : 750 Cycles Min.

### ENVIRONMENTAL:

1. Storage : -40°C ~ +85°C
2. Operation : -40°C ~ +85°C.
3. Wave solder temperature : 265°C MAX, 5 Sec.
4. UL Certification : File Number E321120.

X:X	±0.30	APPD:	<b>Trxcom</b>	
X:XX	±0.25	CHKD:	Huizhou Trxcom Electronics Co., ltd	
X:XXX	±0.05	DR: SEA	TITLE: RJ45 Connector - SMT	
ANGLES	±1°	UNIT: mm	PART NO.: TRJE4712NL	
	SCALE: 2/1	SHEET: 1/1	REV: B	DWG: TRC18101801