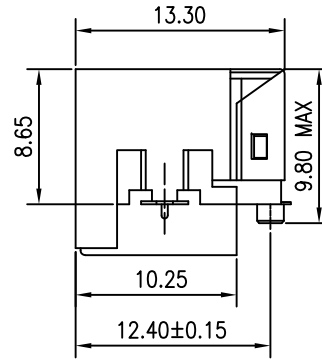
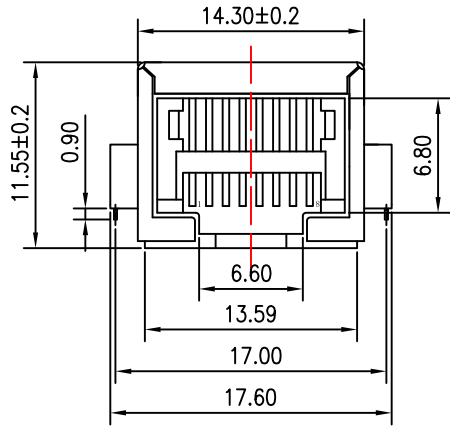


Mechanical:

REV.	ECN NO.	DESCRIPTION	DATE	APPD
A	REL		2013/06/28	



NOTES:

Electrical:

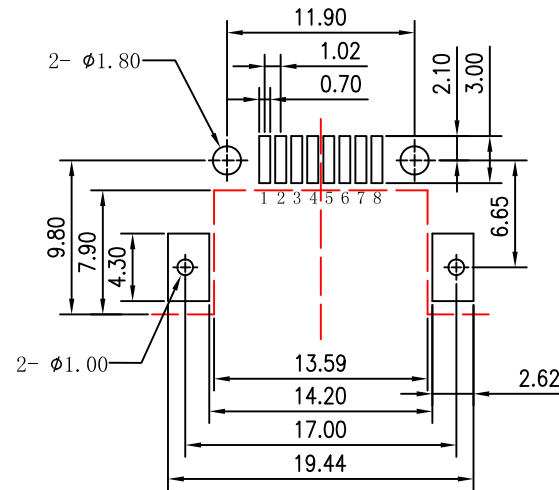
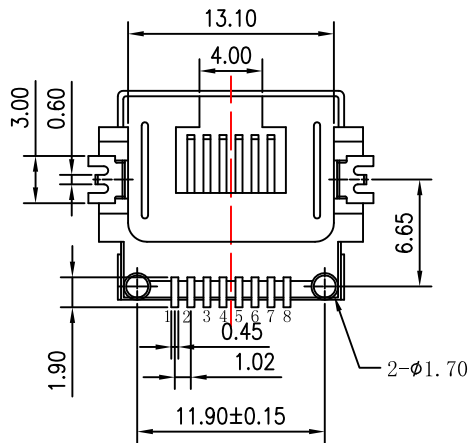
- 1. Voltage rating : 125 VAC RMS
- 2. Current Rating : 1.5 AMP
- 3. Contact resistance : 50 mΩ Max
- 4. Insulation resistance : 500 MΩ Min @500V DC
- 5. Dielectric strength : 1500 VAC RMS 60Hz, 1MIN.

MECHANICAL:

- 1. Housing & Insert Material : LCP UL94V-0.
- 2. Contact Material : Diameter 0.46mm Phosphor Bronze
Gold Plating Over Nickel.
- 3. Shield : 0.20-0.25mm Thickness Brass
With tin Plated
- 4. Operating Life : 750 Cycles Min.

ENVIRONMENTAL:

- 1. Storage : -40°C ~ +85°C
- 2. Operation : -40°C ~ +85°C.
- 3. Wave solder temperature : 265°C Max, 5 Sec.
- 4. UL Certification : File Number E321120.



SUGGESTED PCB LAYOUT (TOP VIEW)

X:X	±0.30	APPD:	Trxcom Huizhou Trxcom Electronics Co., ltd	
X:XX	±0.25	CHKD:		
X:XXX	±0.05	DR: SEA	TITLE: RJ45 Connector - SMT	
ANGLES	±1°	UNIT: mm	PART NO.: TRJE4711DNL	
	SCALE: 2/1	SHEET: 1/1	REV: A	DWG: TRC13062801