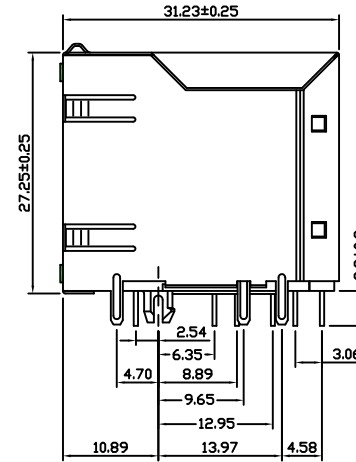
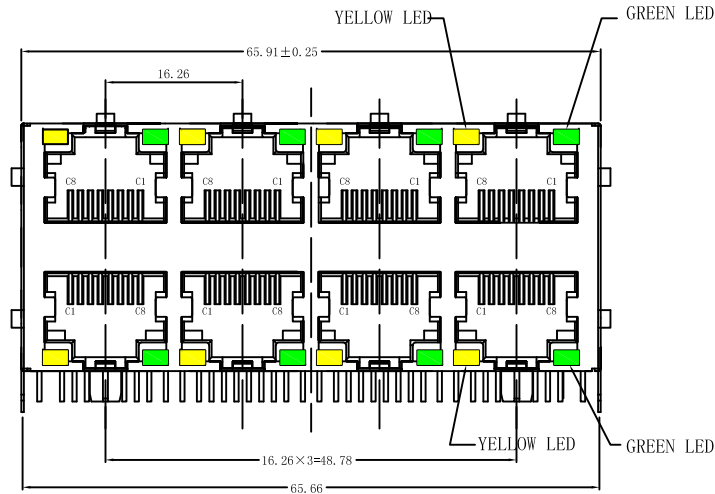


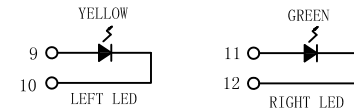
Mechanical:

REV.	ECN NO.	DESCRIPTION	DATE	APPD
A	REL		03/12/2008	

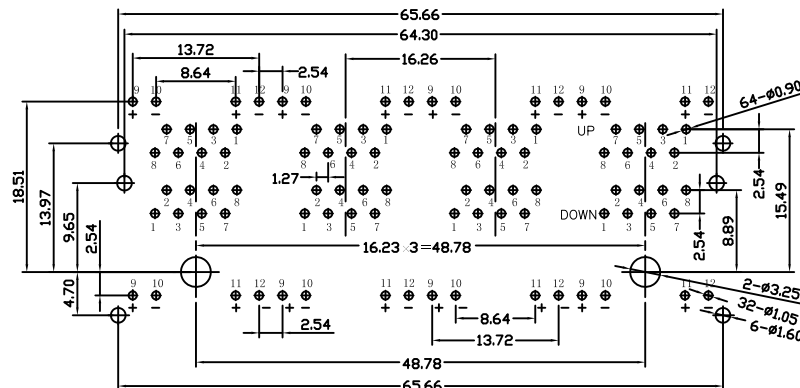
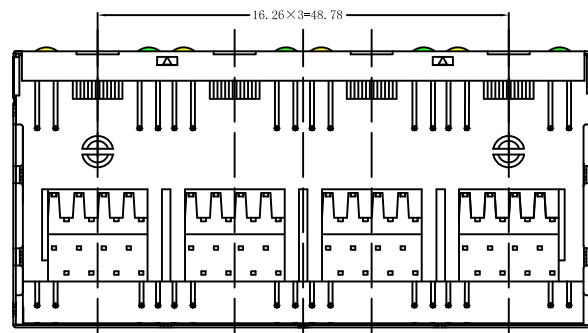


TRJE4701XADNL

Gold Plating	"X"
1.5U"	1 <input checked="" type="checkbox"/>
3U"	2 <input type="checkbox"/>
6U"	3 <input type="checkbox"/>
15U"	4 <input type="checkbox"/>
30U"	5 <input type="checkbox"/>
50U"	6 <input type="checkbox"/>



Emitting Color	λ p(nm)	VF@IF=20mA	IR@VR=5V
Green	570	1.8~2.6V	10 μ A max
Yellow	585	1.8~2.6V	10 μ A max



SUGGESTED PCB LAYOUT (TOP VIEW)

NOTES:

MACHANICAL:

- HOUSING MATERIAL :GLASS FILLED POLYESTER OR HIGH TEMP. UL94V-0.
- CONTACT MATERIAL :PHOSPHOR BRONZE $t=0.35$ mm.
- PLATING :CONTACT AREA-SELECTIVE GOLD PLATING. TAILS-PLATED TIN OVER NICKEL.
- OPERATING LIFE :750 CYCLES MIN
- PCB RETENTION PRE-SOLDER :1 LB MIN
- PCB RETENTION POST-SOLDER :10 LBS MIM
- LED SIZE :3.2*2.0*4.0*P=2.29mm

ELECTRICAL:

- VOLTAGE RATING :125VAC RMS.
- CURRENT RATING :1.5AMP.
- CONTACT RESISTANCE :50 MILLIOHMS MAX.
- INSULATION RESISTANCE :500M Ω MIN @ 500V DC.
- DIELECTRIC STRENGTH :1000V AC RMS 60Hz. 1MIN.
- UL Certification: File Number E321120

ENVIRONMENTAL:

- STORAGE : $-40^{\circ}\text{C} \sim +85^{\circ}\text{C}$.
- OPERATION : $-40^{\circ}\text{C} \sim +85^{\circ}\text{C}$.

MATES WITH MODULAR PLUG CONFORMING TO FCC PART 68, SUBPART F.



X:X	± 0.30	APPD:	Trxcom
X:XX	± 0.25	CHKD:	ShenZhen Trxcom Electronics Co., ltd
X:XXX	± 0.05	DR: C.H.Y	TITLE: SIDE ENTRY PCB JACK WITH SHIELD
ANGLES $\pm 1^{\circ}$		UNIT: mm	PART NO. : TRJE47011ADNL
	SCALE: 2/1	SHEET: 1/1	REV: A DWG NO. : TRC08120308