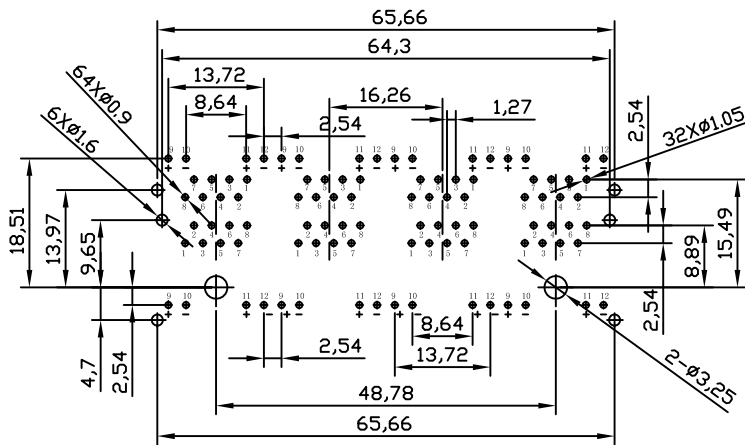
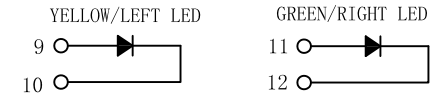
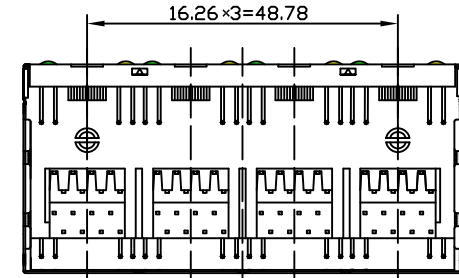
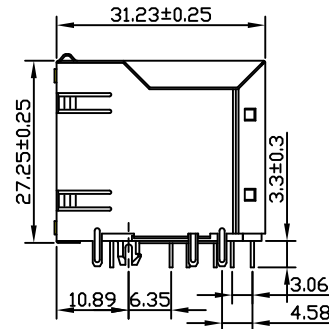
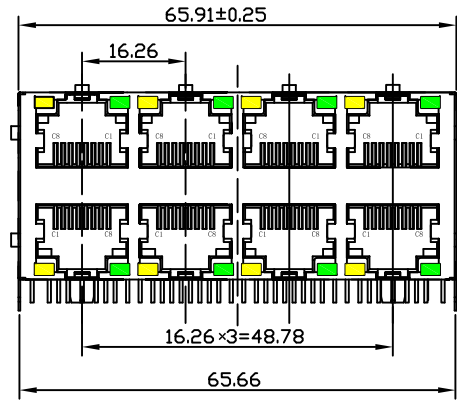


Mechanical:

REV.	ECN NO.	DESCRIPTION	DATE	APPD
A	REL		2014-05-12	



SUGGESTED PCB LAYOUT (TOP VIEW)



NOTES:

Electrical:

1. Voltage rating : 125 VAC RMS
2. Current Rating : 1.5 AMP
3. Contact resistance : 50 mΩ Max
4. Insulation resistance : 500 MΩ Min @500V DC
5. Dielectric strength : 1000 VAC RMS 60Hz, 1MIN.

MECHANICAL:

1. Housing & Insert Material : PBT UL94V-0.
2. Contact Material : Phospor bronze T=0.35mm
3. Shield : 0.20-0.25mm Thickness Brass With tin Plated
4. Operating Life : 750 Cycles Min.

ENVIRONMENTAL:

1. Storage : -40°C ~ +85°C
2. Operation : 0°C ~ +70°C.
3. Wave solder temperature : 265°C 5 Sec MAX
4. UL Certification : File Number E321120.

X:X ±0.25	APPD:	Trxcom Huizhou Trxcom Electronics Co.,Ltd.
X:XX ±0.20	CHKD:	
X:XXX ±0.05	DR: GRANT	TITLE: RJ45 2*4 Connector
ANGLES ±1°	UNIT: mm	PART NO. : TRJE241ADNL
	SCALE: 2/1	SHEET: 1/1
	REV: A	DWG NO. : TRC15052123