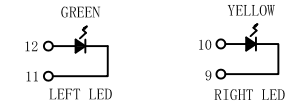
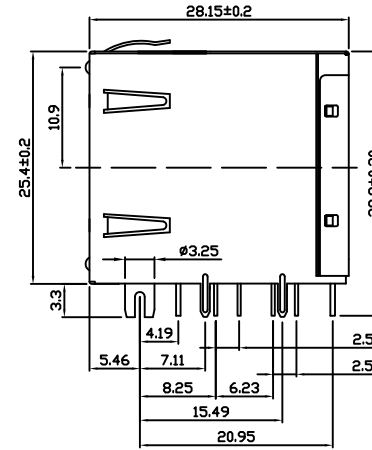
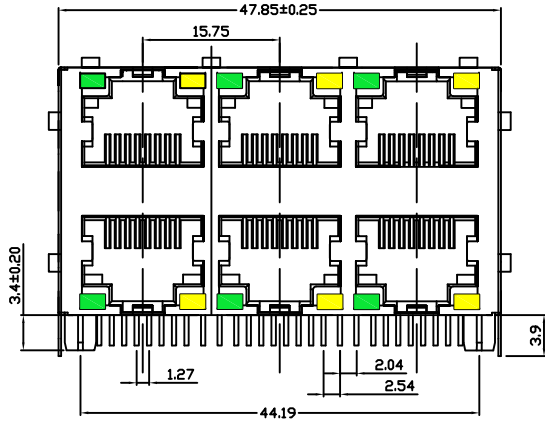
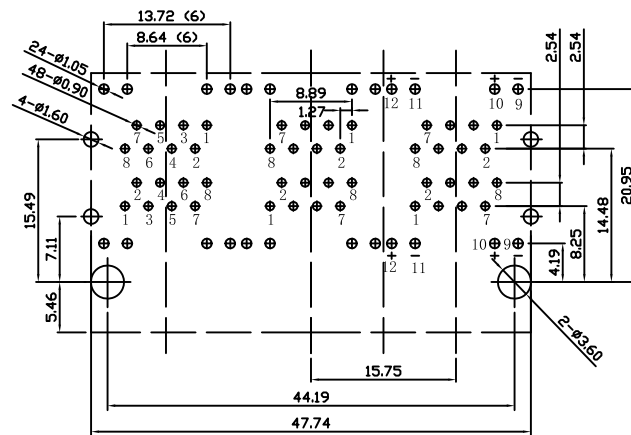
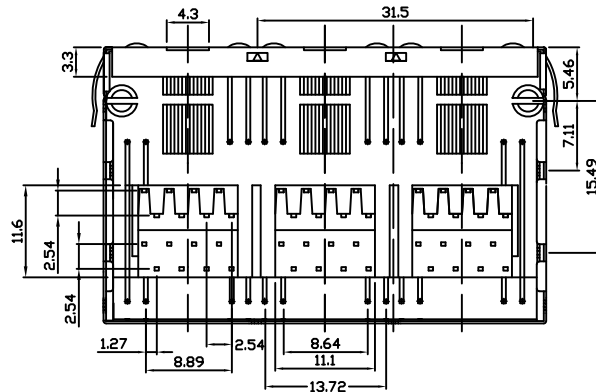


Mechanical:

REV.	ECN NO.	DESCRIPTION	DATE	APPD
A	REL		2017/09/13	



Emitting Color	λ_p (nm)	VF@IF=20mA	IR@VR=5V
GREEN	565	1.8~2.6V	10 μ A max
YELLOW	585	1.8~2.6V	10 μ A max



SUGGESTED PCB LAYOUT(TOP VIEW)

NOTES:

Electrical:

1. Voltage rating : 125 VAC RMS
2. Current Rating : 1.5 AMP
3. Contact resistance : 50 m Ω Max
4. Insulation resistance : 500 M Ω Min @500V DC
5. Dielectric strength : 1000 VAC RMS 60Hz, 1MIN.

MECHANICAL:

1. Housing & Insert Material : PBT UL94V-0.
2. Contact Material : Diameter 0.46mm Phosphor Bronze
Gold Plating Over Nickel.
3. Operating Life : 750 Cycles Min.

ENVIRONMENTAL:

1. Storage : -40 $^{\circ}$ C ~ +85 $^{\circ}$ C
2. Operation : -40 $^{\circ}$ C ~ +85 $^{\circ}$ C.
3. Wave solder temperature : 265 $^{\circ}$ C MAX, 5 Sec.
4. UL Certification : File Number E321120.

X:X	± 0.25	APPD:	Trxcom Huizhou Trxcom Electronics Co.,Ltd.	
X:XX	± 0.20	CHKD:		
X:XXX	± 0.05	DR: SEA	TITLE: SIDE ENTRY PCB JACK WITH SHIELD	
ANGLES	$\pm 1^{\circ}$	UNIT: mm	PART NO. : TRJE231AHLN	
	SCALE: 2/1	SHEET: 1/1	REV: A	DWG NO. : TRC17091312