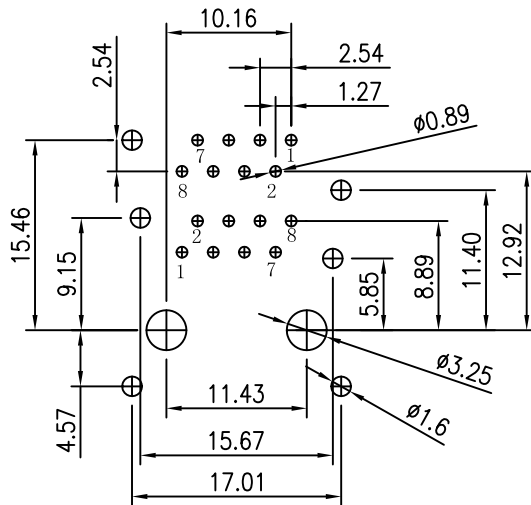
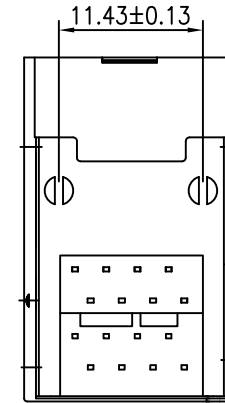
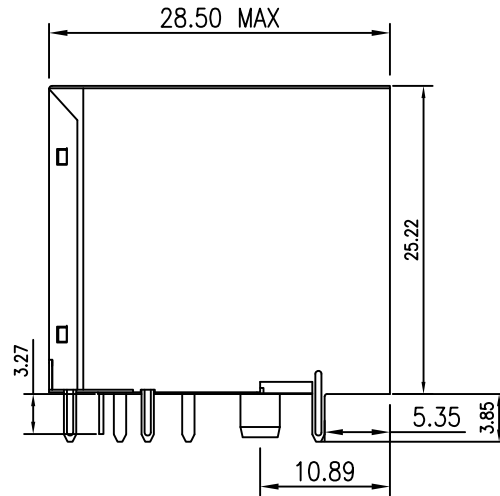
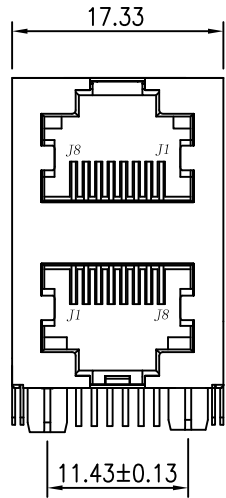


Mechanical:

REV.	ECN NO.	DESCRIPTION	DATE	APPD
A	REL		2015-05-16	



SUGGESTED PCB LAYOUT (TOP VIEW)



NOTES:

Electrical:

1. Voltage rating : 125 VAC RMS
2. Current Rating : 1.5 AMP
3. Contact resistance : 50 mΩ Max
4. Insulation resistance : 500 MΩ Min @500V DC
5. Dielectric strength : 1000 VAC RMS 60Hz, 1MIN.

MECHANICAL:

1. Housing & Insert Material : PBT UL94V-0.
2. Contact Material : Phospor Bronze T=0.35mm.
3. Shield : 0.20-0.25mm Thickness Brass With Tin Plated.
4. Operating Life : 750 Cycles Min.
5. Put the connector and plug in a vertical position, hang a 50N object at the bottom of the plug for 60S ±5S.

ENVIRONMENTAL:

1. Storage : -40°C ~ +85°C
2. Operation : -40°C ~ +85°C.
3. Wave solder temperature : 265°C Max, 5 Sec
4. UL Certification : File Number E321120.

X:X	±0.25	APPD:	Trxcom
X:XX	±0.20	CHKD:	
X:XXX	±0.05	DR: GRANT	Title: RJ45 2*1 Connector
ANGLES	±1°	UNIT: mm	PART NO.: TRJE213DNL
	SCALE: 2/1	SHEET: 1/1	REV: A
			DWG NO.: TRC08121505