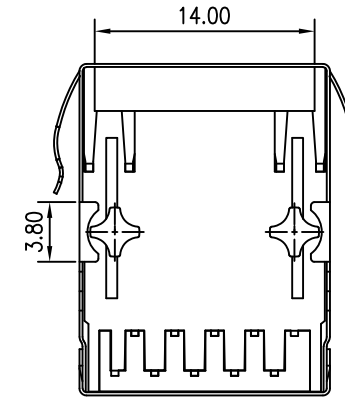
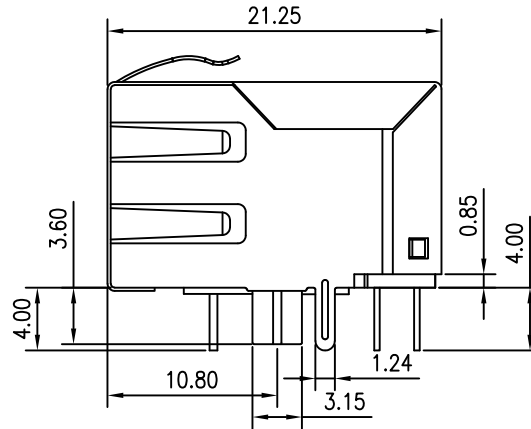
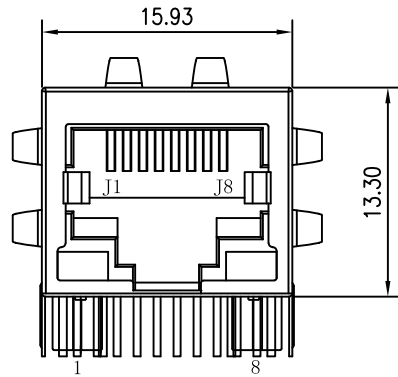
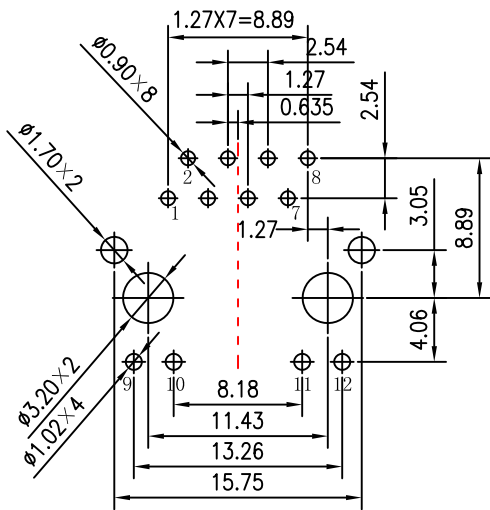


Mechanical:

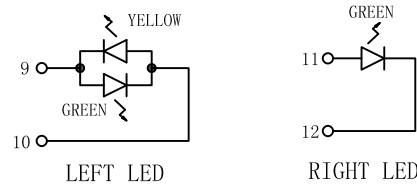
REV.	ECN NO.	DESCRIPTION	DATE	APPD
A	REL		2014-7-11	



Bottom Side View



Suggested PCB Layout (Top View)



Emitting Color	λ_p (nm)	$V_F @ I_F = 20\text{mA}$	$I_R @ V_R = 5V$
GREEN	565	1.8~2.6V	10 μA max
YELLOW	585	1.8~2.6V	10 μA max

NOTES:

Electrical:

1. Voltage rating : 125 VAC RMS
2. Current Rating : 1.5 AMP
3. Contact resistance : 50 m Ω Max
4. Insulation resistance : 500 M Ω Min @500V DC
5. Dielectric strength : 1000 VAC RMS 60Hz, 1MIN.

MECHANICAL:

1. Housing & Insert Material : PBT UL94V-0.
2. Contact Material : Phospor bronze T=0.35mm
3. Shield : 0.20-0.25mm Thickness Brass With Tin Plated
4. Operating Life : 750 Cycles Min.
5. Contact plating : Gold 6 micro-inches min. In contact area.

ENVIRONMENTAL:

1. Storage : -40°C ~ +85°C
2. Operation : -40°C ~ +85°C.
3. Wave solder temperature : 265°C Max, 5 Sec.
4. UL Certification : File Number E321120.

X:X	± 0.25	APPD:	TRXCOM INT'L TECHNOLOGY CO. LTD	
X:XX	± 0.20	CHKD:	TITLE:	
X:XXX	± 0.05	DR: SEA	RJ45 1*1 Connector	
ANGLES	$\pm 1^\circ$	UNIT: mm	PART NO.: TRJE160G7NL	
	SCALE: 2/1	SHEET: 1/1	REV: A	DWG NO.: TRC15072629