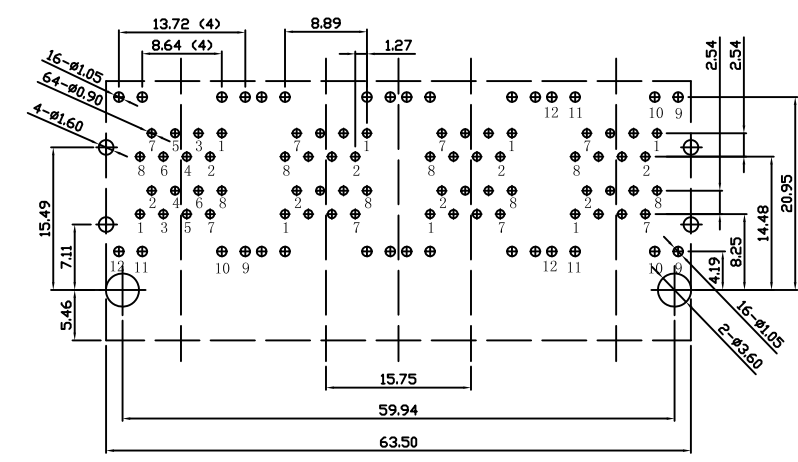
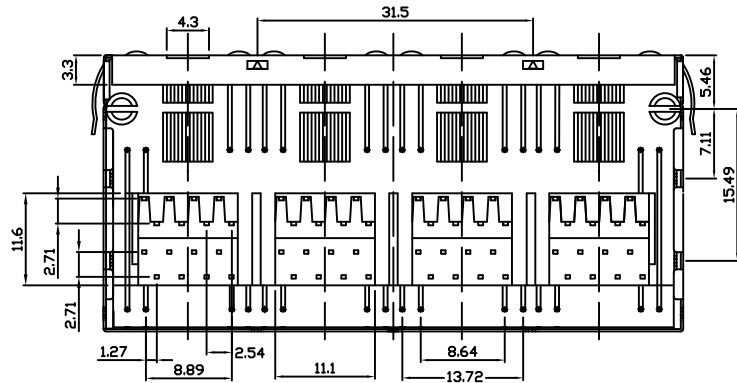
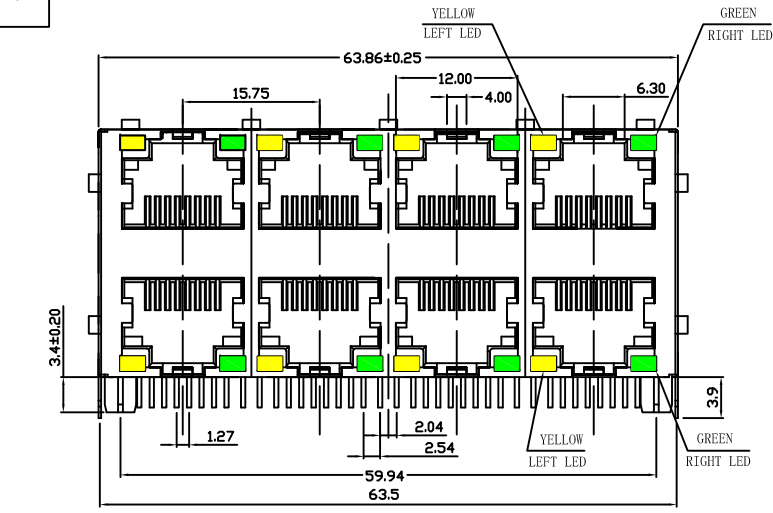
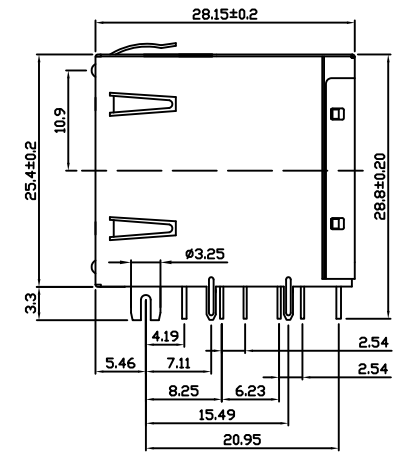


Mechanical:



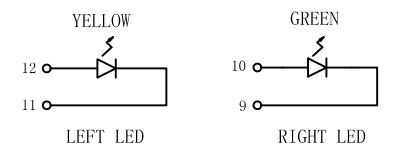
SUGGESTED PCB LAYOUT (TOP VIEW)

REV.	ECN NO.	DESCRIPTION	DATE	APPD
A	REL		10/11/2008	



TRJE108XAGNL

Gold Plating	"X"
1.5u"	1
3u"	2
6u"	3
15u"	4
30u"	5
50u"	6



- NOTES:
- MACHINICAL:
- HOUSING MATERIAL :GLASS FILLED POLYESTER OR HIGH TEMP. UL94V-0.
 - CONTACT MATERIAL :PHOSPHOR BRONZE t=0.35mm.
 - PLATING :CONTACT AREA-SELECTIVE GOLD PLATING. TAILS-PLATED TIN OVER NICKEL.
 - OPERATING LIFE :750 CYCLES MIN
 - PCB RETENTION PRE-SOLDER :1 LB MIN
 - PCB RETENTION POST-SOLDER :10 LBS MIM
 - LED SIZE :3.2*2.0*4.0*P=2.29mm
 - UL Certification :File Number E321120.
- ELECTRICAL:
- VOLTAGE RATING :125VAC RMS.
 - CURRENT RATING :1.5AMP.
 - CONTACT RESISTANCE :50 MILLIOHMS MAX.
 - INSULATION RESISTANCE :1000MEGOHMS MIN @ 500V DC.
 - DIELECTRIC STRENGTH :1000V AC RMS 60Hz. 1MIN.
- ENVIRONMENTAL:
- STORAGE :-40°C ~+85°C.
 - OPERATION :-40°C +85°C.
- MATES WITH MODULAR PLUG CONFORMING TO FCC PART 68, SUBPART F.



X:X ±0.20	APPD:	Trxcom ShenZhen Trxcom Electronics Co., ltd
X:XX ±0.10	CHKD:	
X:XXX ±0.05	DR: leo	TITLE: SIDE ENTRY PCB JACK WITH SHIELD
ANGLES ±1°	UNIT: mm	PART NO.: TRJE108XAGNL
	SCALE: 2/1	SHEET: 1/1
	REV: A	DWG NO.: TRC08111008