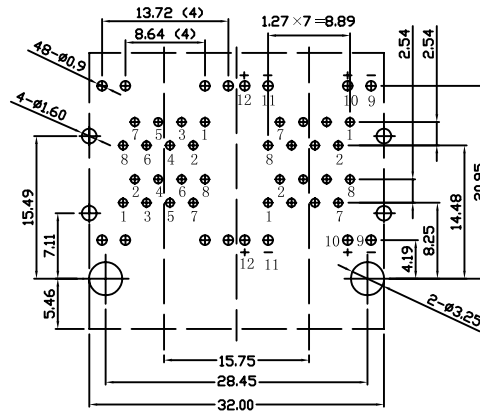
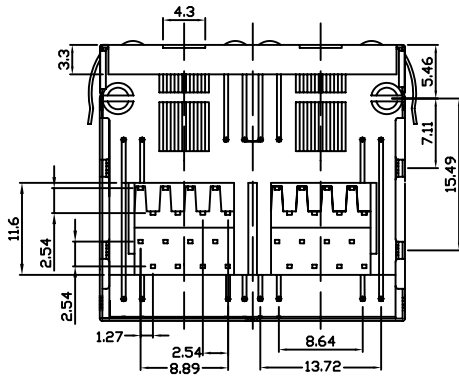
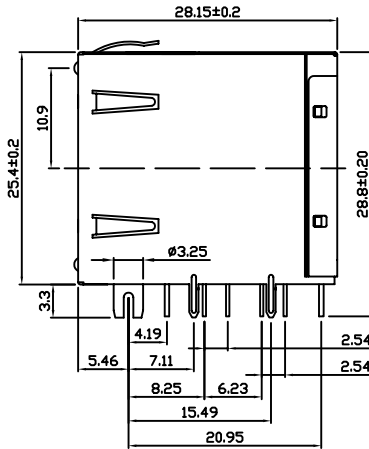
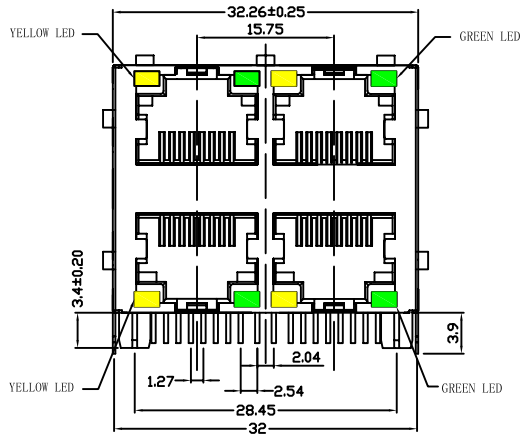


Mechanical:

REV.	ECN NO.	DESCRIPTION	DATE	APPD
A	REL		2011/12/16	
B	REL	Changes in the diameter size of the PCB hole	2013/07/03	



SUGGESTED PCB LAYOUT(TOP VIEW)

NOTES: MECHANICAL:

- HOUSING MATERIAL : GLASS FILLED POLYESTER OR HIGH TEMP. UL94V-0.
- CONTACT MATERIAL : PHOSPHOR BRONZE $t=0.35\text{mm}$.
- PLATING : CONTACT AREA-SELECTIVE GOLD PLATING. TAILS-PLATED TIN OVER NICKEL.
- OPERATING LIFE : 750 CYCLES MIN
- PCB RETENTION PRE-SOLDER : 1 LB MIN
- PCB RETENTION POST-SOLDER : 10 LBS MIM
- LED SIZE : 3.2*2.0*4.0*P=2.29mm
- UL CERTIFICATION : FILE NUMBER E321120

ELECTRICAL:

- VOLTAGE RATING : 125VAC RMS.
- CURRENT RATING : 1.5AMP.
- CONTACT RESISTANCE : 50 MILLIOHMS MAX.
- INSULATION RESISTANCE : 1000MEG OHMS MIN @ 500V DC.
- DIELECTRIC STRENGTH : 1000V AC RMS 60Hz. 1MIN.

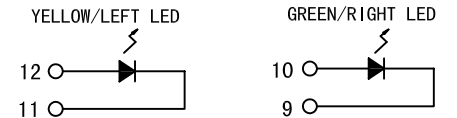
ENVIRONMENTAL:

- STORAGE : $-40^{\circ}\text{C} \sim +85^{\circ}\text{C}$.
- OPERATION : $-40^{\circ}\text{C} \sim +85^{\circ}\text{C}$.

MATES WITH MODULAR PLUG CONFORMING TO FCC PART 68, SUBPART F.

TRJE107XAGNL

Gold Plating	"X"
1.5U"	1 <input type="checkbox"/>
3U"	2 <input type="checkbox"/>
6U"	3 <input type="checkbox"/>
15U"	4 <input type="checkbox"/>
30U"	5 <input type="checkbox"/>
50U"	6 <input type="checkbox"/>



X:X	± 0.20	APPD:	Trxcom	
X:XX	± 0.10	CHKD:	ShenZhen Trxcom Electronics Co.,Ltd	
X:XXX	± 0.05	DR: C.H.Y	TITLE: SIDE ENTRY PCB JACK WITH SHIELD	
ANGLES	$\pm 1^{\circ}$	UNIT: mm	PART NO.: TRJE107XAGNL	
	SCALE: 2/1	SHEET: 1/1	REV: A	DWG NO.: TRC13070301