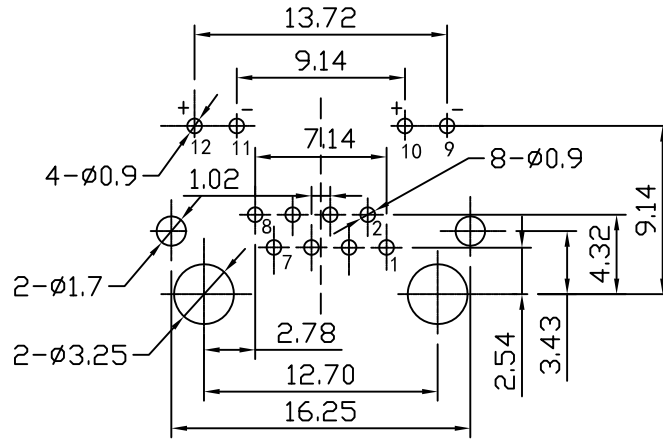
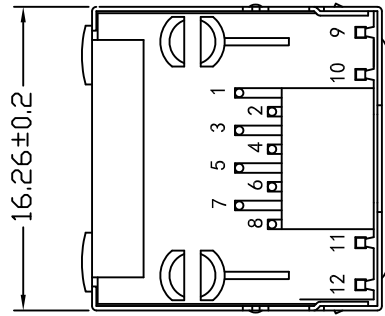
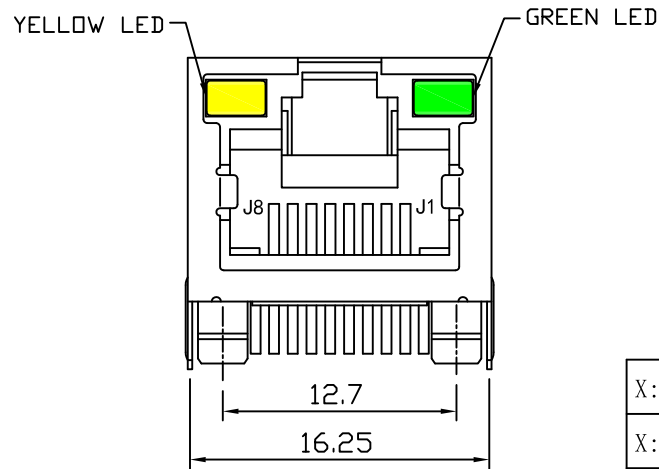
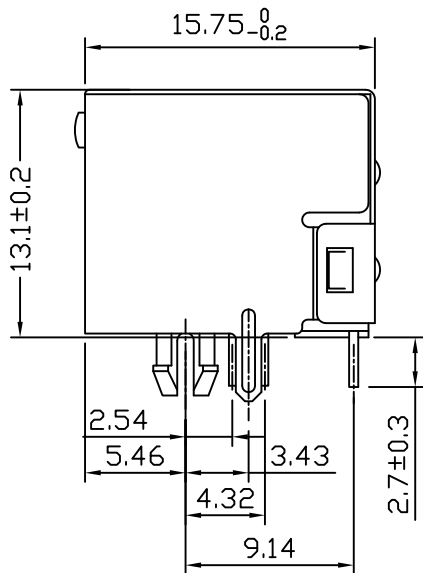


Mechanical:



SUGGESTED PCB LAYOUT
(TOP VIEW)



NOTES:

Electrical:

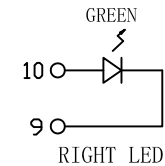
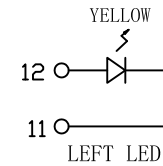
1. Voltage rating : 125 VAC RMS
2. Current Rating : 1.5 AMP
3. Contact resistance : 50 mΩ Max
4. Insulation resistance : 500 MΩ Min @500V DC
5. Dielectric strength : 1000 VAC RMS 60Hz, 1MIN.

MECHANICAL:

1. Housing & Insert Material : PBT UL94V-0.
2. Contact Material : Diameter 0.46mm Phosphor Bronze Gold Plating Over Nickel.
3. Shield : 0.20-0.25mm Thickness Brass With tin Plated
3. Operating Life : 750 Cycles Min.

ENVIRONMENTAL:

1. Storage : -40°C ~ +85°C
2. Operation : -40°C ~ +85°C.
3. Wave solder temperature : 265°C 5 Sec MAX
4. UL Certification : File Number E321120.



Emitting Color	λ p(nm)	VF@IF=20mA	IR @VR=5V
GREEN	565	1.8~2.6V	10 μA max
YELLOW	585	1.8~2.6V	10 μA max

X:X ±0.30	APPD:	Trxcom	
X:XX ±0.25	CHKD:	HuiZhou Trxcom Electronics Co., ltd	
X:XXX ±0.05	DR: C. H. Y	TITLE: RJ45 1×1 CONNECTOR	
ANGLES ±1°	UNIT: mm	PART NO.: TRJE101HGNL	
	SCALE: 2/1	SHEET: 1/1	REV: A DWG NO.: TRC09120901