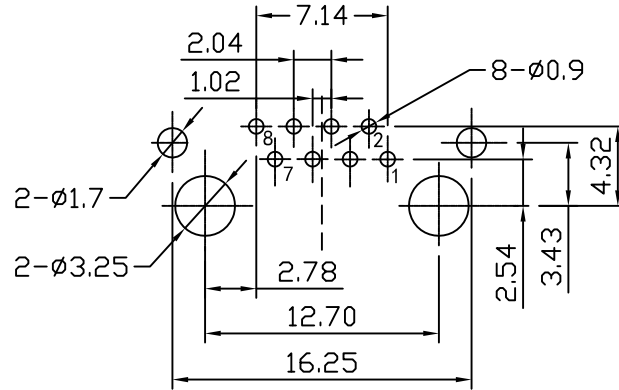
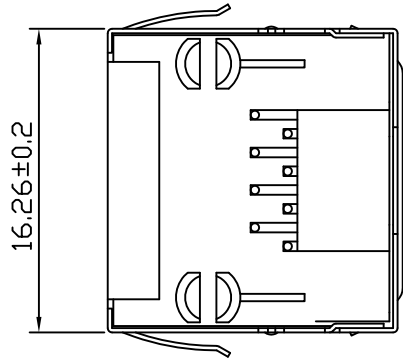


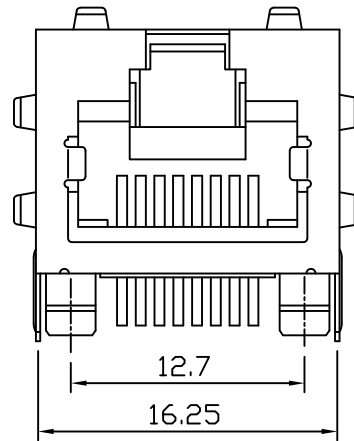
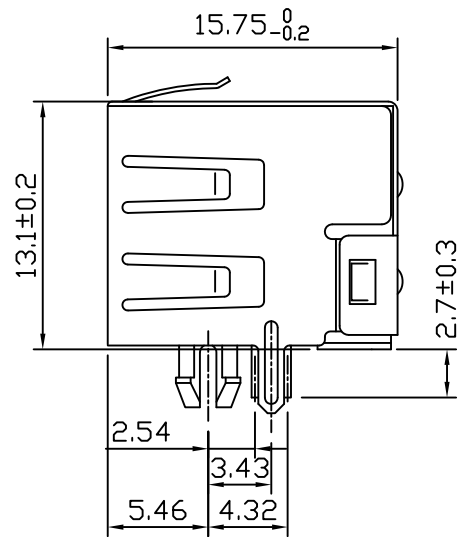
Mechanical:

The connector is an integral part of low-voltage equipment and is designed for installation (by soldering) on printed circuit boards or otherwise inside housings or enclosures

REV.	ECN NO.	DESCRIPTION	DATE	APPD
A	REL		17/09/2009	



SUGGESTED PCB LAYOUT
(TOP VIEW)



NOTES:

Electrical:

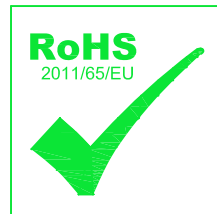
1. Voltage rating : 125 VAC RMS
2. Current Rating : 1.5 AMP
3. Contact resistance : 50 mΩ Max
4. Insulation resistance : 500 MΩ Min @500V DC
5. Dielectric strength : 1500 VAC RMS 60Hz, 1MIN.

MECHANICAL:

1. Housing & Insert Material : PBT UL94V-0.
2. Contact Material : Diameter 0.46mm Phosphor Bronze Gold Plating Over Nickel.
3. Shield : 0.20-0.25mm Thickness Brass With tin Plated
4. Operating Life : 750 Cycles Min.

ENVIRONMENTAL:

1. Storage : -40°C ~ +85°C
2. Operation : -40°C ~ +85°C.
3. Wave solder temperature : 265°C Max, 5 Sec.
4. UL Certification : File Number E321120.



X:X	±0.30	APPD:	Trxcom Huizhou TRXCOM Electronics Co., LTD	
X:XX	±0.25	CHKD:		
X:XXX	±0.05	DR: TOM	TITLE: RJ45 1*1 Connector	
ANGLES	±1°	UNIT: mm	PART NO.: TRJE101CNL	
	SCALE: 2/1	SHEET: 1/1	REV: A	DWG NO.: TRC09091701