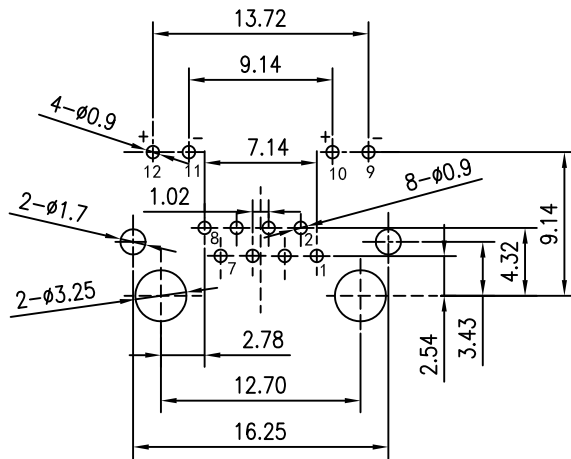
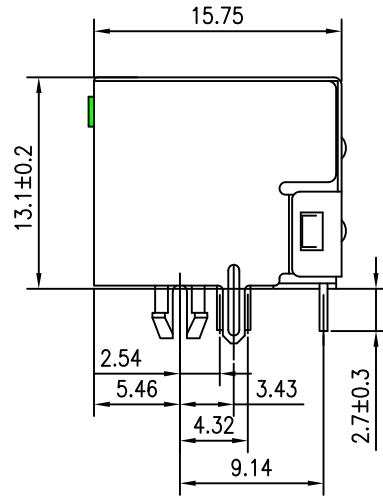
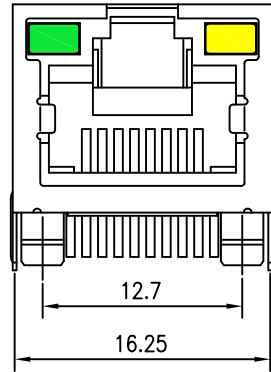
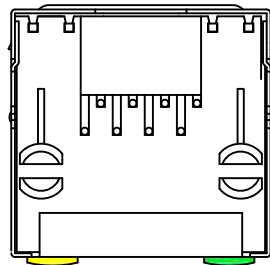


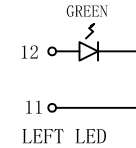
Mechanical:



SUGGESTED PCB LAYOUT
(TOP VIEW)

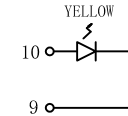


REV.	ECN NO.	DESCRIPTION	DATE	APPD
A	REL		2015-4-29	



LEFT LED

LED POLARITY		COLOR
PIN 12	PIN 11	COLOR
+	-	GREEN



LEFT LED

LED POLARITY		COLOR
PIN 10	PIN 9	COLOR
+	-	YELLOW

Emitting Color	λ p(nm)	VF@IF=20mA	IR@VR=5V
GREEN	565	1.8~2.6V	10 μ A max
YELLOW	585	1.8~2.6V	10 μ A max

NOTES:

Electrical:

- 1. Voltage rating : 125 VAC RMS
- 2. Current Rating : 1.5 AMP
- 3. Contact resistance : 50 m Ω Max
- 4. Insulation resistance : 500 M Ω Min @500V DC
- 5. Dielectric strength : 1000 VAC RMS 60Hz, 1MIN.

MECHANICAL:

- 1. Housing & Insert Material : PBT UL94V-0.
- 2. Contact Material : Diameter 0.46mm Phosphor Bronze
Gold Plating Over Nickel.
- 3. Shield : 0.20~0.25mm Thickness Brass
With tin Plated
- 4. Operating Life : 750 Cycles Min.

ENVIRONMENTAL:

- 1. Storage : -40 $^{\circ}$ C ~ +85 $^{\circ}$ C
- 2. Operation : -40 $^{\circ}$ C ~ +85 $^{\circ}$ C.
- 3. Wave solder temperature : 265 $^{\circ}$ C 5 Sec MAX
- 4. UL Certification : File Number E321120.

X:X	±0.25	APPD:	Trxcom
X:XX	±0.20	CHKD:	
X:XXX	±0.05	DR: SEA	TITLE: RJ45 1*1 Connector
ANGLES	±1 $^{\circ}$	UNIT: mm	PART NO.: TRJE101BHNL
	SCALE: 2/1	SHEET: 1/1	REV: A DWG NO.: TRC15041626