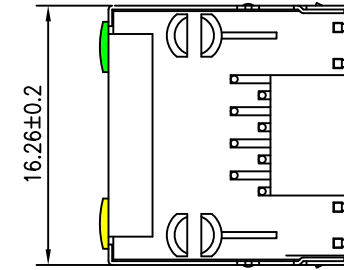
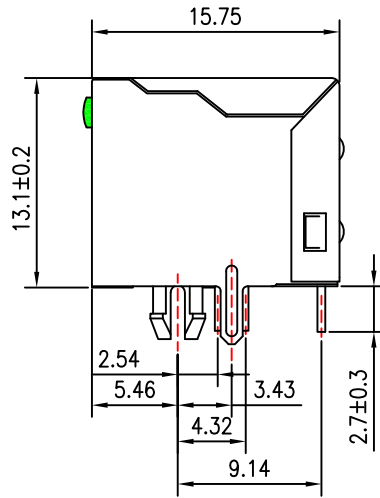
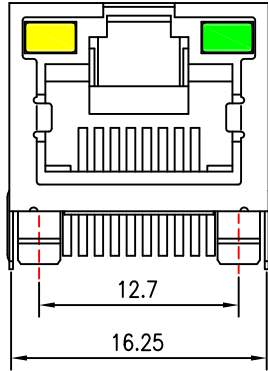


Mechanical:



NOTES:

Electrical:

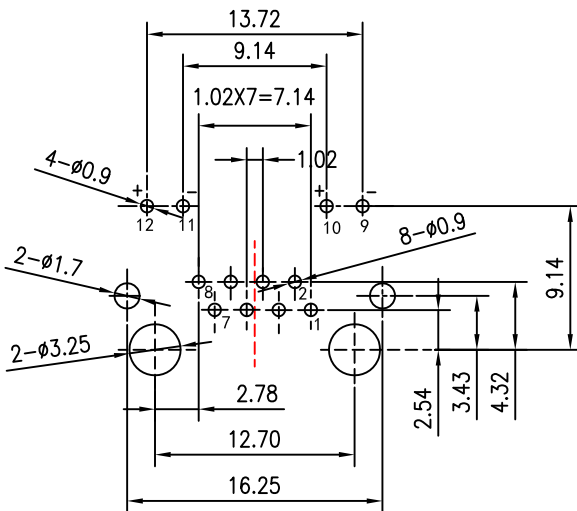
1. Voltage rating : 125 VAC RMS
2. Current Rating : 1.5 AMP
3. Contact resistance : 50 mΩ Max
4. Insulation resistance : 500 MΩ Min @500V DC
5. Dielectric strength : 1500 VAC RMS 60Hz, 1MIN.

MECHANICAL:

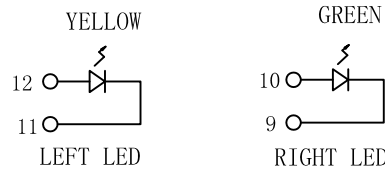
1. Housing & Insert Material : PBT UL94V-0.
2. Contact Material : Diameter 0.46mm Phosphor Bronze
Gold Plating Over Nickel.
Contact plating : Gold 30 micro-inches min. In contact area.
3. Shield : 0.20-0.25mm Thickness Brass
With tin Plated
4. Operating Life : 750 Cycles Min.

ENVIRONMENTAL:

1. Storage : -40°C ~ +85°C
2. Operation : -40°C ~ +85°C.
3. Wave solder temperature : 265°C MAX, 5 Sec.
4. UL Certification : File Number E321120.



SUGGESTED PCB LAYOUT
(TOP VIEW)



| Emitting Color | λp(nm) | V _F @ I _F =20mA | IR @VR=5V |
|----------------|--------|---------------------------------------|-----------|
| GREEN | 565 | 1.8~2.6V | 10 μA max |
| YELLOW | 585 | 1.8~2.6V | 10 μA max |

| REV. | ECN NO. | DESCRIPTION | DATE | APPD |
|------|---------|-------------|------------|------|
| A | REL | | 2015-05-20 | |

| | | | | |
|--------|------------|------------|----------------------------------|----------------------|
| X:X | ±0.30 | APPD: | TRXCOM INT'L TECHNOLOGY CO., LTD | |
| X:XX | ±0.25 | CHKD: | TITLE: RJ45 1*1 Connector | |
| X:XXX | ±0.05 | DR: SEA | PART NO.: TRJE101BGNL | |
| ANGLES | ±1° | UNIT: mm | | |
| | SCALE: 2/1 | SHEET: 1/1 | REV: A | DWG NO.: TRC15041608 |