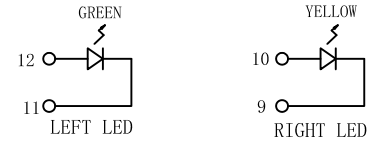
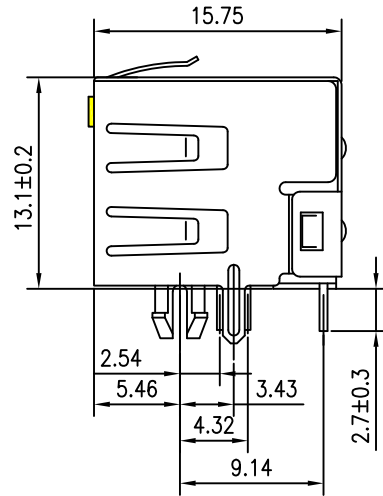
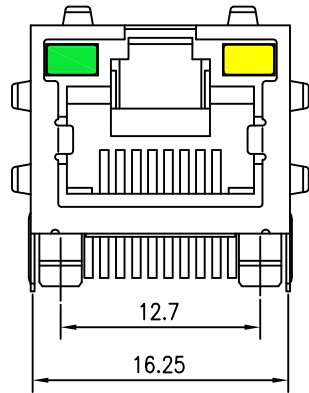
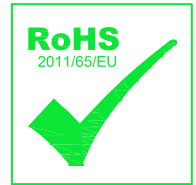


# Mechanical:

REV.	ECN NO.	DESCRIPTION	DATE	APPD
A	REL		2015-4-29	



Emitting Color	$\lambda_p$ (nm)	VF@IF=20mA	IR@VR=5V
GREEN	565	1.8~2.6V	10 $\mu$ A max
YELLOW	585	1.8~2.6V	10 $\mu$ A max



## NOTES:

### Electrical:

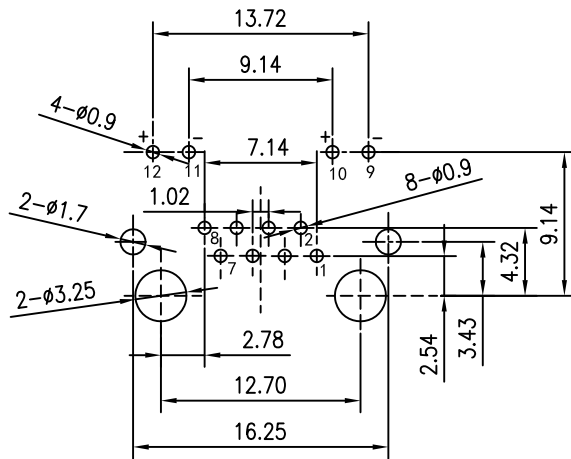
- 1. Voltage rating : 125 VAC RMS
- 2. Current Rating : 1.5 AMP
- 3. Contact resistance : 50 m $\Omega$  Max
- 4. Insulation resistance : 500 M $\Omega$  Min @500V DC
- 5. Dielectric strength : 1000 VAC RMS 60Hz, 1MIN.

### MECHANICAL:

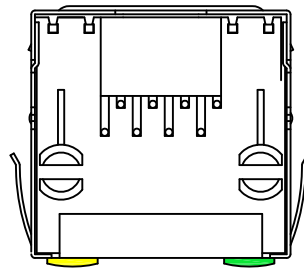
- 1. Housing & Insert Material : PBT UL94V-0.
- 2. Contact Material : Diameter 0.46mm Phosphor Bronze  
Gold Plating Over Nickel.
- 3. Shield : 0.20~0.25mm Thickness Brass  
With tin Plated
- 4. Operating Life : 750 Cycles Min.

### ENVIRONMENTAL:

- 1. Storage : -40°C ~ +85°C
- 2. Operation : -40°C ~ +85°C.
- 3. Wave solder temperature : 265°C 5 Sec MAX
- 4. UL Certification : File Number E321120.



SUGGESTED PCB LAYOUT  
(TOP VIEW)



X:X	±0.25	APPD:	<b>Trxcom</b>
X:XX	±0.20	CHKD:	
X:XXX	±0.05	DR: SEA	TITLE: RJ45 1*1 Connector
ANGLES	±1°	UNIT: mm	PART NO.: TRJE101AHNL
	SCALE: 2/1	SHEET: 1/1	REV: A
			DWG NO.: TRC15041610