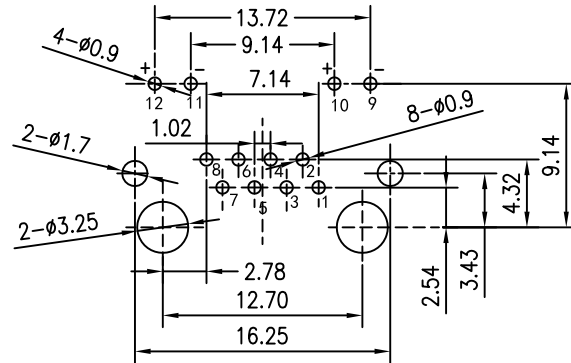
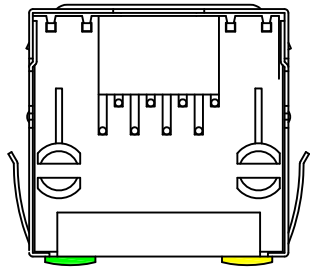
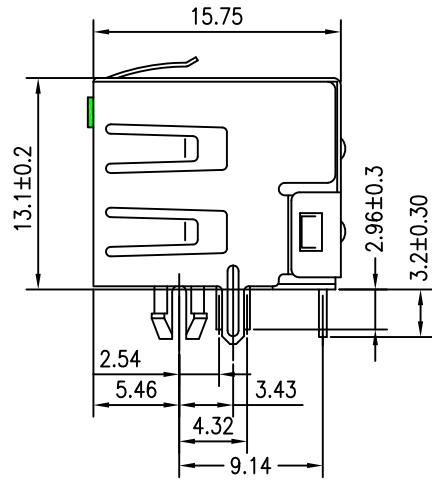
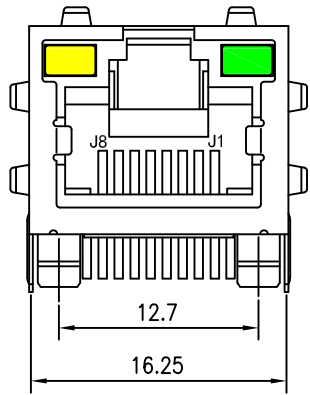


# Mechanical:



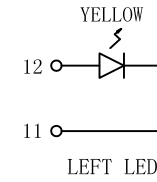
SUGGESTED PCB LAYOUT(TOP VIEW)

The connector is an integral part of low-voltage equipment and is designed for installation (by soldering) on printed circuit boards or otherwise inside housings or enclosures

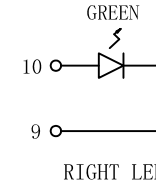
# Schematic:



REV.	ECN NO.	DESCRIPTION	DATE	APPD
A	REL		2015-4-29	



LEFT LED



RIGHT LED

Emitting Color	$\lambda_p$ (nm)	VF@F=20mA	IR @VR=5V
GREEN	565	1.8~2.6V	10 $\mu$ A max
YELLOW	585	1.8~2.6V	10 $\mu$ A max

## NOTES:

### Electrical:

- Voltage rating : 125 VAC RMS
- Current Rating : 1.5 AMP
- Contact resistance : 50 m $\Omega$  Max
- Insulation resistance : 500 M $\Omega$  Min @500V DC
- Dielectric strength : 1500 VAC RMS 60Hz, 1MIN.

### MECHANICAL:

- Housing & Insert Material : PBT UL94V-0.
- Contact Material : Diameter 0.46mm Phosphor Bronze Gold Plating Over Nickel.
- Shield : 0.20-0.25mm Thickness Brass With tin Plated
- Operating Life : 750 Cycles Min.

### ENVIRONMENTAL:

- Storage : -40 $^{\circ}$ C ~ +85 $^{\circ}$ C
- Operation : -40 $^{\circ}$ C ~ +85 $^{\circ}$ C.
- Wave solder temperature : 265 $^{\circ}$ C Max, 5 Sec.
- UL Certification : File Number E321120.

X:X	$\pm 0.30$	APPD:	<b>Trxcom</b> Huizhou TRXCOM Electronics Co., LTD
X:XX	$\pm 0.25$	CHKD:	
X:XXX	$\pm 0.05$	DR: TOM	TITLE: RJ45 1*1 Connector
ANGLES	$\pm 1^{\circ}$	UNIT: mm	PART NO.: TRJE101AGNL
	SCALE: 2/1	SHEET: 1/1	REV: A
			DWG NO.: TRC15041629