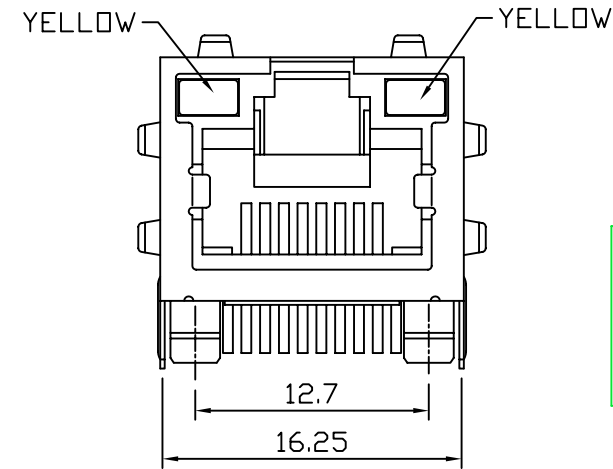
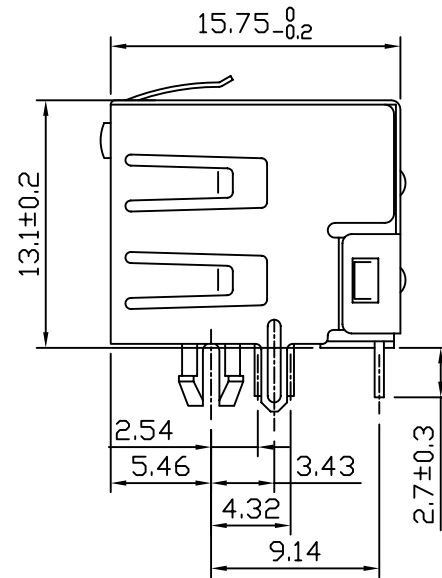
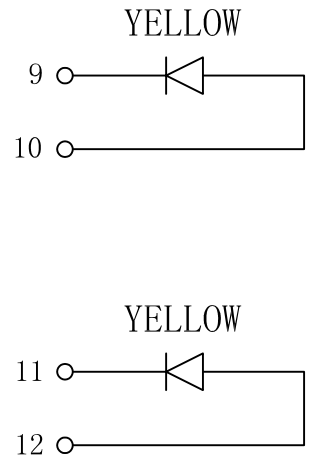
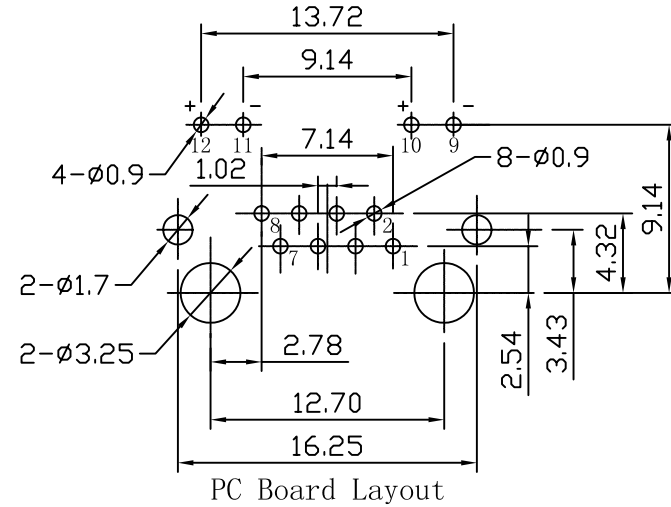
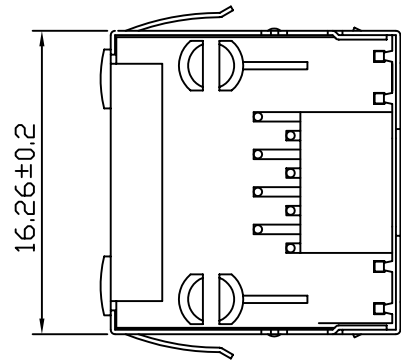


# Mechanical:

REV.	ECN NO.	DESCRIPTION	DATE	APPD
A	REL		21/10/2009	



## PCB JACK Specification

1. Insulation Resistance: 500MΩ MIN @ 500 VDC
2. Withstanding Voltage: AC1000V 50Hz or 60Hz 1min.
3. Durability: 600 Mating Circles MIN.
4. Gold Plating: (3;6;15;30;50)u inch
5. Tolerances Unless Otherwise Specified  
.0±0.25 .00±0.20 .000±0.05

X:X ±0.25	APPD:	Trxcom ShenZhen Trxcom Electronics Co.,ltd		
X:XX ±0.10	CHKD:			
X:XXX ±0.05	DR: C. H. Y	TITLE: RJ45 1x1 CONNECTOR		
ANGLES ±1°	UNIT: mm	PART NO.: TRJE101A57NL		
	SCALE: 2/1	SHEET: 1/1	REV: A	DWG NO.: TRC09102101