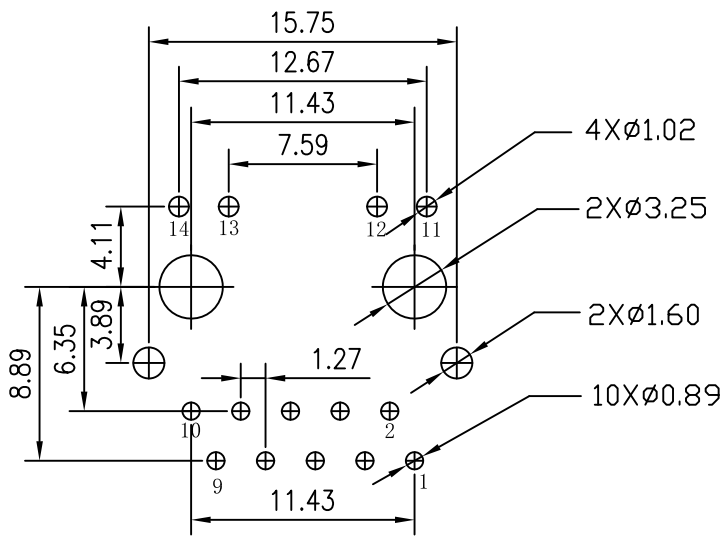
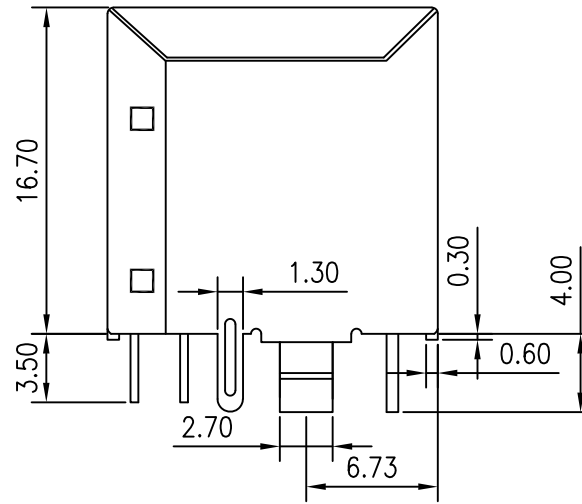
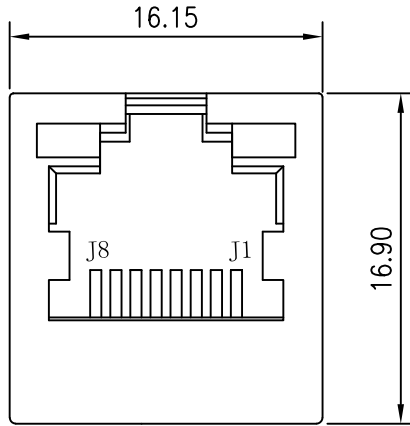


Mechanical :

REV.	ECN NO.	DESCRIPTION	DATE	APPD
A	REL		2016/06/06	



SUGGESTED PCB LAYOUT (TOP VIEW)

NOTES:

1. Designed to support application, such as SOHO (ADSL modems), LAN-on-Motherboard (LOM), hub and Switches.
2. Meets IEEE 802.3 specification
3. Connector Materials:
 Housing Material: Thermoplastic PBT+30%G.F UL94V-0
 Contact Material: Phosphor Bronze C5210R-EH Thickness=0.35mm
 Pins: Brass C2680R-H Thickness=0.35mm
 Shield: Copper alloy Brass H65Y Thickness=0.2mm
 Contact plating: Gold 6 micro-inches min. In contact area.
4. Wave solder tip temperature: 265°C Max, 5 Sec.
5. UL Certification: File Number E321120.

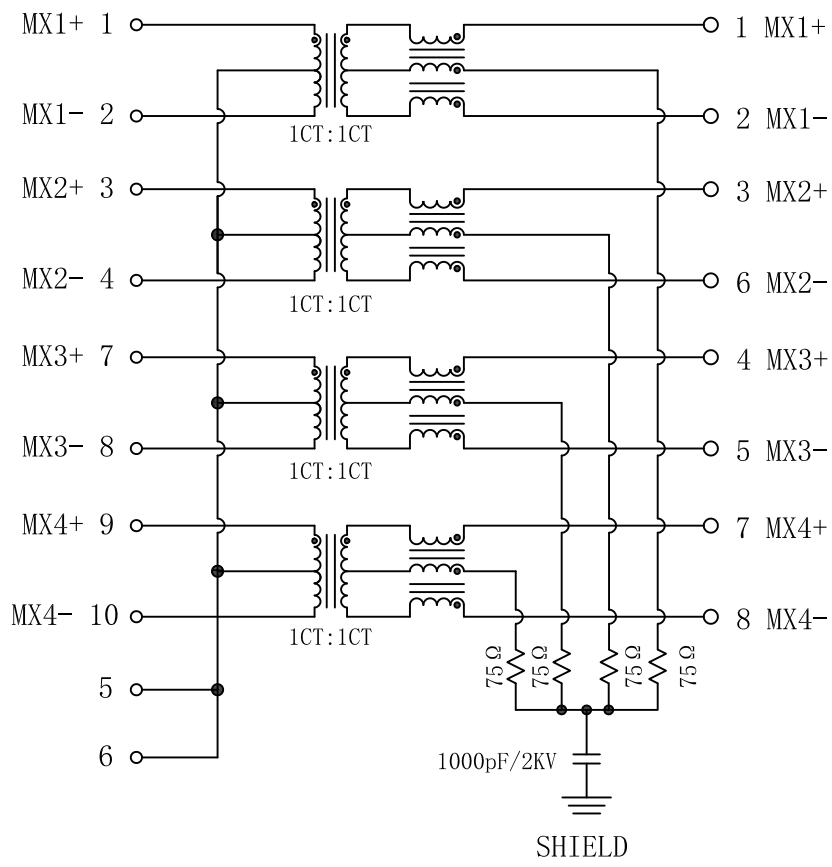


X:X	±0.25	APPD:	Trxcom
X:XX	±0.20	CHKD:	
X:XXX	±0.05	DR: TOM	TITLE: Vertical RJ45 Connector With 1000 Magnetic
ANGLES	±1°	UNIT: mm	PART NO.: TRJD4646B4NL
	SCALE: 2/1	SHEET: 1/4	REV: A DWG NO.: TRC16060635

Schematic:

REV.	ECN NO.	DESCRIPTION	DATE	APPD
A	REL		2016/06/06	

PCB CONNECTION

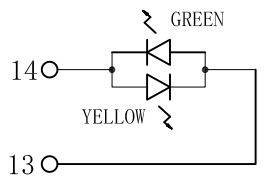


RJ45 CONNECTOR

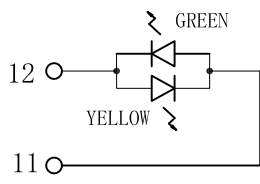
Electrical Specifications @25°C

- Turns Ratio($\pm 3\%$): 1CT:1CT
- Inductance (100KHz, 100mV, 8mA, DC Bias): 350uH Min
- Insertion Loss:
0.1~100MHz:-1.0dB Max
- Return Loss(dB Min. load 100 Ω):
0.1~30MHz:-18 30~60MHz:-16
60~100MHz:-10
- Crosstalk(dB Min):
0.1~30MHz:-40 30~60MHz:-35
60~100MHz:-30
- DCMR(dB Min):
0.1~100MHz:-30dB Min
- Hi-pot: 1500Vrms
- Operating Temperature: -40°C ~+85°C.

Emitting Color	λ_p (nm)	VF@IF=20mA	IR @VR=5V
GREEN	565	1.8~2.6V	10 μ A max
YELLOW	585	1.8~2.6V	10 μ A max



LEFT LED



RIGHT LED



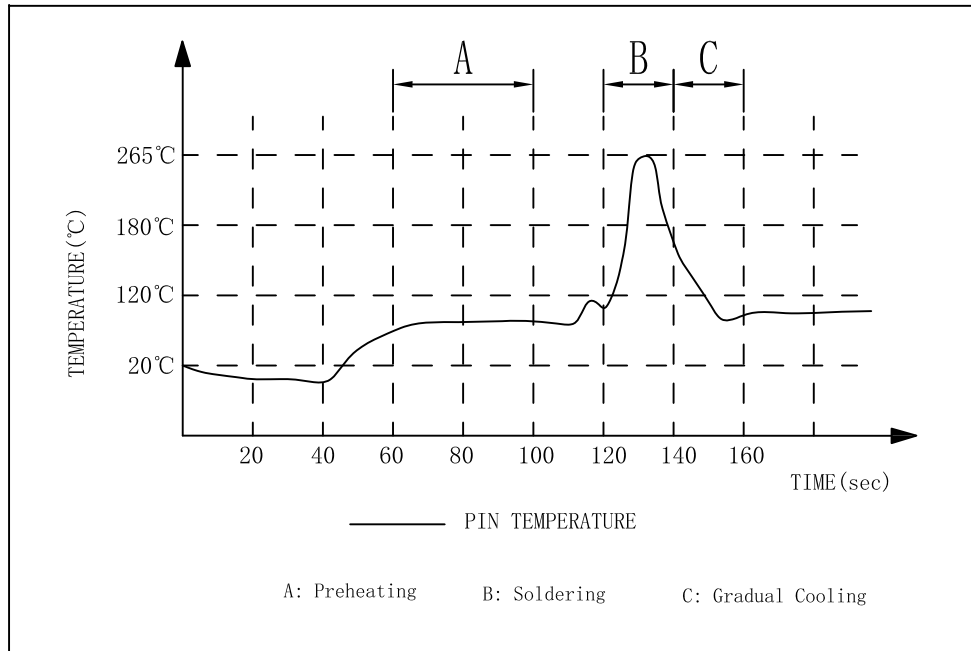
X:X	± 0.25	APPD:	Trxcom Huizhou Trxcom Electronics Co.,Ltd
X:XX	± 0.20	CHKD:	
X:XXX	± 0.05	DR: TOM	TITLE: Vertical RJ45 Connector With 1000 Magnetic
ANGLES	$\pm 1^\circ$	UNIT: mm	PART NO.: TRJD4646B4NL
	SCALE: 2/1	SHEET: 2/4	REV: A DWG NO.: TRC16060635

Profile of wave solder:

REV.	ECN NO.	DESCRIPTION	DATE	APPD
A	REL		2016/06/06	

SUGGESTED PROFILE OF WAVE SOLDER FOR ROHS PRODUCT

REV: A
 TEMP(°C): 25
 HUM(%): 65 RH

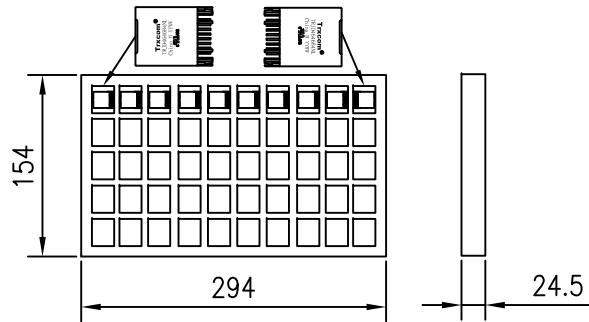


- (1) Tip Temperature: 265°C max
 - (2) Tip Temperature time: 5sec max
- Note: The melting point of Tin: 219°C

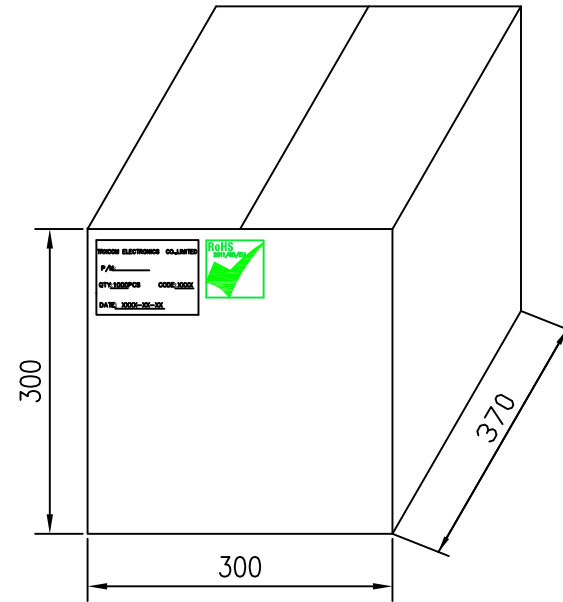
X:X	±0.25	APPD:	Trxcom Huizhou Trxcom Electronics Co.,Ltd	
X:XX	±0.20	CHKD:		
X:XXX	±0.05	DR: TOM	TITLE: Vertical RJ45 Connector With 1000 Magnetic	
ANGLES	±1°	UNIT: mm	PART NO.: TRJD4646B4NL	
	SCALE: 2/1	SHEET: 3/4	REV: A	DWG NO.: TRC16060635

Packaging:

REV.	ECN NO.	DESCRIPTION	DATE	APPD
A	REL		2016/06/06	



20Tray →



- ◆ Packaging unit: 50pcs/tray
- ◆ Packaging material: PVC
- ◆ Outer carton unit: 1000pcs/20tray/box
- ◆ Net Weight: 7kg
- ◆ Gross Weight: 9kg

X:X	±0.25	APPD:	Trxcom
X:XX	±0.20	CHKD:	
X:XXX	±0.05	DR: TOM	TITLE: 1*1 16.70mm Vertical RJ45 Packing
ANGLES	±1°	UNIT: mm	PART NO.: TRJD4646B4NL
	SCALE: 2/1	SHEET: 4/4	REV: A DWG NO.: TRC16060635