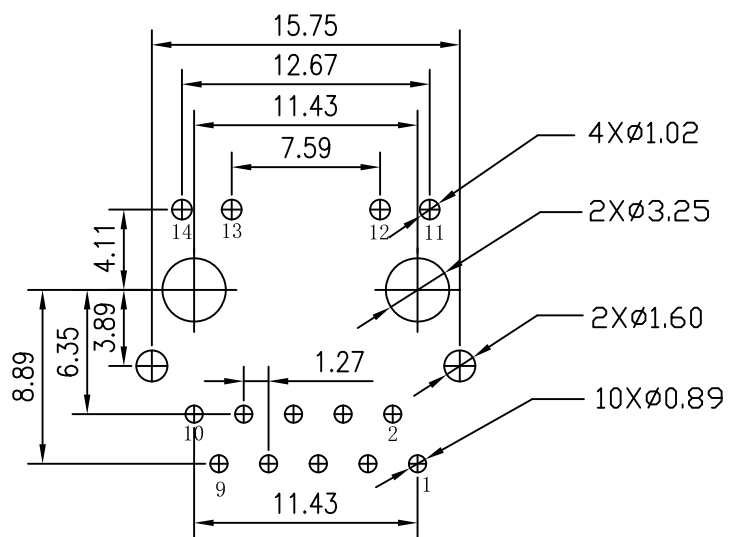
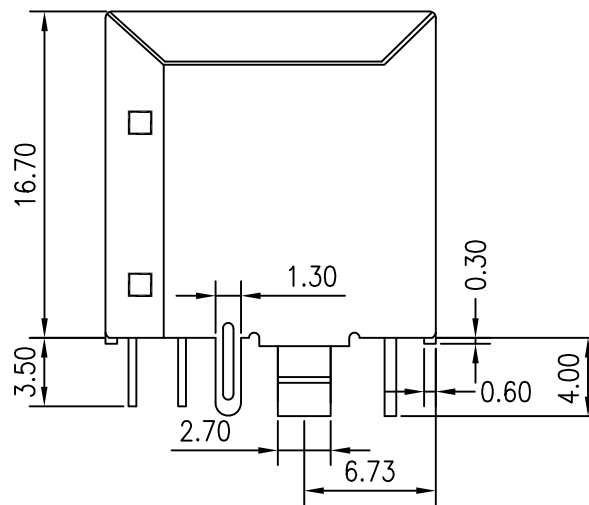
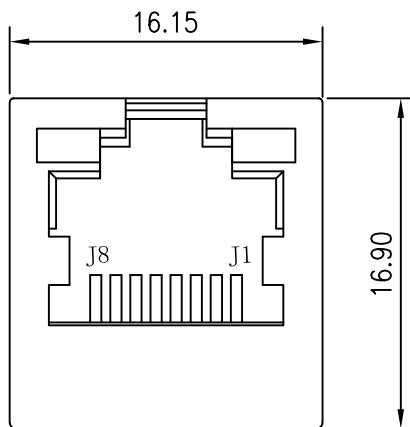


Mechanical :

REV.	ECN NO.	DESCRIPTION	DATE	APPD
A	REL		2016/06/06	



SUGGESTED PCB LAYOUT (TOP VIEW)



NOTES :

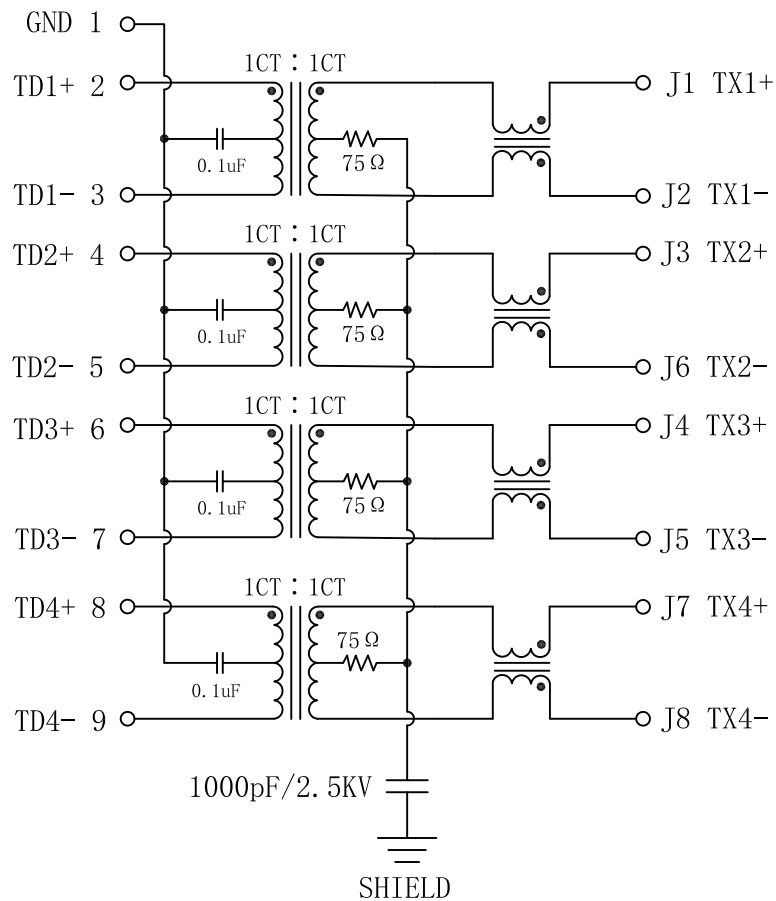
1. Designed to support application, such as SOHO (ADSL modems), LAN-on-Motherboard (LOM), hub and Switches.
2. Meets IEEE 802.3 specification
3. Connector Materials:
 Housing Material: Thermoplastic PBT+30%G.F UL94V-0
 Contact Material: Phosphor Bronze C5210R-EH Thickness=0.35mm
 Pins: Brass C2680R-H Thickness=0.35mm
 Shield: Copper alloy Brass H65Y Thickness=0.2mm
 Contact plating: Gold 6 micro-inches min. In contact area.
4. Wave solder tip temperature: 265°C Max, 5 Sec.
5. UL Certification: File Number E321120.

X:X	±0.25	APPD:	Trxcom Huizhou Trxcom Electronics Co., Ltd	
X:XX	±0.20	CHKD:		
X:XXX	±0.05	DR: TOM	TITLE: Vertical RJ45 Connector With 1000 Magnetic	
ANGLES	±1°	UNIT: mm	PART NO.: TRJD46170B86NL	
	SCALE: 2/1	SHEET: 1/4	REV: A	DWG NO.: TRC2342001

Schematic:

REV.	ECN NO.	DESCRIPTION	DATE	APPD
A	REL		2016/06/06	

PC BOARD CONNECTIONS

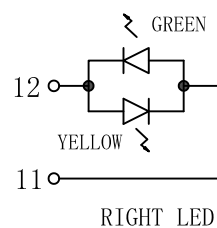
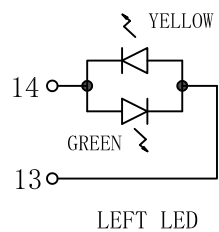


RJ45 CONNECTOR

Electrical Specifications @25°C

- Turns Ratio ($\pm 3\%$):
Pri : Sec = 1CT : 1CT
- Inductance (@100KHz, 100mV, 8mA, DC Bias):
350uH Min
- Insertion Loss:
1~100MHz: -1.0dB Max
- Return Loss (dB Min. @100 Ω):
1~30MHz: -16 30~60MHz: -13.5
60~80MHz: -12 80~100MHz: -10
- Crosstalk (dB Min):
1~60MHz: -33 60~100MHz: -30
- CMRR (dB Min):
1~30MHz: -35 30~60MHz: -32
60~100MHz: -30
- Hi-pot: 1500Vrms
- Operating Temperature: -40°C ~ +85°C.

Emitting Color	λ_p (nm)	V _F @I _F =20mA	IR @V _R =5V
GREEN	565	1.8~2.6V	10 μ A max
YELLOW	585	1.8~2.6V	10 μ A max



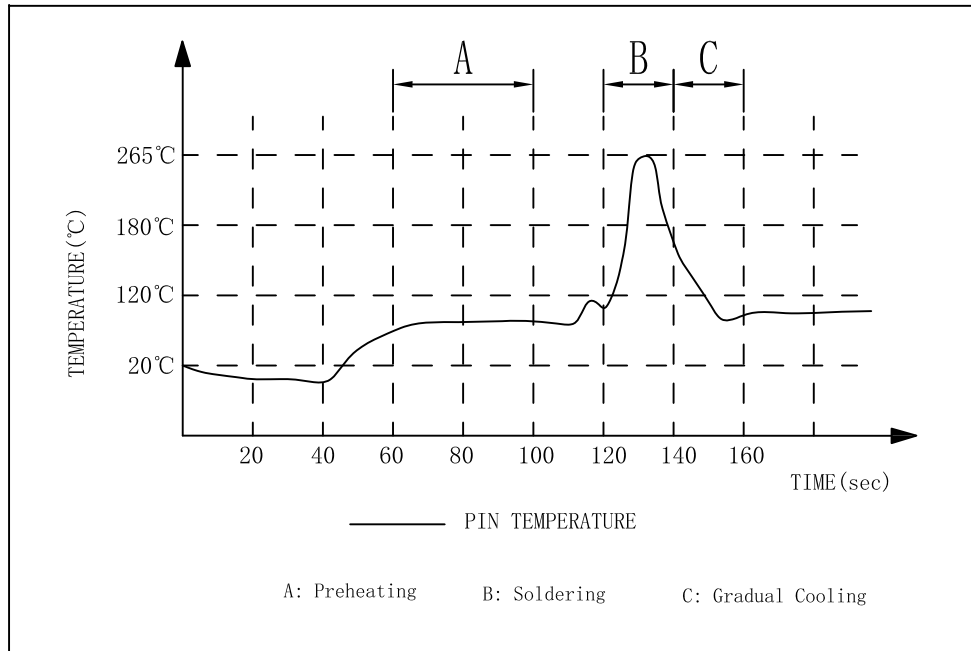
X:X	± 0.25	APPD:	Trxcom
X:XX	± 0.20	CHKD:	
X:XXX	± 0.05	DR: TOM	TITLE: Vertical RJ45 Connector With 1000 Magnetic
ANGLES	$\pm 1^\circ$	UNIT: mm	PART NO.: TRJD46170B86NL
	SCALE: 2/1	SHEET: 2/4	REV: A DWG NO.: TRC2342001

Profile of wave solder:

REV.	ECN NO.	DESCRIPTION	DATE	APPD
A	REL		2016/06/06	

SUGGESTED PROFILE OF WAVE SOLDER FOR ROHS PRODUCT

REV: A
 TEMP(°C): 25
 HUM(%): 65 RH

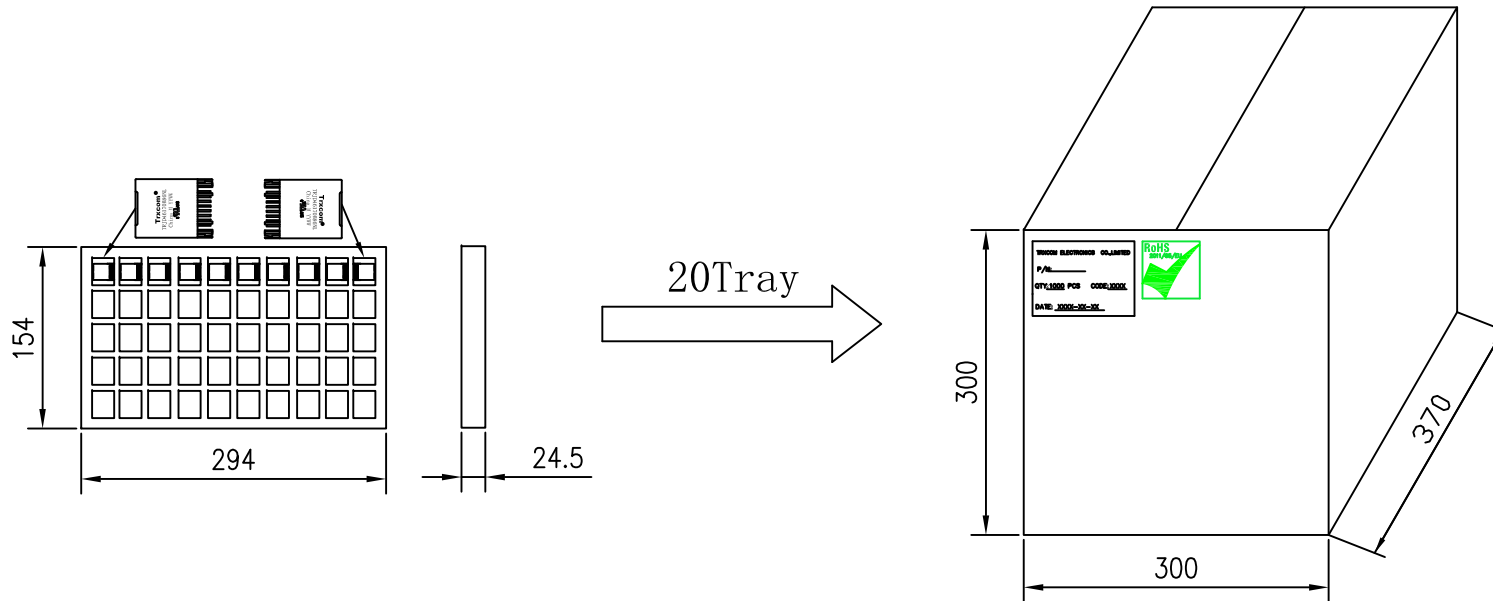


- (1) Tip Temperature: 265°C max
 - (2) Tip Temperature time: 5sec max
- Note: The melting point of Tin: 219°C

X:X	±0.25	APPD:	Trxcom Huizhou Trxcom Electronics Co.,Ltd	
X:XX	±0.20	CHKD:		
X:XXX	±0.05	DR: TOM	TITLE: Vertical RJ45 Connector With 1000 Magnetic	
ANGLES	±1°	UNIT: mm	PART NO.: TRJD46170B86NL	
	SCALE: 2/1	SHEET: 3/4	REV: A	DWG NO.: TRC2342001

Packaging:

REV.	ECN NO.	DESCRIPTION	DATE	APPD
A	REL		2016/06/06	



- ◆ Packaging unit: 50pcs/tray
- ◆ Packaging material: PVC
- ◆ Outer carton unit: 1000pcs/20tray/box
- ◆ Net Weight: 7kg
- ◆ Gross Weight: 9kg

X:X	±0.25	APPD:	Trxcom
X:XX	±0.20	CHKD:	
X:XXX	±0.05	DR: TOM	TITLE: 1*1 16.90mm Vertical RJ45 Packing
ANGLES	±1°	UNIT: mm	PART NO. : TRJD46170B86NL
	SCALE: 2/1	SHEET: 4/4	REV: A DWG NO. : TRC2342001