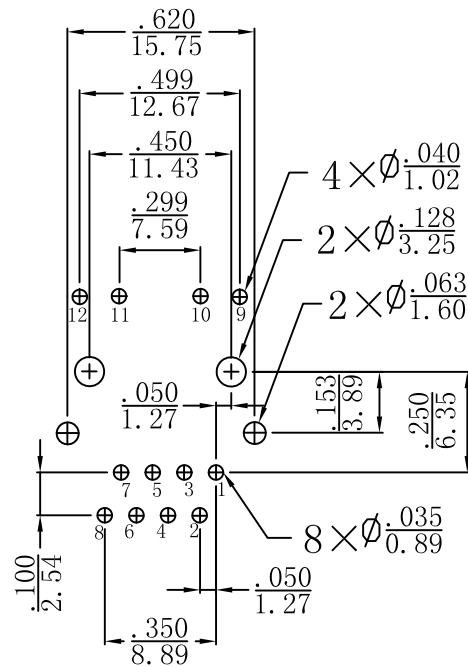
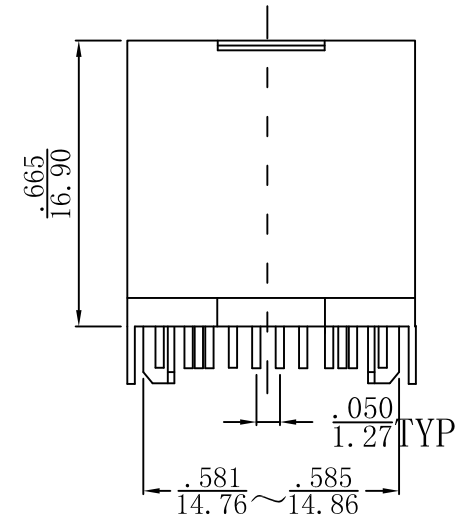
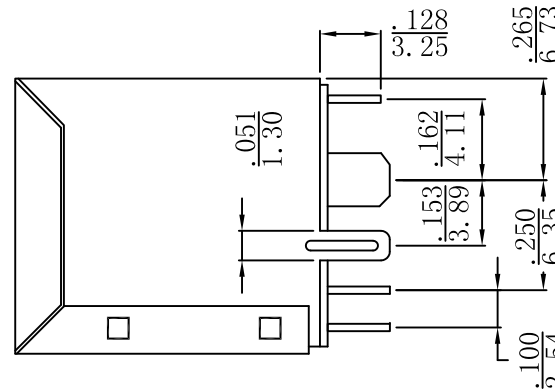
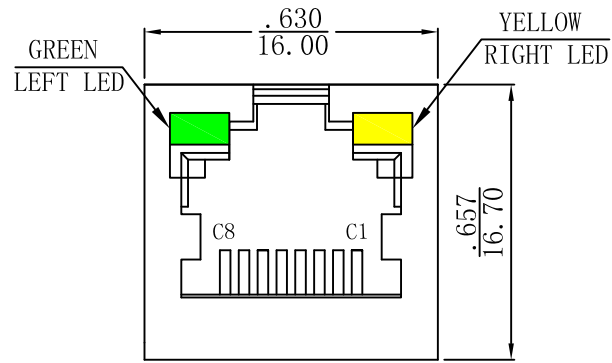
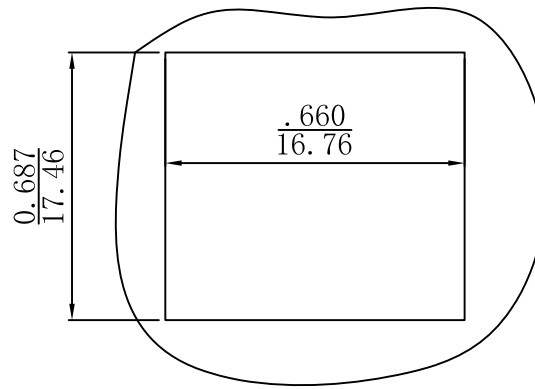


# Mechanical:

REV.	ECN NO.	DESCRIPTION	DATE	APPD
A	REL		10/11/2009	



SUGGESTED PCB LAYOUT (TOP VIEW)



RECOMMENDED PANEL CUTOUT DIMENSION



## NOTES:

1. Designed to support application, such as SOHO (ADSL modems), LAN-on-Motherboard (LOM), hub and Switches.
2. Meets IEEE 802.3 specification
3. Connector Materials:  
Housing: Thermoplastic UL94V-0  
Contact/Shield: Copper alloy  
Shield plating: Nickel  
Contact plating: Gold 6 micro-inches min. In contact area.
4. Wave solder tip temperature: 265°C Max  
Wave solder tip temperature time: 5 Sec Max
5. UL Certification: File Number E321120

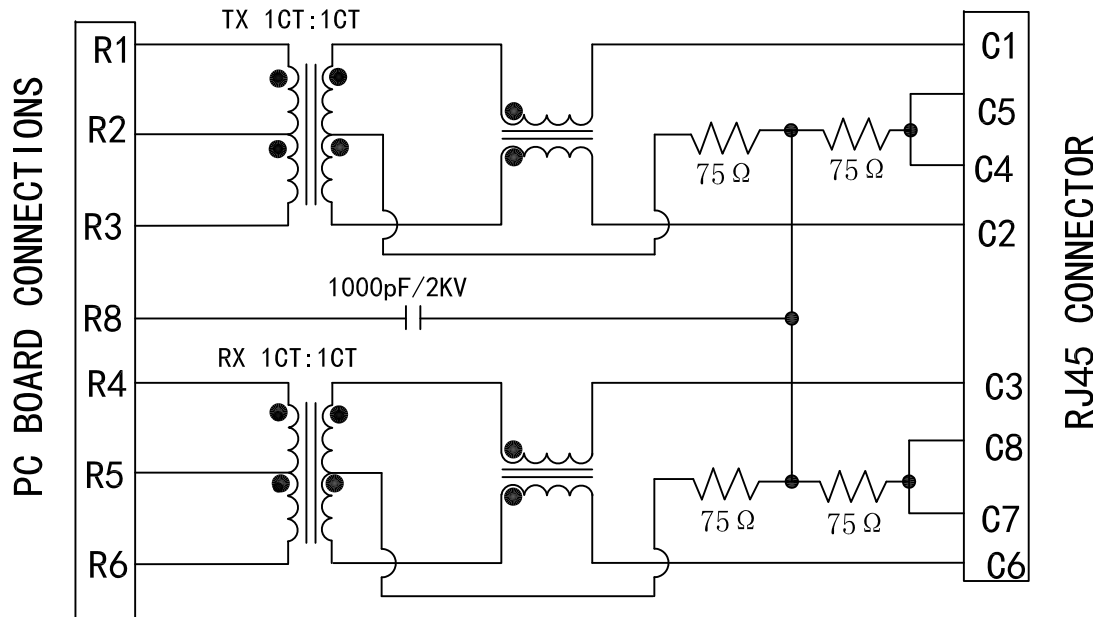
X:X	±0.30	APPD:	Trxcom
X:XX	±0.25	CHKD:	ShenZhen Trxcom Electronics Co., ltd
X:XXX	±0.05	DR: C. H. Y	TITLE: Vertical RJ45 Connector With 10/100 Magnetic
ANGLES	±1°	UNIT: Inches/mm	PART NO: TRJD4012BENL
	SCALE: 2/1	SHEET: 1/2	REV: A DWG NO: TRC09111005

# Schematic:

REV.	ECN NO.	DESCRIPTION	DATE	APPD
A	REL		10/11/2009	

INPUT

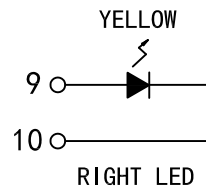
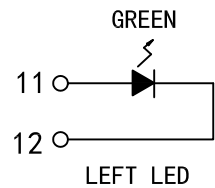
OUTPUT



## ELECTRICAL SPECIFICATION:

TEST NOTES (25 ± 5°C)

- TR: (100KHz, 0.1V);  
TX=1CT:1CT ±2%      RX=1CT:1CT ±2%
- LX: (100KHz, 100mV, 8mA, DC Bias)  
PINS: (R1-R3), (R4-R6)=350uH MIN
- TRANSMITTER FILTER & RECEIVER FILTER TYPE:  
BALANCE LOW PASS 100Ω IMPEDANCE
- HIPOT:  
Input (R1-R3) TO Output (C1-C2): 1500VAC 60sec  
Input (R4-R6) TO Output (C3-C6): 1500VAC 60sec
- INSERTION LOSS:  
-1.0dB MAX @ 1.0MHz TO 100MHz
- RETURN LOSS:  
-18dB MIN @ 1.0MHz TO 30MHz  
-16dB MIN @ 30MHz TO 60MHz  
-12dB MIN @ 60MHz TO 80MHz
- CROSS TALK:  
-30dB MIN @1.0MHz TO 100MHz
- COMMON MODE REJECTION:  
-30dB MIN @1.0MHz TO 100MHz
- OPERATING VOLTAGE: 3.3-5V  
CURRENT: 350mA.
- OPERATING TEMPERATURE: -40°C to +85°C.



Emitting Color	λ p(nm)	VF@IF=20mA	IR @VR=5V
GREEN	565	1.8~2.6V	10 μ A max
YELLOW	585	1.8~2.6V	10 μ A max



X:X	±0.30	APPD:	Trxcom
X:XX	±0.25	CHKD:	ShenZhen Trxcom Electronics Co., ltd
X:XXX	±0.05	DR: C. H. Y	TITLE: Vertical RJ45 Connector With 10/100 Magnetic
ANGLES	±1°	UNIT: Inches/mm	PART NO: TRJD4012BENL
	SCALE: 2/1	SHEET: 2/2	REV: A      DWG NO: TRC09111005