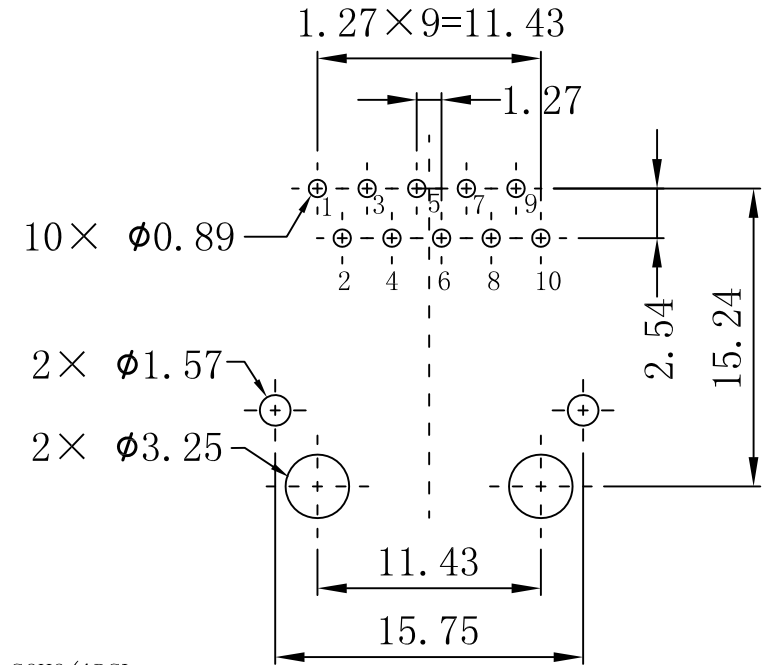
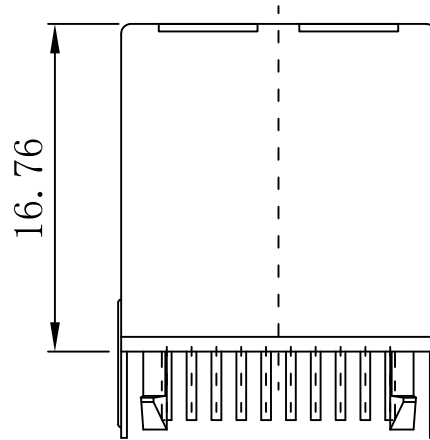
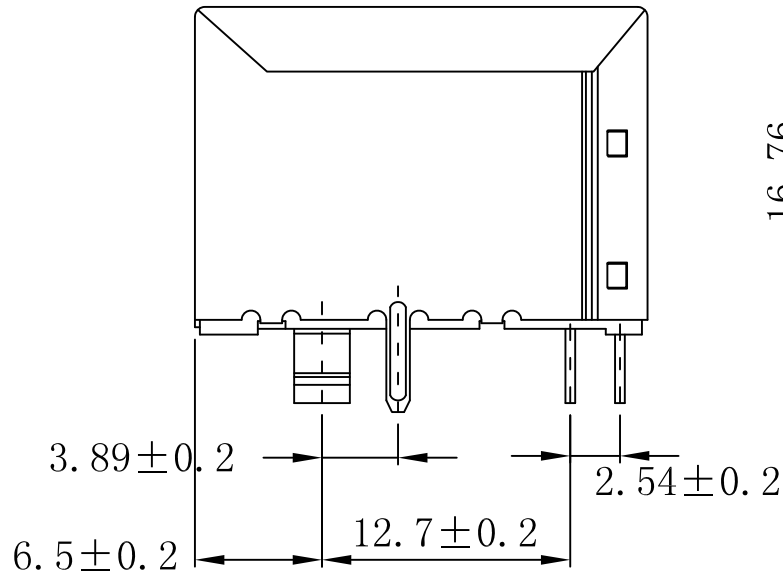


Mechanical :

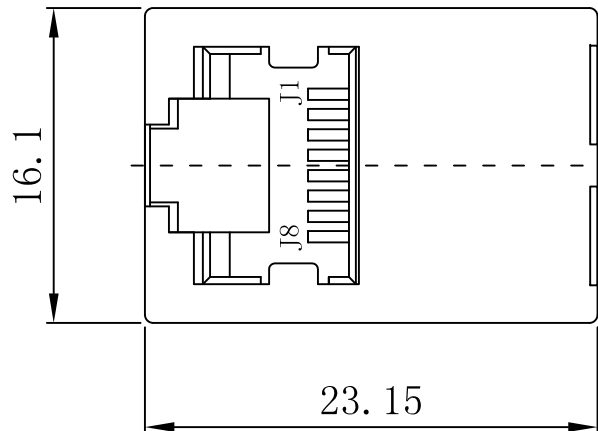
REV.	ECN NO.	DESCRIPTION	DATE	APPD
A	REL		05/05/2009	



SUGGESTED PCB LAYOUT (TOP VIEW)

NOTES:

1. Designed to support application, such as SOHO (ADSL modems), LAN-on-Motherboard (LOM), hub and Switches.
2. Meets IEEE 802.3 specification
3. Connector Materials:
Housing: Thermoplastic UL94V-0
Contact/Shield: Copper alloy
Shield plating: Nickel
Contact plating: Gold 6 micro-inches min. in contact area.
USB Contact plating: Gold flash.
4. Wave solder tip temperature: 265°C Max
Wave solder tip temperature time: 5 Sec Max
5. UL Certification: File Number E321120

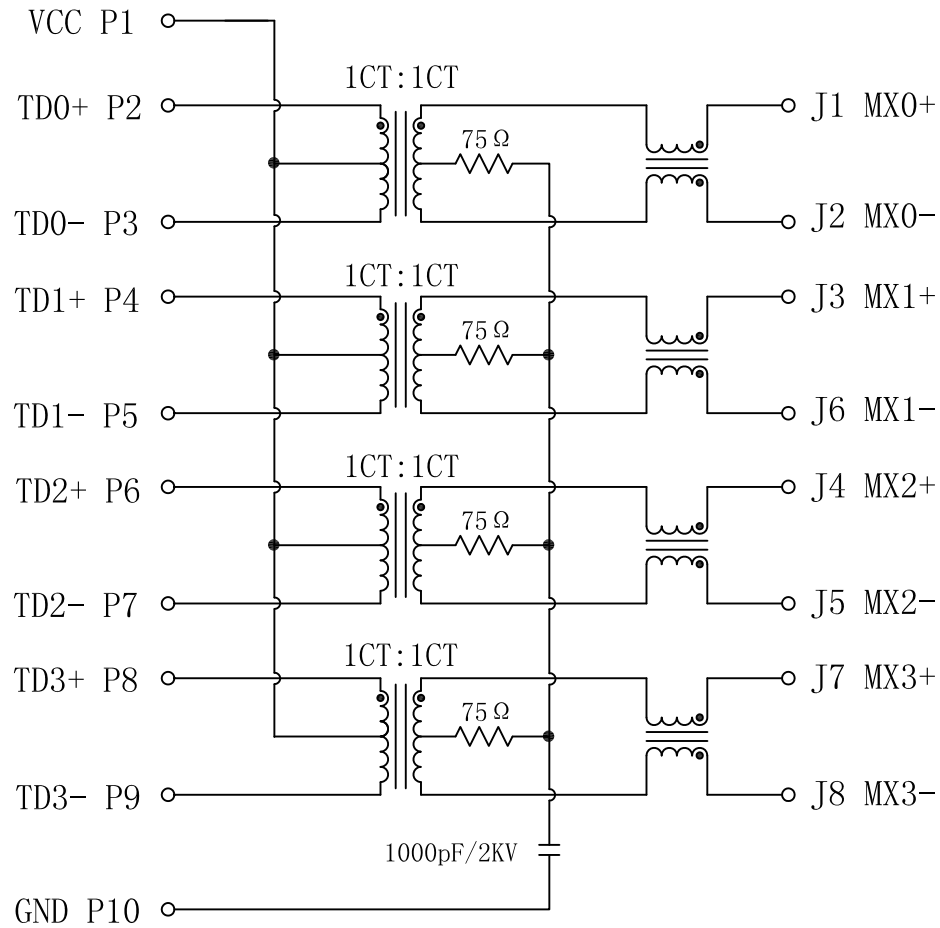


X:X	±0.20	APPD:	Trxcom
X:XX	±0.10	CHKD:	ShenZhen Trxcom Electronics Co., Ltd
X:XXX	±0.05	DR: C.H.Y	TITLE: Vertical RJ45 Connector With 1000 Magnetic
ANGLES	±1°	UNIT: mm	PART NO.: TRJD0820DNL
	SCALE: 2/1	SHEET: 1/2	REV: A DWG NO.: TRC09050515

Schematic:

REV.	ECN NO.	DESCRIPTION	DATE	APPD
A	REL		05/05/2009	

PCB SIDE



CABLE SIDE

Electrical Specifications @ 25°C
unless otherwise noted:

- INDUCTANCE:
350uH Min, 100KHz, 100mV, 8mADC,
J1-J2;J3-J6;J4-J5;J7-J8, LP.
- Return Loss(dB Min) :
1-40MHz:-18 40-60MHz:-14
60-80MHz:-12 80-100MHz:-10
- Crosstalk:
1-100MHz:-30dB Min
- Insertion Loss:
1-100MHz:-1.0dB Max
- CMR:
1-100MHz:-35dB Min
- Turns Ratio: 1CT : 1CT
- Isolation Voltage: 1500Vrms/60Hz
- OPERATING TEMPERATURE RANGE: 0°C-70°C.



X:X	±0.20	APPD:	Trxcom	
X:XX	±0.10	CHKD:	ShenZhen Trxcom Electronics Co., ltd	
X:XXX	±0.05	DR: C. H. Y	TITLE: Vertical RJ45 Connector With 1000 Magnetic	
ANGLES	±1°	UNIT: mm	PART NO.: TRJD0820DNL	
	SCALE: 2/1	SHEET: 2/2	REV: A	DWG NO.: TRC09050515