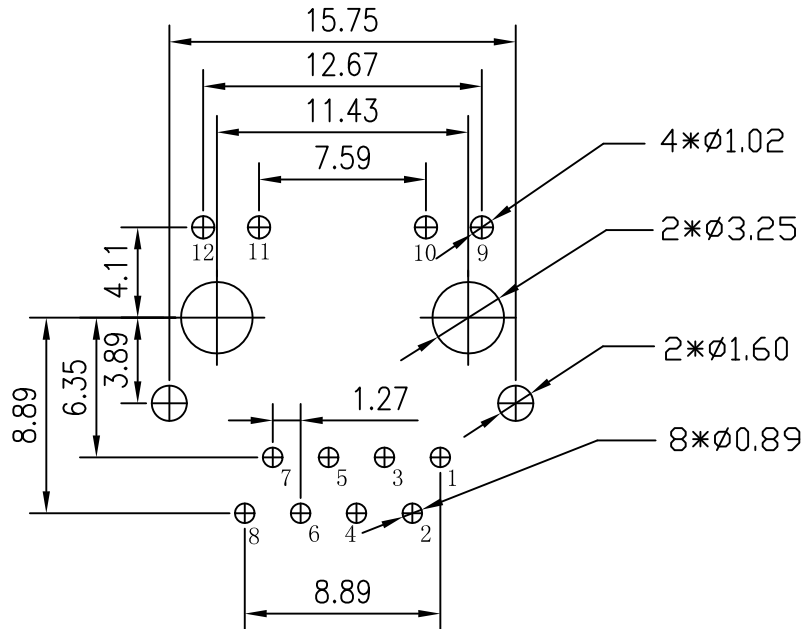
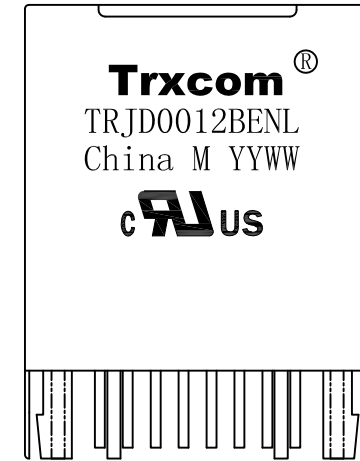
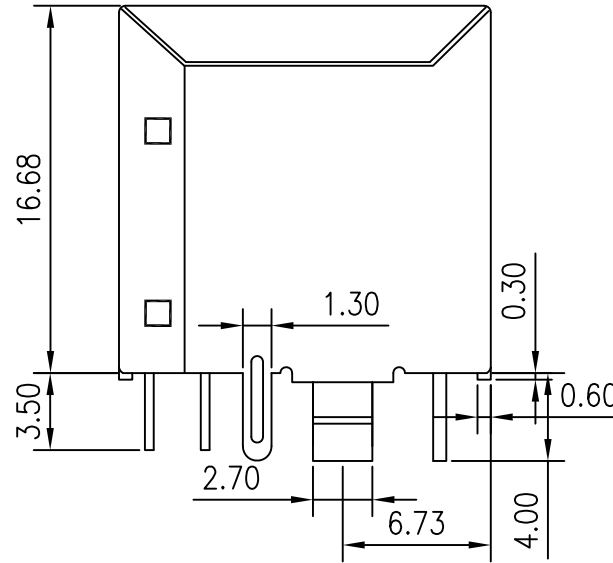
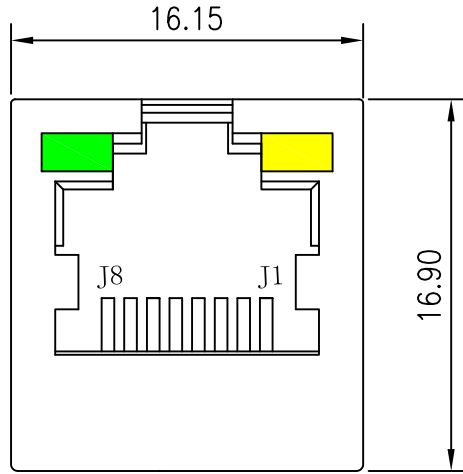


# Mechanical:

REV.	ECN NO.	DESCRIPTION	DATE	APPD
A	REL		2015-06-08	



SUGGESTED PCB LAYOUT (TOP VIEW)



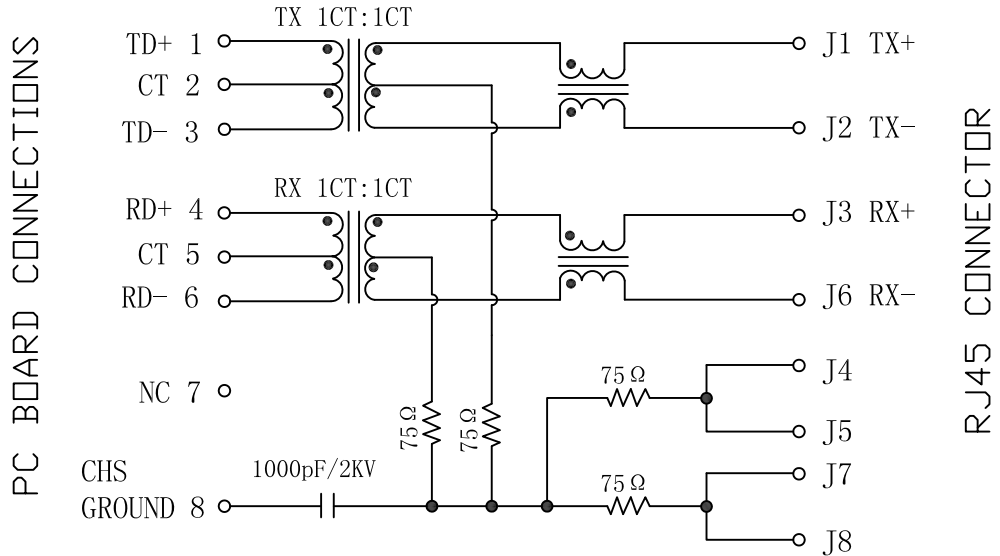
### NOTES:

1. Designed to support application, such as SOHO (ADSL modems), LAN-on-Motherboard (LOM), hub and Switches.
2. Meets IEEE 802.3 specification
3. Connector Materials:  
Housing: Thermoplastic UL94V-0  
Contact/Shield: Copper alloy  
Shield plating: Nickel  
Contact plating: Gold 6 micro-inches min. In contact area.
4. Wave solder tip temperature: 265°C Max, 5 Sec.
5. UL Certification: File Number E321120

X:X	±0.25	APPD:	<b>Trxcom</b> Huizhou Trxcom Electronics Co., Ltd.
X:XX	±0.20	CHKD:	
X:XXX	±0.05	DR: SEA	TITLE: Vertical RJ45 Connector With 10/100 Magnetic
ANGLES	±1°	UNIT: mm	PART NO.: TRJD0012BENL
	SCALE: 3/1	SHEET: 1/4	REV: A
			DWG NO.: TRC13122316

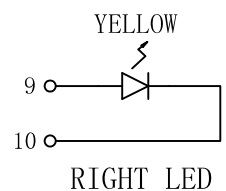
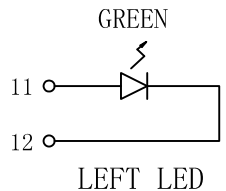
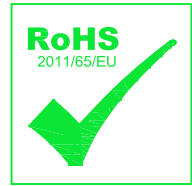
# Schematic:

REV.	ECN NO.	DESCRIPTION	DATE	APPD
A	REL		2015-06-08	



## ELECTRICAL SPECIFICATIONS @25°C

- Turn Ratio ( $\pm 2\%$ ):  
TX=1CT:1CT      RX=1CT:1CT
- Inductance OCL:  
350uH MIN @ 100KHz 0.1V 8mA DC Bias
- DCR: 1.2  $\Omega$  MAX
- Insertion Loss:  
-1.0dB MAX @1-100MHz
- Return Loss:  
-18dB MIN @1-30MHz  
-16dB MIN @30-60MHz  
-12dB MIN @60-80MHz
- Cross talk:  
-30dB MIN @1-100MHz
- Common Mode Rejection:  
-30dB MIN @1-100MHz
- Hipot Test: 1500Vrms
- Operating Temperature Range: 0°C ~70°C.



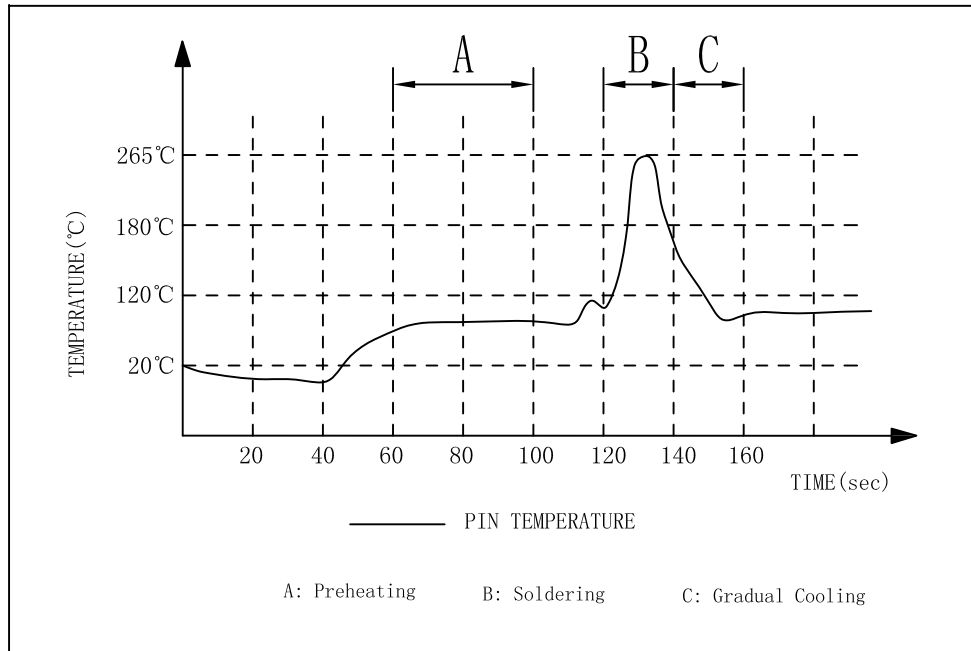
Emitting Color	$\lambda_p$ (nm)	V <sub>F</sub> @I <sub>F</sub> =20mA	I <sub>R</sub> @V <sub>R</sub> =5V
GREEN	565	1.8~2.6V	10 $\mu$ A max
YELLOW	585	1.8~2.6V	10 $\mu$ A max

X:X	$\pm 0.25$	APPD:	<b>Trxcom</b> Huizhou Trxcom Electronics Co., Ltd.
X:XX	$\pm 0.20$	CHKD:	
X:XXX	$\pm 0.05$	DR: SEA	
ANGLES	$\pm 1^\circ$	UNIT: mm	TITLE: Vertical RJ45 Connector With 10/100 Magnetic
			PART NO.: TRJD0012BENL
	SCALE: 3/1	SHEET: 2/4	REV: A      DWG NO.: TRC13122316

REV.	ECN NO.	DESCRIPTION	DATE	APPD
A	REL		2015-06-08	

SUGGESTED PROFILE OF WAVE SOLDER FOR ROHS PRODUCT

REV: A  
 TEMP(°C): 25  
 HUM(%): 65 RH

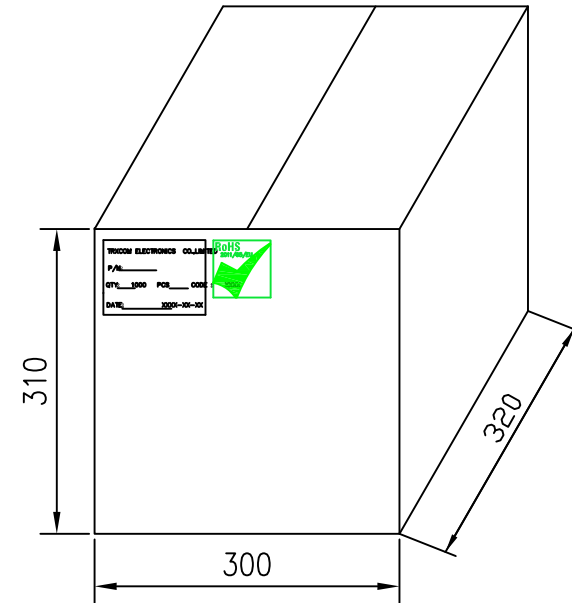
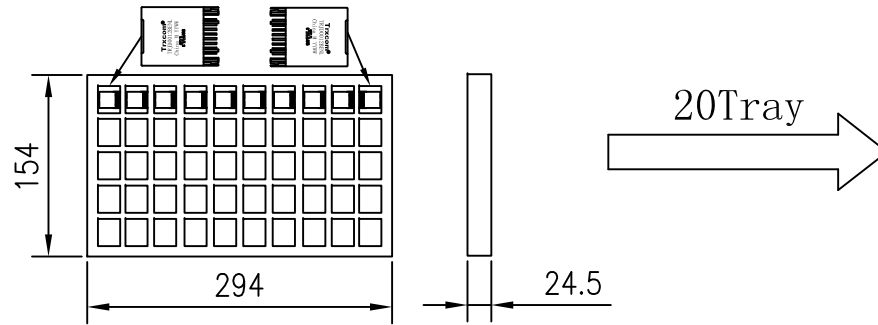


- (1) Tip Temperature: 265°C max
  - (2) Tip Temperature time: 5sec max
- Note: The melting point of Tin: 219°C

X:X	±0.25	APPD:	<b>Trxcom</b>
X:XX	±0.20	CHKD:	
X:XXX	±0.05	DR: SEA	TITLE: Vertical RJ45 Connector With 10/100 Magnetic
ANGLES	±1°	UNIT: mm	PART NO.: TRJD0012BENL
	SCALE: 3/1	SHEET: 3/4	REV: A      DWG NO.: TRC13122316

Packaging:

REV.	ECN NO.	DESCRIPTION	DATE	APPD
A	REL		2015-06-08	



- ◆ Packaging unit: 50pcs/tray
- ◆ Packaging material: PVC
- ◆ Outer carton unit: 1000pcs/20tray/box
- ◆ Net Weight: 7kg
- ◆ Gross Weight: 9kg

X:X	±0.25	APPD:	<b>Trxcom</b> Huizhou Trxcom Electronics Co.,Ltd.
X:XX	±0.20	CHKD:	
X:XXX	±0.05	DR: SEA	
ANGLES	±1°	UNIT: mm	
			TITLE: <b>1*1 16.68mm Vertical RJ45 Packing</b>
			PART NO.: TRJD0012BENL
		SCALE: 3/1	SHEET: 4/4
		REV: A	DWG NO.: TRC13122316