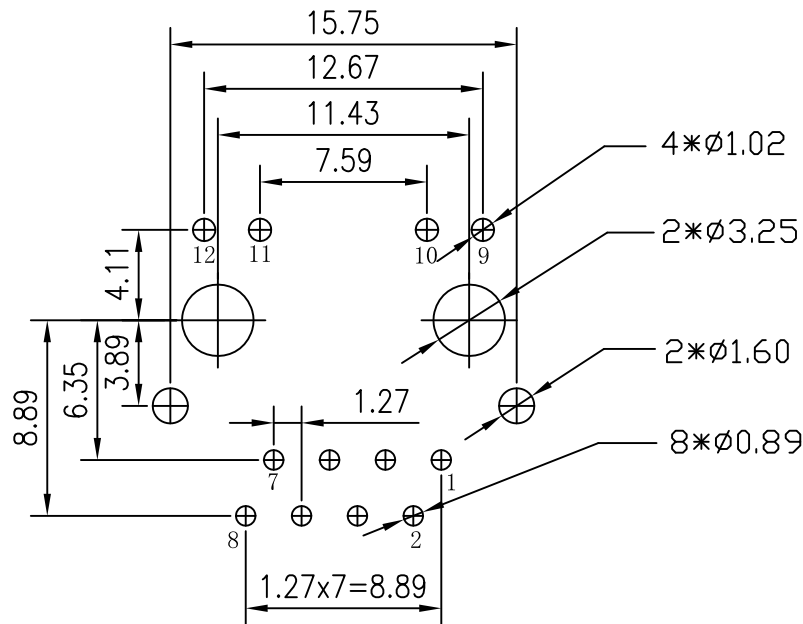
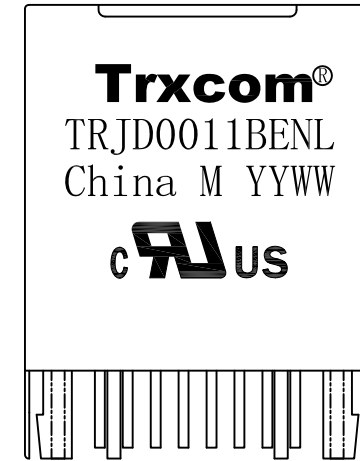
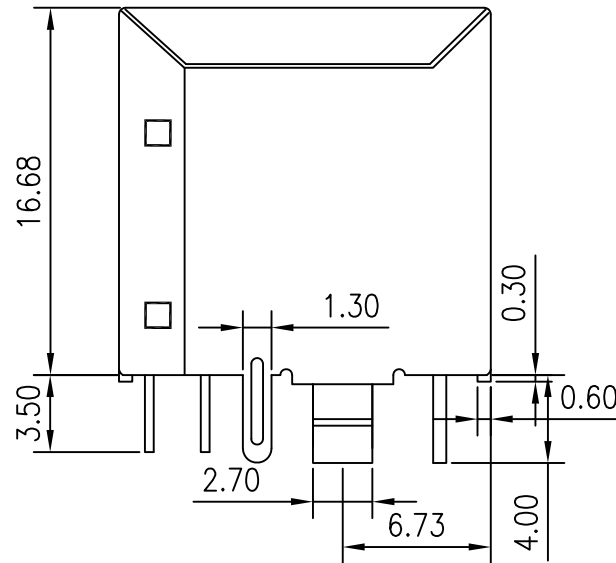
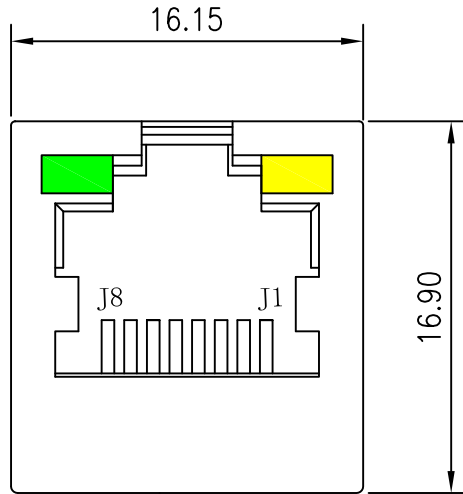


Mechanical:

REV.	ECN NO.	DESCRIPTION	DATE	APPD
A	REL		2015-06-08	



SUGGESTED PCB LAYOUT (TOP VIEW)

NOTES:

1. Meets IEEE 802.3 specification
2. Connector Materials:
 Housing: Thermoplastic UL94V-0
 Contact/Shield: Copper alloy
 Shield plating: Nickel
 Contact plating: Gold 6 micro-inches min. In contact area
3. Wave solder tip temperature: 265°C Max, 5 Sec Max
4. UL Certification: File Number E321120

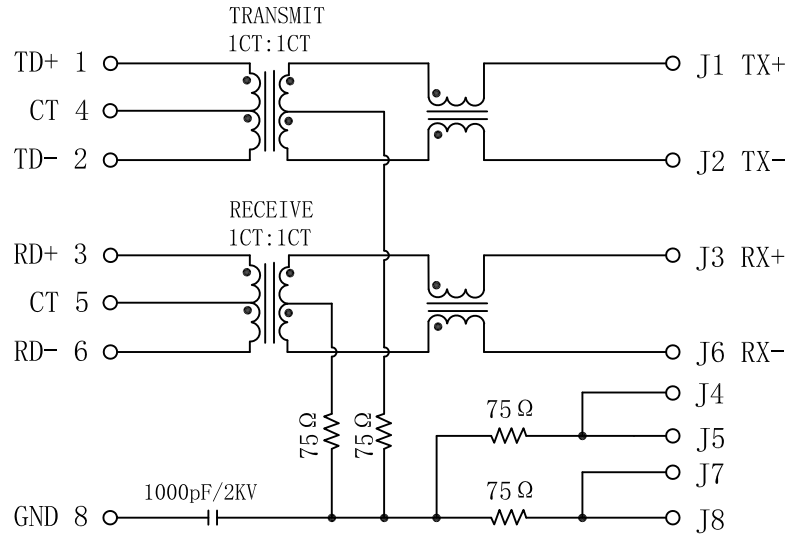


X:X	±0.25	APPD:	Trxcom	
X:XX	±0.20	CHKD:	Huizhou Trxcom Electronics Co., Ltd.	
X:XXX	±0.05	DR: GRANT	Title: Vertical RJ45 Connector With 10/100 Magnetic	
ANGLES	±1°	UNIT: mm	PART NO.: TRJD0011BENL	
	SCALE: 3/1	SHEET: 1/4	REV: A	DWG NO.: TRC13122722

Schematic:

REV.	ECN NO.	DESCRIPTION	DATE	APPD
A	REL		2015-06-08	

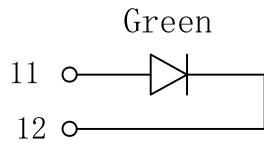
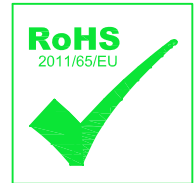
PC BOARD CONNECTIONS



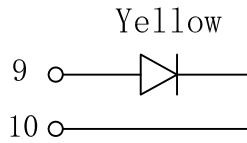
RJ45 CONNECTOR

ELECTRICAL SPECIFICATIONS @25°C

- Turn Ratio ($\pm 3\%$):
TX=1CT:1CT RX=1CT:1CT
- Inductance OCL:
350uH MIN @ 100KHz 0.1V 8mA DC Bias
- DCR: 1.2 Ω MAX
- Insertion Loss:
-1.0dB MAX @ 1-100MHz
- Return Loss:
-18dB MIN @ 1-30MHz
-15dB MIN @ 30-60MHz
-12dB MIN @ 60-100MHz
- Cross talk:
-40dB MIN @ 30MHz
-35dB MIN @ 60MHz
-30dB MIN @ 100MHz
- Common Mode Rejection:
-30dB MIN @ 1-100MHz
- Hipot Test: 1500Vrms
- Operating Temperature Range: 0°C TO 70°C



Left LED



Right LED

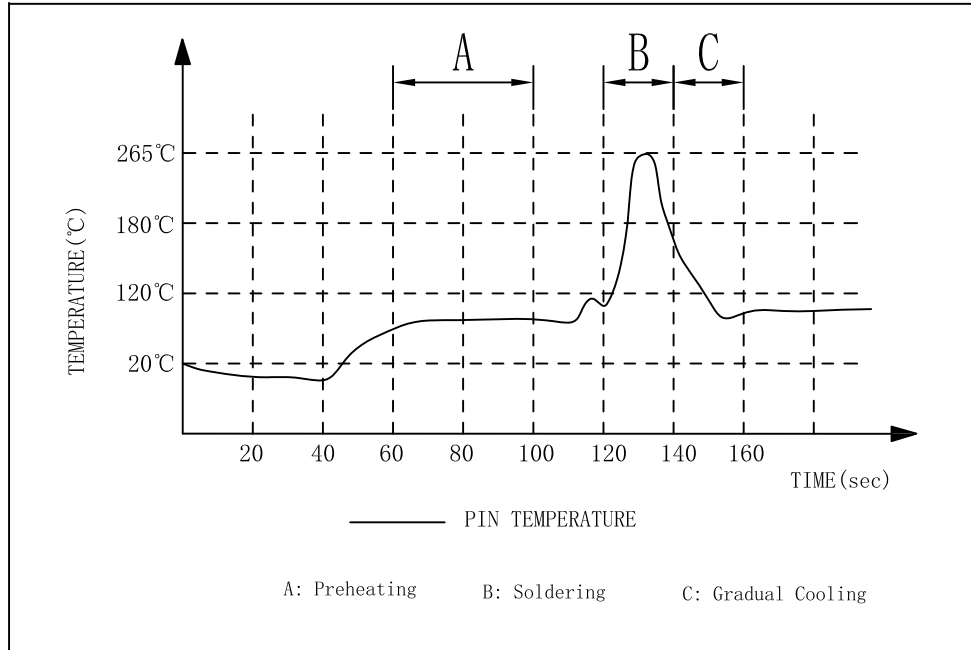
Emitting Color	λ p(nm)	VF@IF=20mA	IR @VR=5V
Green	570	1.8~2.4V	10 μ A max
Yellow	590	1.8~2.4V	10 μ A max

X:X	± 0.25	APPD:	Trxcom
X:XX	± 0.20	CHKD:	
X:XXX	± 0.05	DR: GRANT	Title: Vertical RJ45 Connector With 10/100 Magnetic
ANGLES	$\pm 1^\circ$	UNIT: mm	PART NO.: TRJD0011BENL
	SCALE: 3/1	SHEET: 2/4	REV: A DWG NO.: TRC13122722

REV.	ECN NO.	DESCRIPTION	DATE	APPD
A	REL		2015-06-08	

SUGGESTED PROFILE OF WAVE SOLDER FOR ROHS PRODUCT

REV: A
 TEMP(°C): 25
 HUM(%): 65 RH

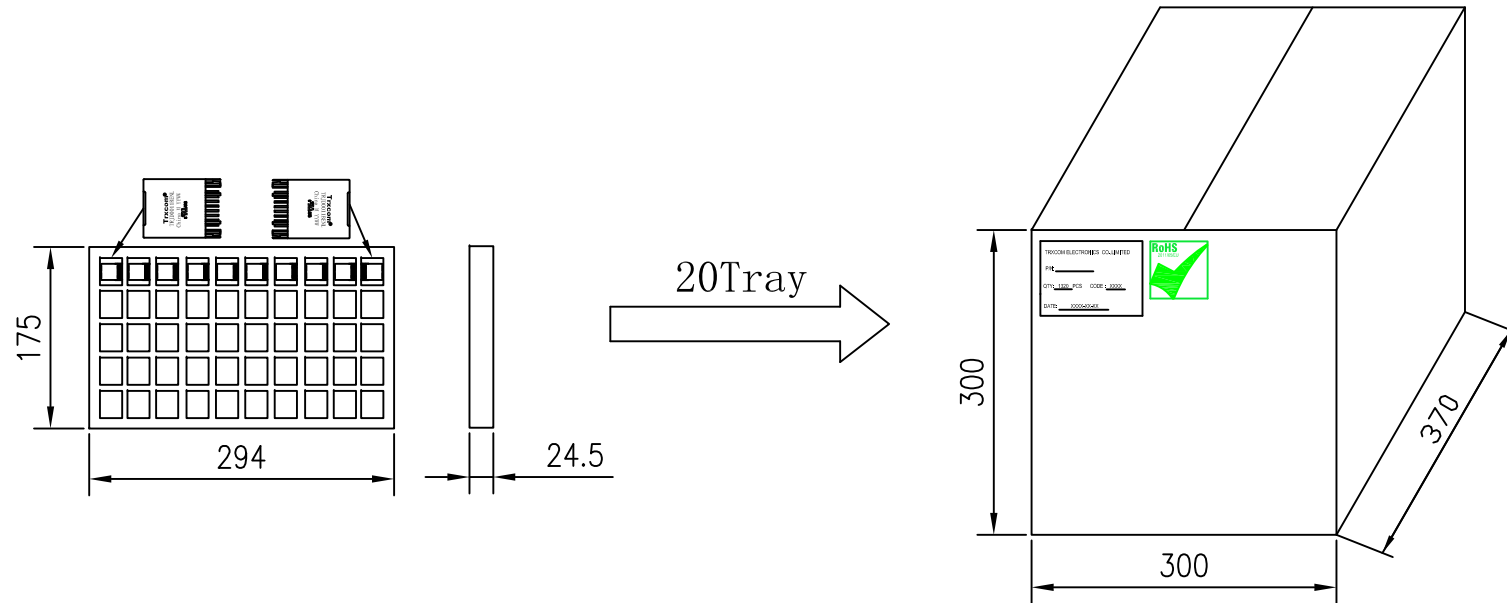


- (1) Tip Temperature: 265°C max
 - (2) Tip Temperature time: 5sec max
- Note: The melting point of Tin: 219°C

X:X ±0.25	APPD:	Trxcom
X:XX ±0.20	CHKD:	
X:XXX ±0.05	DR: GRANT	TITLE: Vertical RJ45 Connector With 10/100 Magnetic
ANGLES ±1°	UNIT: mm	PART NO.: TRJD0011BENL
	SCALE: 2/1	SHEET: 3/4
	REV: A	DWG NO.: TRC13122722

Packaging:

REV.	ECN NO.	DESCRIPTION	DATE	APPD
A	REL		2015-06-08	



- ◆ Packaging unit :50pcs/tray
- ◆ Packaging material:PVC
- ◆ Outer carton unit:1000pcs/20tray/box
- ◆ Net Weight:7kg
- ◆ Gross Weight:9kg

X:X	±0.25	APPD:	Trxcom
X:XX	±0.20	CHKD:	
X:XXX	±0.05	DR: GRANT	TITLE: 1*1 16.7 Vertical RJ45 PACKING
ANGLES	±1°	UNIT: mm	PART NO.: TRJD0011BENL
		SCALE: 2/1	SHEET: 4/4
		REV: A	DWG NO.: TRC13122722