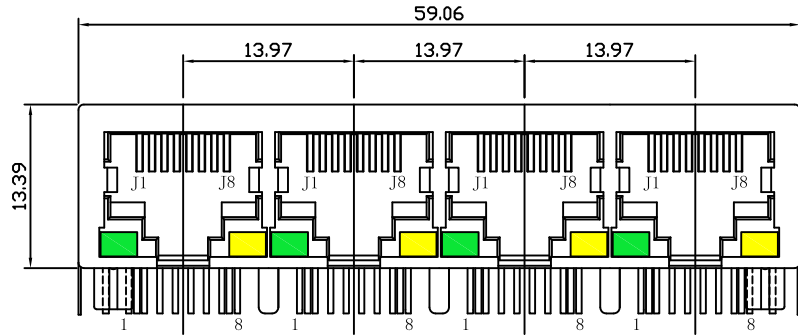
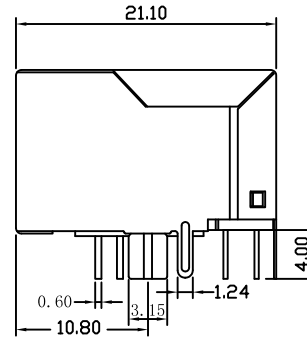


Mechanical:

REV.	ECN NO.	DESCRIPTION	DATE	APPD
A	REL		2013-12-31	



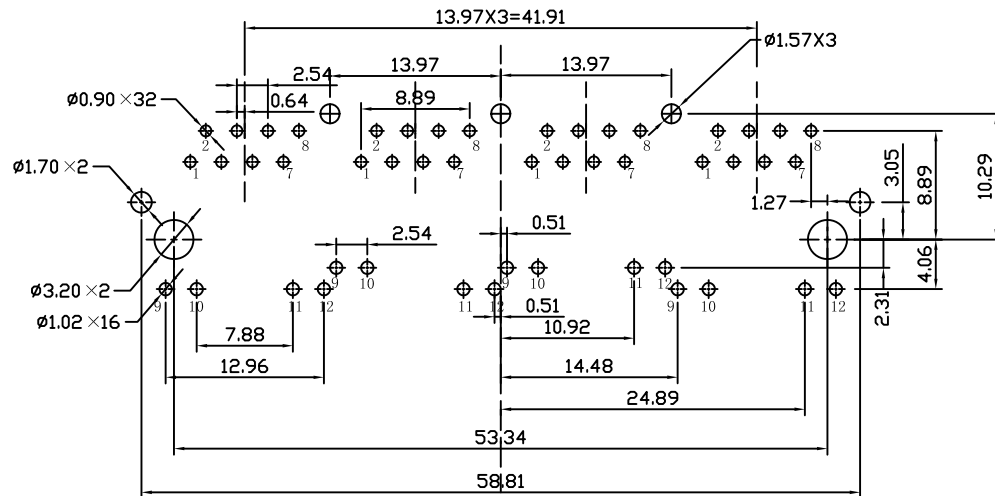
Front Side View



Left Side View



Top Side View



Suggested PCB Layout (Top View)

NOTES:

1. Designed to support application, such as SOHO (ADSL modems), LAN-on-Motherboard (LOM), hub and Switches.
2. Meets IEEE 802.3 specification
3. Connector Materials:
Housing: Thermoplastic UL94V-0
Contact/Shield: Copper alloy
Shield plating: Nickel
Contact plating: Gold 6 micro-inches min. In contact area.
4. Wave peak temperature: 260°C, 5Sec.
5. UL Certification: File Number E321120



X:X	±0.25	APPD:	Trxcom Huizhou Trxcom Electronics Co., Ltd.		
X:XX	±0.20	CHKD:			
X:XXX	±0.05	DR: SEA	TITLE: 1*4 RJ45 Connector with 10/100 Base-T Integrated Magnetics		
ANGLES	±1°	UNIT: mm	PART NO.: TRJ46401BENL		
	SCALE: 2/1	SHEET: 1/4	REV: A	DWG NO.: TRC13123145	

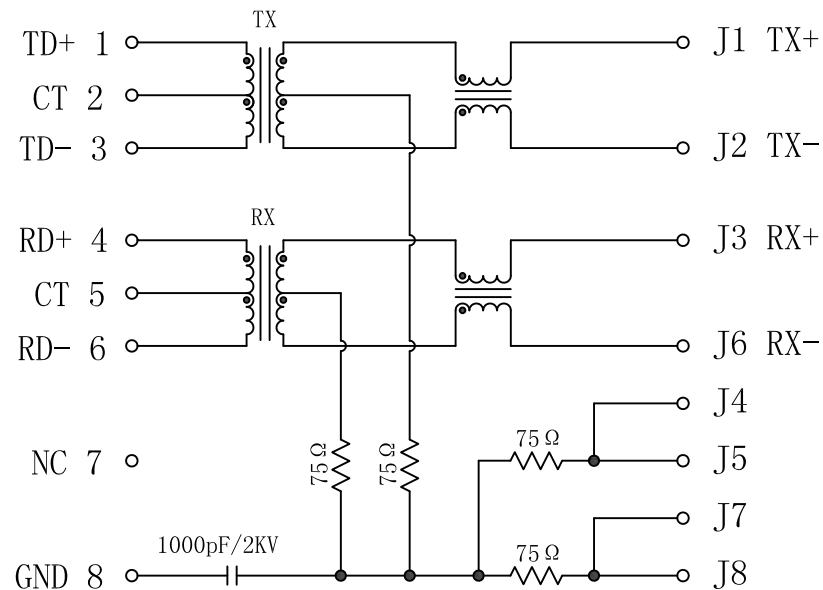
REV.	ECN NO.	DESCRIPTION	DATE	APPD
A	REL		2013-12-31	

ELECTRICAL SPECIFICATIONS @25°C

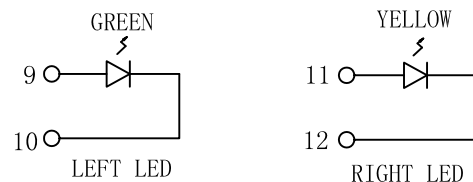
- Turn Ratio($\pm 3\%$):
TX=1CT:1CT RX=1CT:1CT
- Inductance OCL:
350uH MIN @ 100KHz 0.1V 8mA DC Bias
- DCR:1.2 Ω MAX
- Insertion Loss:
-1.0dB MAX @ 1-100MHz
- Return Loss:
-18dB MIN @ 1-30MHz
-15dB MIN @ 30-60MHz
-12dB MIN @ 60-100MHz
- Cross talk:
-40dB MIN @ 1-30MHz
-35dB MIN @ 30-60MHz
-30dB MIN @ 60-100MHz
- Common Mode Rejection:
-30dB MIN @ 1-50MHz
-20dB MIN @ 50-150MHz
- Operating Voltage: 3.3V-5V MAX, Current: 350mA
- Hipot Test: 1500Vrms
- Operating Temperature Range: -40°C to +85°C.



PCB SIDE



CABLE SIDE



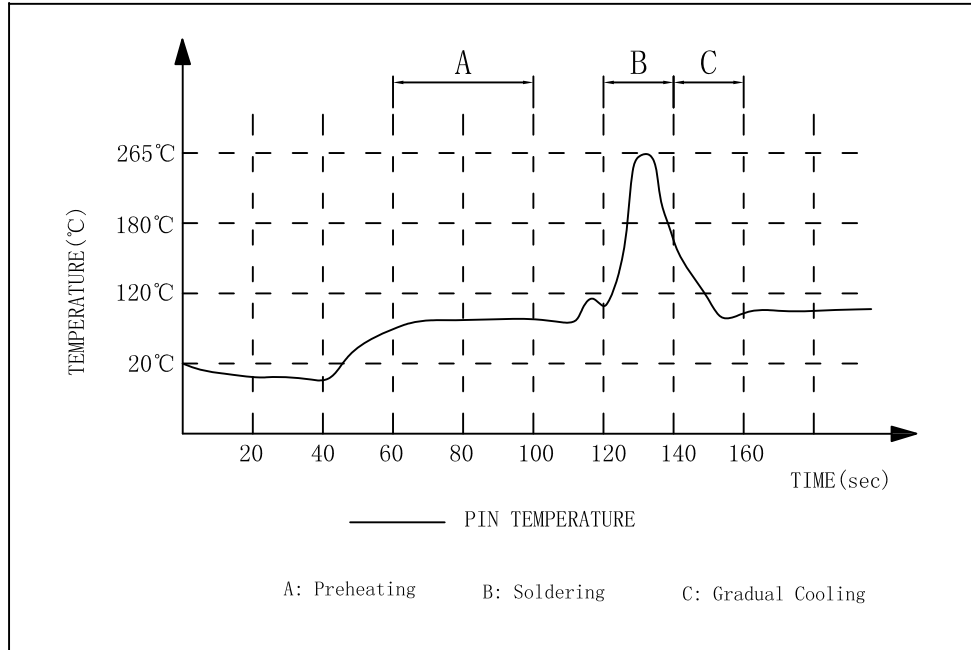
Emitting Color	λ_p (nm)	V _{F@I_F} =20mA	I _{R @V_R} =5V
GREEN	565	1.8~2.6V	10 μ A max
YELLOW	585	1.8~2.6V	10 μ A max

X:X	± 0.25	APPD:	Trxcom Huizhou Trxcom Electronics Co.,Ltd.
X:XX	± 0.20	CHKD:	
X:XXX	± 0.05	DR: SEA	
ANGLES	$\pm 1^\circ$	UNIT: mm	PART NO. : TRJ46401BENL
	SCALE: 2/1	SHEET: 2/4	REV: A DWG NO. : TRC13123145

REV.	ECN NO.	DESCRIPTION	DATE	APPD
A	REL		2013-12-31	

SUGGESTED PROFILE OF WAVE SOLDER FOR ROHS PRODUCT

REV: A
 TEMP(°C): 25
 HUM(%): 65 RH

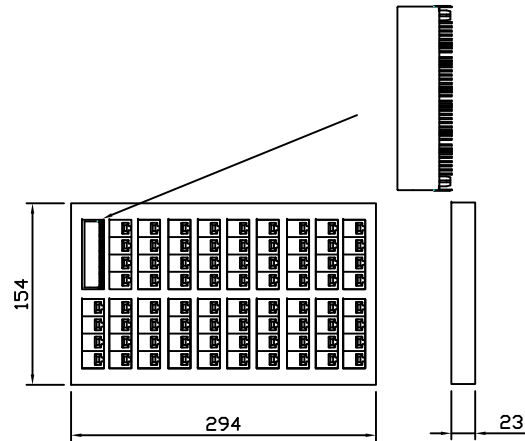


- (1) Tip Temperature: 265°C max
 - (2) Tip Temperature time: 5sec max
- Note: The melting point of Tin: 219°C

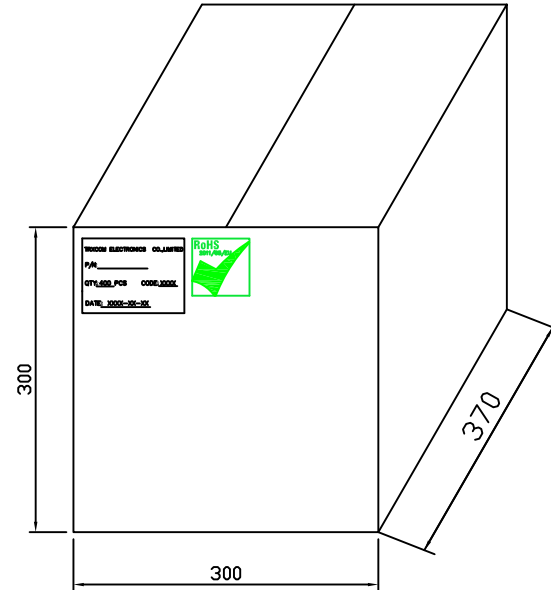
X:X ±0.25	APPD:	Trxcom Huizhou Trxcom Electronics Co.,Ltd.
X:XX ±0.20	CHKD:	
X:XXX ±0.05	DR: SEA	
ANGLES ±1°	UNIT: mm	PART NO.: TRJ46401BENL
	SCALE: 2/1	SHEET: 3/4
	REV: A	DWG NO.: TRC13123145

Packaging:

REV.	ECN NO.	DESCRIPTION	DATE	APPD
A	REL		2013-12-31	



20Tray
→



- ◆ Packaging unit :20pcs/tray
- ◆ Packaging material:PVC
- ◆ Outer carton unit:400pcs/20tray/box
- ◆ Net Weight:7kg
- ◆ Gross Weight:9kg

X:X ±0.25	APPD:	Trxcom Huizhou Trxcom Electronics Co.,Ltd.
X:XX ±0.20	CHKD:	
X:XXX ±0.05	DR: SEA	
ANGLES ±1°	UNIT: mm	TITLE: 1*4 Ports 21.3mm RJ45 PACKING
		PART NO. : TRJ46401BENL
	SCALE: 2/1	SHEET: 4/4
	REV: A	DWG NO. : TRC13123145