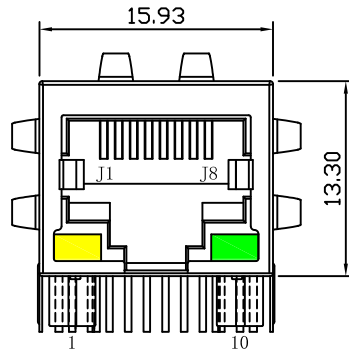
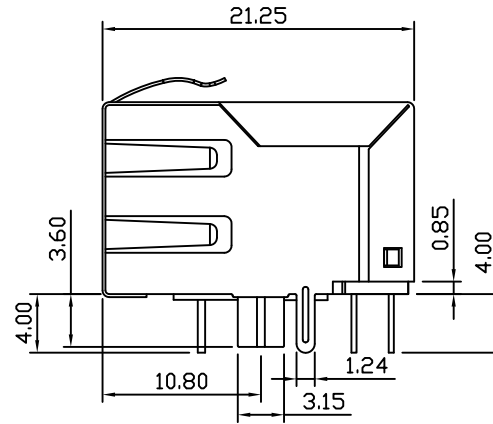


Mechanical:

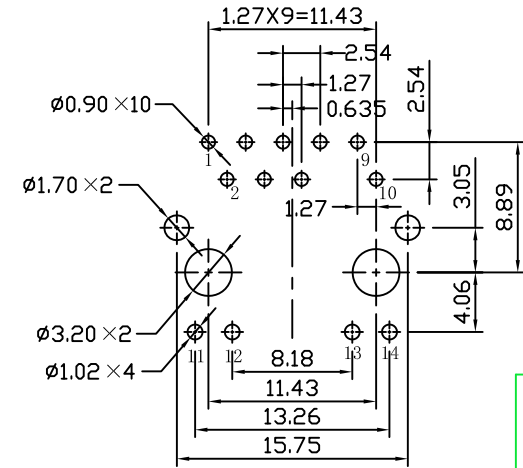
REV.	ECN NO.	DESCRIPTION	DATE	APPD
A	REL		2014-07-21	



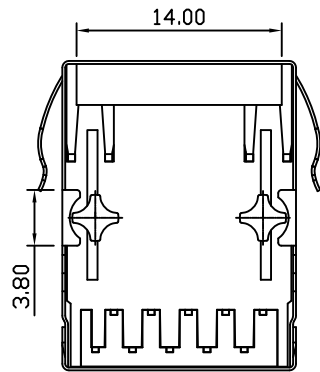
Front Side View



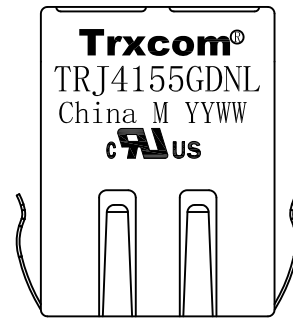
Left Side View



Suggested PCB Layout (Top View)



Bottom Side View



Top Side View

NOTES:

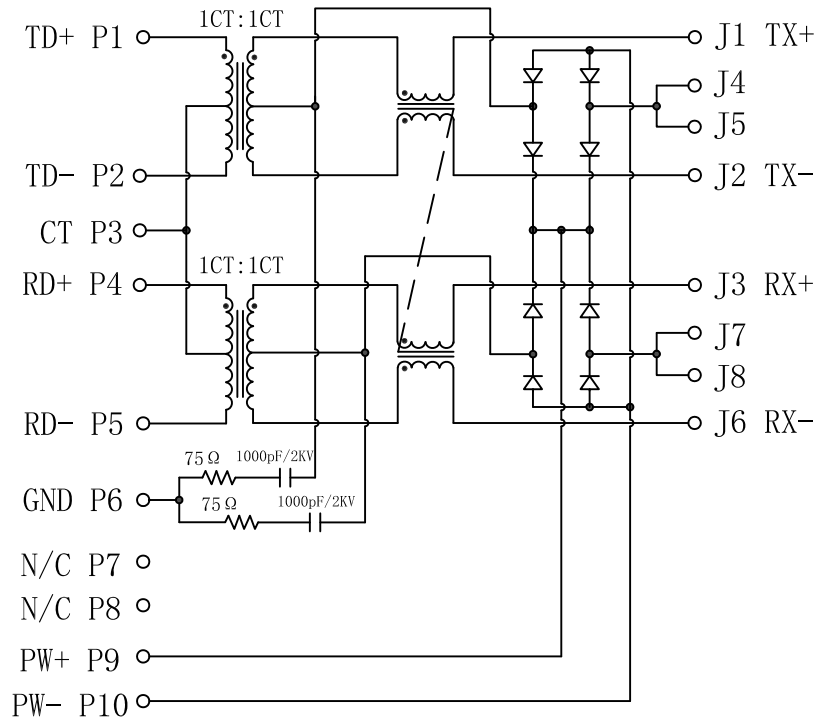
1. Designed to support application, such as SOHO (ADSL modems), LAN-on-Motherboard (LOM), hub and Switches.
2. Meets IEEE802.3af specification
3. Connector Materials:
 Housing: Thermoplastic PBT+30%G.F UL94V-0
 Contact: Phosphor Bronze C5210R-EH Thickness=0.35mm
 Pins: Brass C2680R-H Thickness=0.35mm
 Shield: SUS 201-1/2H Thickness=0.2mm
 Contact plating: Gold 6 micro-inches min. In contact area.
4. Wave solder tip temperature: 265°C Max, 5 Sec Max.
5. UL Certification: File Number E321120.

X:X ±0.25	APPD:	Trxcom HuiZhou Trxcom Electronics Co., ltd
X:XX ±0.20	CHKD:	
X:XXX ±0.05	DR: SEA	TITLE: RJ45 Connector with 10/100 Base-T Integrated Magnetics For PoE Application
ANGLES ±1°	UNIT: mm	PART NO.: TRJ4155GDNL
	SCALE: 2/1	SHEET: 1/4
	REV: A	DWG NO.: TRC14072140

Schematic:

REV.	ECN NO.	DESCRIPTION	DATE	APPD
A	REL		2014-07-21	

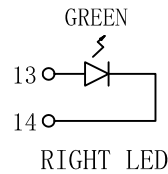
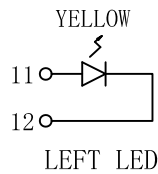
PC BOARD CONNECTIONS



RJ45 CONNECTOR

ELECTRICAL SPECIFICATIONS @25°C

- Turn Ratio:
 (P1-P2:J1-J2) = 1CT:1CT ±3%
 (P4-P5:J3-J6) = 1CT:1CT ±3%
- OCL (@100KHz, 0.1Vrms, 8mADC Bias):
 (P1-P2, P4-P5) 350uH Min
- Insertion Loss:
 0.1-100MHz: -1.1dB Max
- Return Loss:
 0.5-30MHz: -18dB Min
 40MHz: -15.5dB Min
 50MHz: -13.6dB Min
 60-80MHz: -12dB Min
- Cross talk:
 0.1-100MHz: -40dB Typ
- Common Mode Rejection:
 0.1-30MHz: -50dB Typ
 30-60MHz: -40dB Typ
 60-100MHz: -35dB Typ
- Balanced DC line current:
 350mA Max @57VDC continuous
 500mA Max @57VDC for 200 milliseconds
- Isolation: 1500Vrms
- Operating Temperature: -40°C TO +85°C.



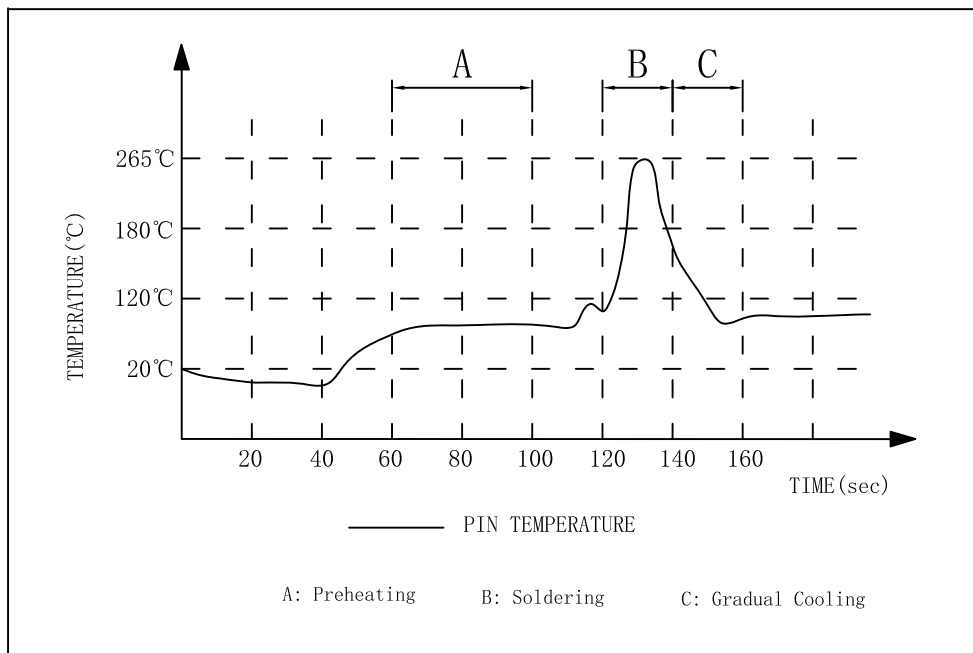
Emitting Color	λ p(nm)	VF@IF=20mA	IR @VR=5V
Green	565	1.8~2.6V	10 μ A max
Yellow	590	1.8~2.6V	10 μ A max

X:X ±0.25	APPD:	Trxcom HuiZhou Trxcom Electronics Co., ltd
X:XX ±0.20	CHKD:	
X:XXX ±0.05	DR: SEA	TITLE: RJ45 Connector with 10/100 Base-T Integrated Magnetics For PoE Application
ANGLES ±1°	UNIT: mm	PART NO.: TRJ4155GDNL
	SCALE: 2/1	SHEET: 2/4
	REV: A	DWG NO.: TRC14072140

Profile of wave solder:

REV.	ECN NO.	DESCRIPTION	DATE	APPD
A	REL		2015-5-25	

SUGGESTED PROFILE OF WAVE SOLDER FOR ROHS PRODUCT

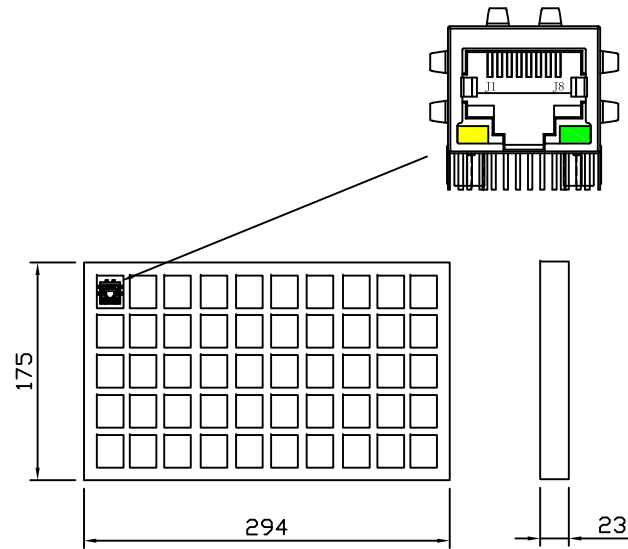


- (1) Tip Temperature: 265°C max
 - (2) Tip Temperature time: 5sec max
- Note: The melting point of Tin: 219°C

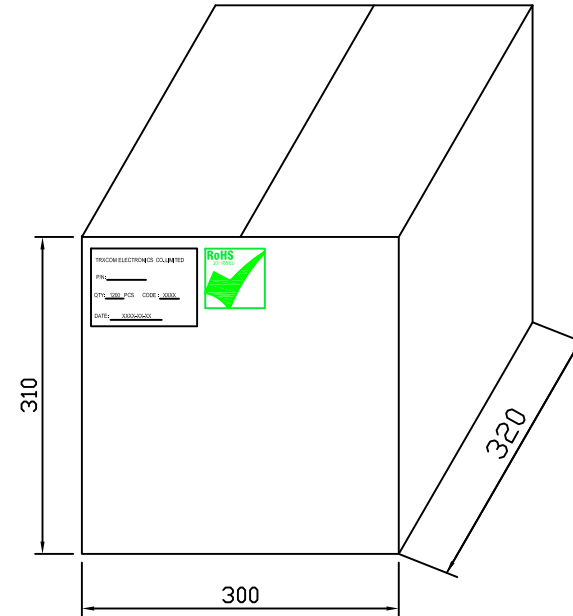
X:X ±0.25	APPD:	Trxcom HuiZhou Trxcom Electronics Co., ltd
X:XX ±0.20	CHKD:	
X:XXX ±0.05	DR: SEA	TITLE: RJ45 Connector with 10/100 Base-T Integrated Magnetics For PoE Application
ANGLES ±1°	UNIT: mm	PART NO.: TRJ4155GDNL
	SCALE: 2/1	SHEET: 3/4
	REV: A	DWG NO.: TRC14072140

Packaging:

REV.	ECN NO.	DESCRIPTION	DATE	APPD
A	REL		2015-5-25	



24Tray →



- ◆ Packaging unit :50pcs/tray
- ◆ Packaging material:PVC
- ◆ Outer carton unit:1200pcs/24tray/box
- ◆ Net Weight:8kg
- ◆ Gross Weight:10kg

X:X	±0.25	APPD:	Trxcom Huizhou Trxcom Electronics Co.,Ltd.	
X:XX	±0.20	CHKD:		
X:XXX	±0.05	DR: SEA	TITLE: 1*1 21.3 RJ45 PACKING	
ANGLES	±1°	UNIT: mm	PART NO. : TRJ4155GDNL	
		SCALE: 2/1	SHEET: 4/4	REV: A
				DWG NO. : TRC14072140