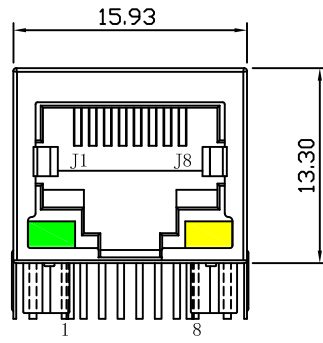
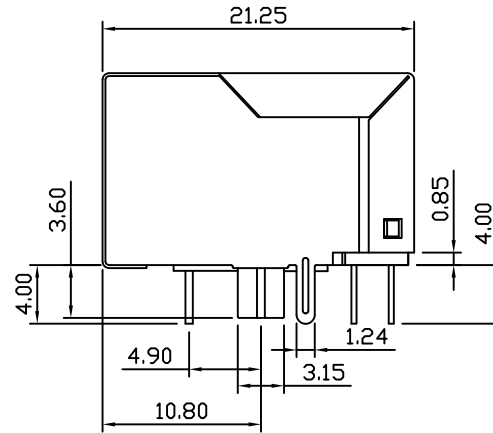


Mechanical:

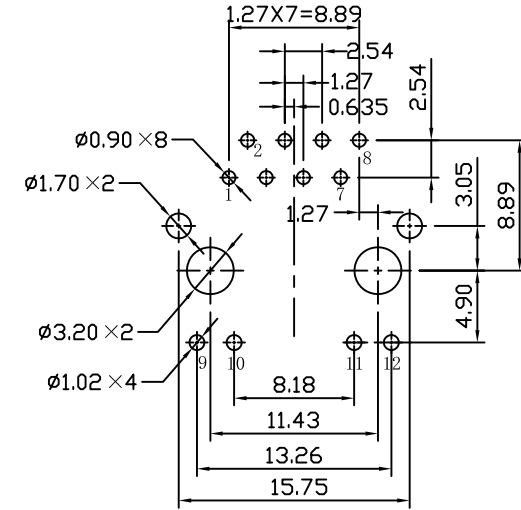
REV.	ECN NO.	DESCRIPTION	DATE	APPD
A	REL		2008-12-23	



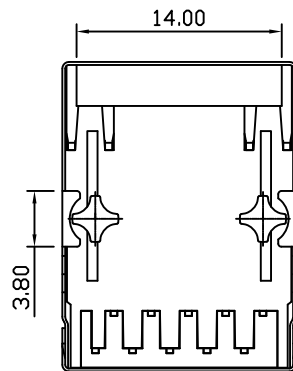
Front Side View



Left Side View



Suggested PCB Layout (Top View)



Bottom Side View



Top Side View

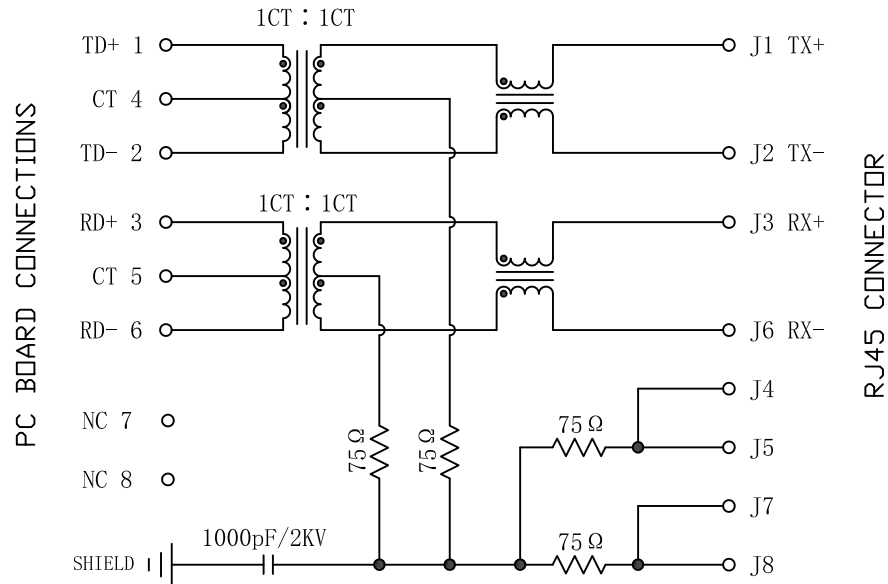
NOTES:

1. Designed to support application, such as SOHO (ADSL modems), LAN-on-Motherboard (LOM), hub and Switches.
2. Meets IEEE 802.3 specification
3. Connector Materials:
 Housing: Thermoplastic PBT+30%G.F UL94V-0
 Contact: Phosphor Bronze C5210R-EH Thickness=0.35mm
 Pins: Brass C2680R-H Thickness=0.35mm
 Shield: SUS 201-1/2H Thickness=0.2mm
 Contact plating: Gold 6 micro-inches min. In contact area.
4. Wave solder tip temperature: 265°C Max, 5 Sec Max.
5. UL Certification: File Number E321120

X:X ±0.25	APPD:	Trxcom Huizhou Trxcom Electronics Co., Ltd
X:XX ±0.20	CHKD:	
X:XXX ±0.05	DR: SEA	TITLE: RJ45 Connector with 10/100 Base-T Integrated Magnetics
ANGLES ±1°	UNIT: mm	PART NO.: TRJ4037FBNL
	SCALE: 2/1	SHEET: 1/4
	REV: A	DWG NO.: TRC08122310

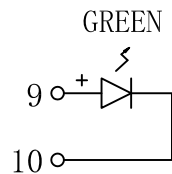
Schematic:

REV.	ECN NO.	DESCRIPTION	DATE	APPD
A	REL		2008-12-23	

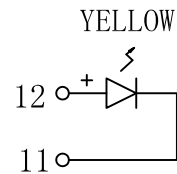


Electrical Specifications @25°C

- Turns Ratio ($\pm 2\%$):
TX=1CT : 1CT RX=1CT : 1CT
- Inductance: 350uH MIN
@100KHz, 100mVrms, 8mA DC Bias
- Insertion Loss:
1~65MHz:-1.0dB MAX
- Return Loss (dB MIN):
1~10MHz:-20 10~30MHz:-16
30~60MHz:-12 60~100MHz:-10
- Crosstalk (dB MIN):
1~30MHz:-40 30~60MHz:-35
60~100MHz:-30
- Common Mode Rejection (dB MIN):
1~50MHz:-30 50~150MHz:-20
- Hipot: 1500Vrms
- Operating Temperature: $-40^{\circ}\text{C} \sim +85^{\circ}\text{C}$.



LEFT LED



RIGHT LED

Emitting Color	λ p(nm)	VF@IF=20mA	IR @VR=5V
GREEN	565	1.8~2.6V	10 μ A max
YELLOW	585	1.8~2.6V	10 μ A max



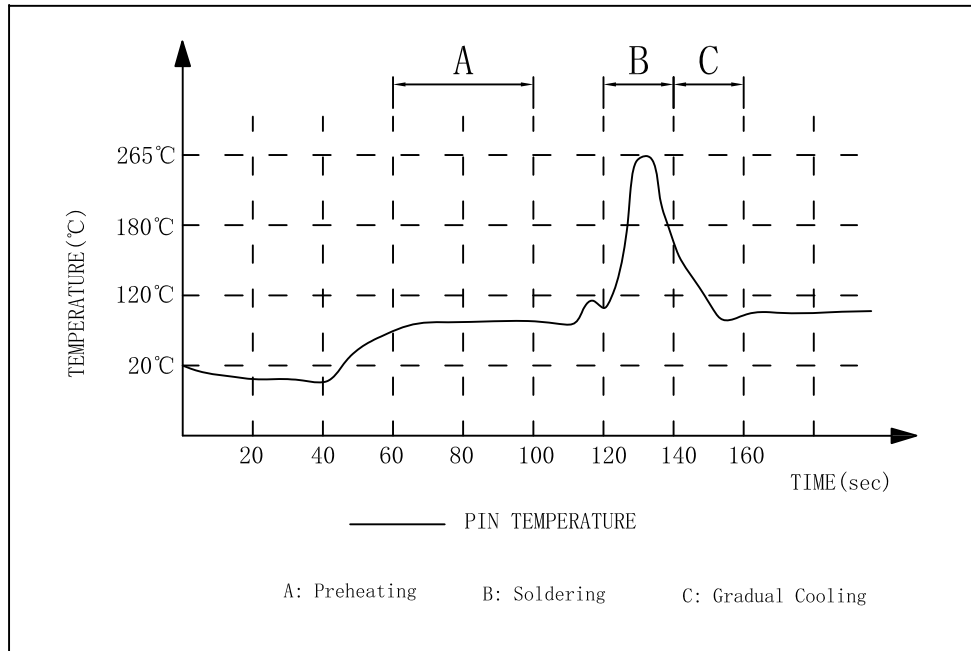
X:X	± 0.25	APPD:	Trxcom Huizhou Trxcom Electronics Co.,Ltd	
X:XX	± 0.20	CHKD:		
X:XXX	± 0.05	DR: SEA	TITLE: RJ45 Connector with 10/100 Base-T Integrated Magnetics	
ANGLES	$\pm 1^{\circ}$	UNIT: mm	PART NO.: TRJ4037FBNL	
	SCALE: 2/1	SHEET: 2/4	REV: A	DWG NO.: TRC08122310

Profile of wave solder:

REV.	ECN NO.	DESCRIPTION	DATE	APPD
A	REL		2008-12-23	

SUGGESTED PROFILE OF WAVE SOLDER FOR ROHS PRODUCT

REV: A
 TEMP(°C): 25
 HUM(%): 65 RH

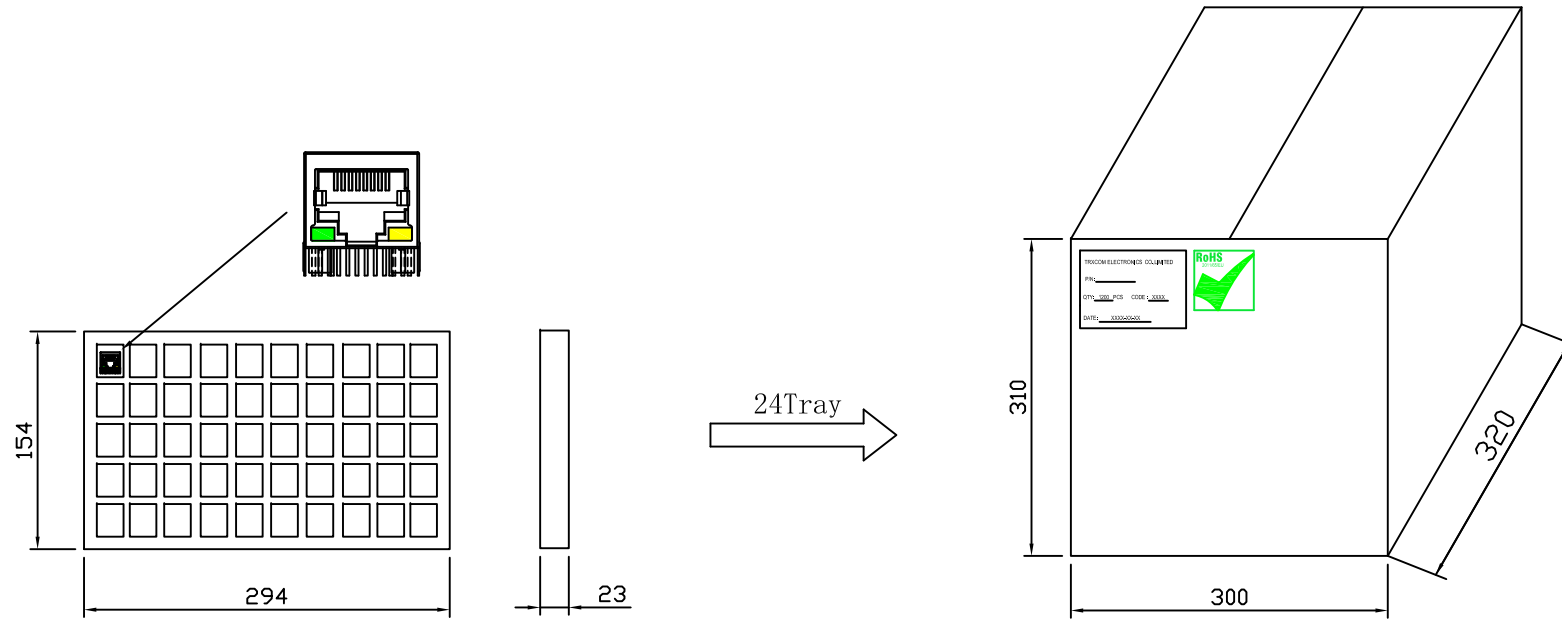


- (1) Tip Temperature: 265°C max
 - (2) Tip Temperature time: 5sec max
- Note: The melting point of Tin: 219°C

X:X ±0.25	APPD:	Trxcom Huizhou Trxcom Electronics Co.,Ltd
X:XX ±0.20	CHKD:	
X:XXX ±0.05	DR: SEA	TITLE: RJ45 Connector with 10/100 Base-T Integrated Magnetics
ANGLES ±1°	UNIT: mm	PART NO. : TRJ4037FBNL
	SCALE: 2/1	SHEET: 3/4
	REV: A	DWG NO. : TRC08122310

Packaging:

REV.	ECN NO.	DESCRIPTION	DATE	APPD
A	REL		2008-12-23	



- ◆ Packaging unit :50pcs/tray
- ◆ Packaging material:PVC
- ◆ Outer carton unit:1200pcs/24tray/box
- ◆ Net Weight:8kg
- ◆ Gross Weight:10kg

X:X	±0.25	APPD:	Trxcom Huizhou Trxcom Electronics Co.,Ltd		
X:XX	±0.20	CHKD:			
X:XXX	±0.05	DR: SEA	TITLE: 1*1 21.3 RJ45 PACKING		
ANGLES	±1°	UNIT: mm	PART NO. : TRJ4037FBNL		
		SCALE: 2/1	SHEET: 4/4	REV: A	DWG NO. : TRC08122310